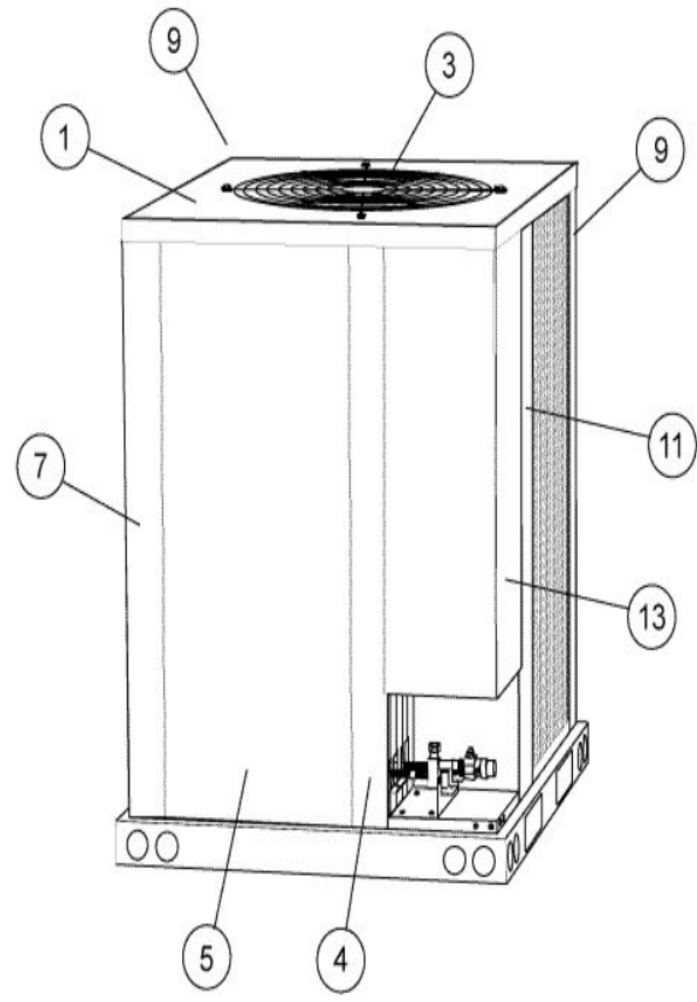


TSA 072-090



Revision Number - 1

*OPTIONAL PARTS-FIELD INSTALLED

Callout	Name	Quantity	Description
	SWITCH-LO AMBIENT Cat #: 38M78 Model/Part #: 38M7801	1	"IN 450 PSIG,OUT 240 PSIG"
	HARNESS, LOW AMBIENT Cat #: LB-112429F Model/Part #: LB-112429F	1	HARNESS, LOW AMBIENT
LB KIT	*** OBS *** ACCESSORY KIT Cat #: 44W17 Model/Part #: LB-107318BA	1	LOW AMBIENT KIT

CABINET PARTS

Callout	Name	Quantity	Description
1	PANEL, TOP Cat #: 64W16 Model/Part #: LB-114190	1	PANEL, TOP
3	GRILLE-GUARD Cat #: 38W87 Model/Part #: 100610-01	1	GRILLE-GUARD
4	MULLION - CONTROL BOX Cat #: 77W31 Model/Part #: LB-115478	1	CONTROL BOX CORNER
5	PANEL - ACCESS COMPRESSOR Cat #: 64W19 Model/Part #: LB-114162	1	PANEL - ACCESS COMPRESSOR
7	MULLION - FRONT (LEFT) Cat #: 64W11 Model/Part #: LB-114157	1	FRONT-LEFT
9	MULLION - CORNER Cat #: 64W13 Model/Part #: LB-115476	2	MULLION - CORNER
11	MULLION, COIL SUPPORT Cat #: 99W21 Model/Part #: 602610-01	1	COIL SUPPORT
13	ASSEMBLY CONTROL BOX COVER Cat #: 58W90 Model/Part #: 604736-01	1	ASSEMBLY CONTROL BOX COVER
17	PANEL - ACCESS ENTRY BOTTOM Cat #: 64W22 Model/Part #: LB-115480	1	POWER ENTRY BOTTOM

CONTROL PANEL PARTS

Callout	Name	Quantity	Description
C1	CAPACITOR Cat #: 39H61 Model/Part #: 39H6101	1	"10MFD,370VAC (575V)"
K1	CONTACTOR Cat #: 60M12 Model/Part #: 60M1201	1	"3PDT,24V (460V,575V,380-420V)"
K1	CONTACTOR Cat #: 38113 Model/Part #: P-8-7716	1	"3PDT,24V (208-230V)"
K10	RELAY Cat #: 56L68 Model/Part #: 56L6801	1	SPDT,24V O.D. FAN
T1	TRANSFORMER Cat #: 27P25 Model/Part #: 51M4401	1	"208/240V,24V SEC,70VA"
T1	TRANSFORMER Cat #: 51M45 Model/Part #: 51M4501	1	"480V PRI,24V SEC,70VA"
T1	TRANSFORMER Cat #: 51M46 Model/Part #: 51M4601	1	"600V PRI,24V SEC,70VA"
TB14	BLOCK, TERMINAL Cat #: 11F49 Model/Part #: 101642-01	1	TERMINAL BLOCK

COOLING PARTS

Callout	Name	Quantity	Description
	HARNESS-COMPRESSOR Cat #: 15M36 Model/Part #: 15M3601	1	MOLDED PLUG
	DRIER Cat #: 38M73 Model/Part #: 38M7301	1	LIQUID LINE
	MOUNT-MOTOR Cat #: 63K62 Model/Part #: 63K6201	1	MOUNT-MOTOR BRKT ASSY
	MOUNT PKG-COMP Cat #: 74J30 Model/Part #: 74J3001PR	1	MOUNT PKG-COMP
	FITTING PRESS TAP Cat #: 86G64 Model/Part #: 86G6401	4	PRESSURE TAP

Callout	Name	Quantity	Description
	VALVE CORE Cat #: 66820 Model/Part #: P-8-1897	4	VALVE, CORE 8075910047
	SHIELD-RAIN Cat #: 32621 Model/Part #: P-8-6142	1	SHIELD, MOTOR
10	CRATE ASSY - COIL ASSY COND Cat #: 46W95 Model/Part #: 601282-13	1	W/MANIFOLD
11	VALVE-BALL SERVICE 1-1/8 X 7/8 Cat #: 77W35 Model/Part #: 102831-06	1	VALVE-BALL SVC 1-1/8 X 7/8(AFTER 06/11)
11	VALVE-BALL Cat #: 15M40 Model/Part #: 15M4001	1	VALVE, BALL (BEFORE 06/11)
11	COMPRESSOR Cat #: 79M90 Model/Part #: 79M9001	1	"7 TON,208-230/60/3,COPE"
11	COMPRESSOR Cat #: 79M91 Model/Part #: 79M9101	1	"7 TON,380-420/50/3,460/60/3,COPE"
11	COMPRESSOR Cat #: 79M92 Model/Part #: 79M9201	1	"7 TON,575/60/3,COPE"
12	VALVE-SERVICE Cat #: 68J11 Model/Part #: 68J1101	1	LIQUID LINE 5/8"
13	FAN Cat #: 12F20 Model/Part #: 12F2001	1	"1/2""BORE,24""DIA,4 BLADE"
B4	MOTOR-FAN Cat #: 27J07 Model/Part #: 27J0701	1	"1/2HP,1075RPM,380 & 460/60/1"
B4	MOTOR-FAN Cat #: 27J30 Model/Part #: 27J3001	1	"1/2HP,1075RPM,208-230/60/1"
B4	MOTOR-FAN Cat #: 27J31 Model/Part #: 27J3101	1	"1/2HP, 1075RPM,575/60/1"
HR1	HEATER-CRANKCASE Cat #: 93M10 Model/Part #: 100499-07	1	"70 WATT, 575 VOLT"
HR1	HEATER-CRANKCASE Cat #: 93M11 Model/Part #: 100499-08	1	"40 WATT, 480 VOLT"
HR1	HEATER-CRANKCASE Cat #: 93M13 Model/Part #: 100499-10	1	"40 WATT, 240 VOLT"
S24	SWITCH, PRESSURE LOW R410A	1	SWITCH, LOSS OF CHARGE

Callout	Name	Quantity	Description
	Cat #: 38M76 Model/Part #: 38M7601		
S4	SWITCH-HI PRESS-MANUAL Cat #: 42W41 Model/Part #: 100103-03	1	CUTOUT 590 PSIG
S4	SWITCH-HI PRESS Cat #: 69M18 Model/Part #: 69M1801	1	CUTOUT 640 PSIG

Note:

There are no technical notes for this product.