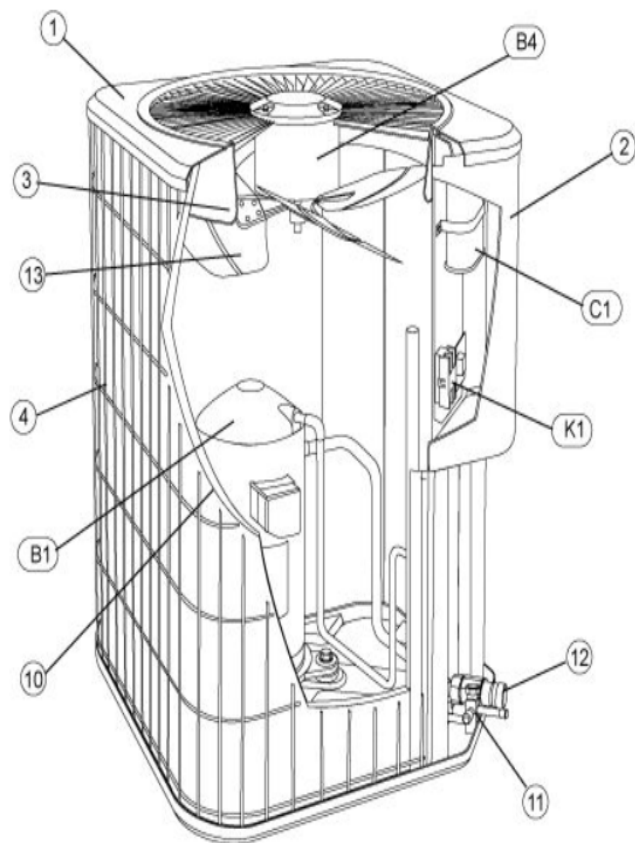


COOLING-CONDENSING  
JULY, 2005

### TSA SERIES



Revision Number - 10

## \*OPTIONAL PARTS-FIELD INSTALLED

Callout	Name	Quantity	Description
	SWITCH-PRESS Cat #: 84M96 Model/Part #: 100216-01	1	"IN 55 PSIG,OUT 25 PSIG"
LC KIT	LOSS OF CHARGE KIT Cat #: 84M23 Model/Part #: LB-110135A	1	INC NEXT PART

## CABINET PARTS

Callout	Name	Quantity	Description
	NUT-CAP Cat #: 85M56 Model/Part #: 100094-01	4	TOP PANEL
	PUSH PIN-MESHING Cat #: 42W91 Model/Part #: 100230-06	6	PIN-PUSH
	MESHING-COIL Cat #: 26W59 Model/Part #: 100231-42	1	"39"" X 109"" (CUT OT FIT)"
	COVER Cat #: 49W81 Model/Part #: 102098-01	1	PATCH PLATE
	COVER Cat #: 69J03 Model/Part #: 69J0301	1	SOUND-COMPRESSOR (OPTIONAL)
	LEG Cat #: 94J45 Model/Part #: LB-87156A	1	BASE(SET OF 4)
1	PANEL-TOP Cat #: 49W78 Model/Part #: 102075-01	1	TOP - PANEL 28 X 28
2	COVER-CONTROL BOX Cat #: 49W75 Model/Part #: 102072-01	1	COVER - CONTROL PANEL
3	ORIFICE Cat #: 98M16 Model/Part #: 100001-01	1	"22""
4	GUARD Cat #: 26W18 Model/Part #: 100315-09	1	OUTDOOR COIL

**CONTROL PANEL PARTS**

<b>Callout</b>	<b>Name</b>	<b>Quantity</b>	<b>Description</b>
C1	CAPACITOR-FAN Cat #: 22W78 Model/Part #: 100600-01	1	"5MFD, 370VAC (460V & 575V)"
C1	CAPACITOR-RUN Cat #: 22W80 Model/Part #: 100600-03	1	"10MFD,370VAC (208/230V)"
K1	CONTACTOR Cat #: 95M57 Model/Part #: 100438-03	1	"3PDT,24V"
T4	TRANSFORMER Cat #: 13H79 Model/Part #: 13H7901	1	"575V PRI, 460V SEC, 1.5 KVA"

**COOLING PARTS**

<b>Callout</b>	<b>Name</b>	<b>Quantity</b>	<b>Description</b>
	RELAY-OVERLOADCOMP-INTERNAL Cat #: Model/Part #:	1	
	CORE-VALVE Cat #: 95M48 Model/Part #: 100210-01	1	CORE - VALVE
	DRIER Cat #: 95M52 Model/Part #: 100214-03	1	"LIQUID LINE(OPT REPLACEMENT) (FOOTNOTE
	FITTING-PRESS TAP Cat #: 95M47 Model/Part #: 100520-01	1	PRESSURE TAP
	MOUNT PKG-COMP Cat #: 54M63 Model/Part #: 15J1301PR	1	MOUNT PKG-COMP
	HARNESS-COMPRESSOR Cat #: 15M36 Model/Part #: 15M3601	1	MOLDED PLUG
	DRIER Cat #: 88K45 Model/Part #: 88K4501	1	SUCTION LINE(OPT REPLACEMENT)
10	COIL-OUTDOOR Cat #: 36W55 Model/Part #: LB-87170DR	1	W/MANIFOLD
11	VALVE-SERVICE Cat #: 10W32 Model/Part #: 100432-01	1	"LIQUID-LINE,3/8""

Callout	Name	Quantity	Description
12	VALVE-SERVICE Cat #: 31W74 Model/Part #: 100609-03	1	"SUCTION LINE,7/8" X 1 1/8"
13	FAN Cat #: 98M21 Model/Part #: 100060-10	1	"1/2"BORE,22"DIA,4 BLADE (208-230 VOL
13	FAN Cat #: 30W24 Model/Part #: 100060-21	1	"1/2"BORE,22"DIA,4 BLADE (460 & 575 V
B1	COMPRESSOR Cat #: 18W53 Model/Part #: 100040-19	1	"4.5 TON,208- 230/60/3,COPE (FOOTNOTE 1)
B1	COMPRESSOR Cat #: 18W54 Model/Part #: 100040-20	1	"4.5 TON,460/60/3,COPE (FOOTNOTE 1)"
B1	COMPRESSOR Cat #: 22W49 Model/Part #: 100040-22	1	"4.5 TON,575/60/3,COPE (FOOTNOTE 1)"
B4	MOTOR-FAN Cat #: 97M51 Model/Part #: 100483-05	1	"1/4HP,825RPM,208- 230/60/1 (208- 230V)"
B4	MOTOR-FAN Cat #: 25W15 Model/Part #: 100483-09	1	"1/4HP, 825RPM,460/60/1 (460V & 575V)"
HR1	HEATER-CRANKCASE Cat #: 93M05 Model/Part #: 100499-02	1	"40 WATT, 240 VOLT"
HR1	HEATER-CRANKCASE Cat #: 93M14 Model/Part #: 100499-11	1	"40 WATT, 480 VOLT"
HR1	HEATER-CRANKCASE Cat #: 93M15 Model/Part #: 100499-12	1	"70 WATT, 575 VOLT"
S4	SWITCH-HI PRESS-MANUAL Cat #: 42W41 Model/Part #: 100103-03	1	CUTOUT 590 PSIG
S40	THERMOSTAT SPST OPEN@70°F CLOSE@50°F 40" Cat #: 95M54 Model/Part #: 100503-01	1	"CC HEATER, OPEN 70F, CLOSE 50F (208-2

**Note:**

Note1: Compressor uses POE oil. The filter drier MUST BE replaced at time of compressor change. Please advise customer of this requirement at time of order. (The filter drier is excluded from the Lennox Quality Care Limited Warranty).