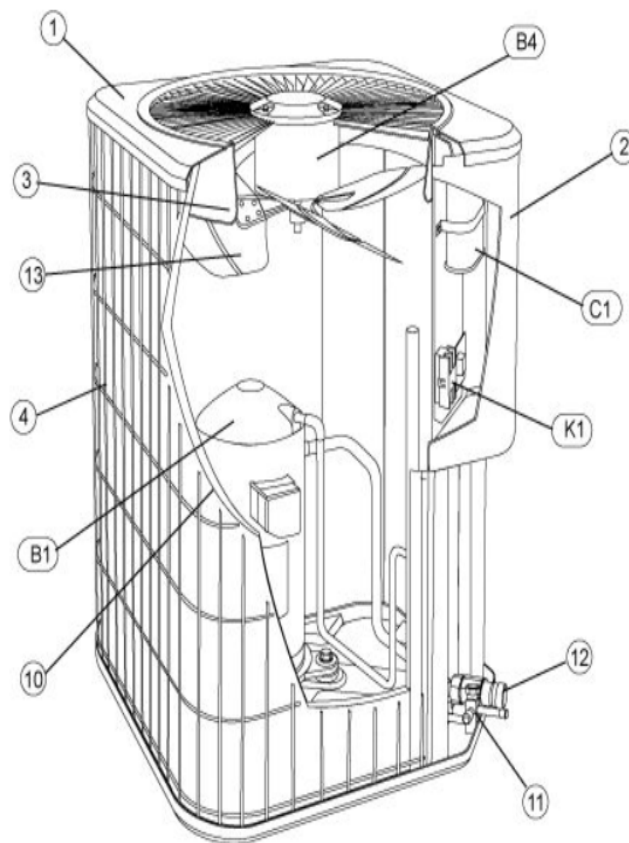


COOLING-CONDENSING
JULY, 2005

TSA SERIES



Revision Number - 2

CABINET PARTS

Callout	Name	Quantity	Description
	NUT-CAP Cat #: 85M56 Model/Part #: 100094-01	4	TOP PANEL
	PUSH PIN-MESHING Cat #: 42W17 Model/Part #: 100230-05	6	PIN: PUSH
	MESHING-COIL Cat #: 26W59 Model/Part #: 100231-42	1	"39"" X 109"" (CUT TO FIT)"
	COVER Cat #: 69J03 Model/Part #: 69J0301	1	SOUND-COMPRESSOR (OPTIONAL)
	LEG Cat #: 94J45 Model/Part #: LB-87156A	1	LEG
	COVER Cat #: 88M42 Model/Part #: LB-93297G	1	PATCH PLATE (QUARTZ GRAY)
1	PANEL-TOP Cat #: 21W11 Model/Part #: LB-109142G	1	PANEL-TOP (32.25 X 32.25)
2	COVER-CONTROL BOX Cat #: 88M46 Model/Part #: LB-86268G	1	COVER-CONTROL PANEL (QUARTZ GRAY)
3	ORIFICE Cat #: 32W55 Model/Part #: 100001-02	1	"26""
4	GUARD Cat #: 26W60 Model/Part #: 100315-12	1	OUTDOOR COIL

CONTROL PANEL PARTS

Callout	Name	Quantity	Description
C1	CAPACITOR-MOTOR Cat #: 22W79 Model/Part #: 100600-02	1	"7.5MFD,370VAC (460V)"
C1	CAPACITOR-RUN Cat #: 22W80 Model/Part #: 100600-03	1	"10MFD,370VAC (208-230)"

Callout	Name	Quantity	Description
K1	CONTACTOR Cat #: 95M57 Model/Part #: 100438-03	1	"3 PDT,24V"

COOLING PARTS

Callout	Name	Quantity	Description
	RELAY-OVERLOADCOMP-INTERNAL Cat #: Model/Part #:	1	
	CORE-VALVE Cat #: 95M48 Model/Part #: 100210-01	2	CORE - VALVE
	DRIER Cat #: 95M52 Model/Part #: 100214-03	1	"LIQUID LINE(OPT REPLACEMENT) (FOOTNOTE
	KIT-RFC Cat #: 11W11 Model/Part #: 100484-40	1	RFC (.093)
	FITTING-PRESS TAP Cat #: 95M47 Model/Part #: 100520-01	1	PRESSURE TAP
	MOUNT PKG-COMP Cat #: 54M63 Model/Part #: 15J1301PR	1	MOUNT PKG-COMP
	HARNESS-COMPRESSOR Cat #: 15M36 Model/Part #: 15M3601	1	MOLDED PLUG
	DRIER Cat #: 88K45 Model/Part #: 88K4501	1	SUCTION LINE(OPT REPLACEMENT)
10	COIL-OUTDOOR Cat #: 24W94 Model/Part #: LB-8717ODD	1	W/MANIFOLD
11	VALVE-SERVICE Cat #: 10W32 Model/Part #: 100432-01	1	"LIQUID-LINE, 3/8""
12	VALVE-BALL SERVICE 1-1/8 X 7/8 Cat #: 77W35 Model/Part #: 102831-06	1	"SUCTION LINE, 7/8"" X 1 1/8""
13	FAN Cat #: 21W10 Model/Part #: 100060-11	1	"1/2""BORE, 26""DIA, 4 BLADE"
B1	COMPRESSOR Cat #: 28W85 Model/Part #: 100040-26	1	"4.5TON, 208- 230/60/3, COPE# (FOOTNOTE 1

Callout	Name	Quantity	Description
B1	COMPRESSOR Cat #: 28W86 Model/Part #: 100040-27	1	"4.5 TON, 460/60/3, COPE (FOOTNOTE 1)"
B4	MOTOR-FAN Cat #: 36W61 Model/Part #: 100483-18	1	"1/3HP, 825RPM, 460/60/1"
B4	MOTOR-FAN Cat #: 69W97 Model/Part #: 100483-30	1	"1/3HP, 825RPM, 208-230/60/1"
HR1	HEATER-CRANKCASE Cat #: 93M06 Model/Part #: 100499-03	1	"70 WATT, 240 VOLT"
HR1	HEATER-CRANKCASE Cat #: 43W58 Model/Part #: 100499-21	1	"40 WATT, 480 VOLT"
S4	SWITCH-HI PRESS-MANUAL Cat #: 42W41 Model/Part #: 100103-03	1	CUTOUT 590 PSIG
S40	THERMOSTAT SPST OPEN@70°F CLOSE@50°F 40" Cat #: 95M54 Model/Part #: 100503-01	1	"CC HTR, O-70F, C- 50F# (208-230V ONLY)
S87	SWITCH-LO PRESS-AUTO Cat #: 23W26 Model/Part #: 100087-06	1	"IN 40 PSIG, OUT 25 PSIG"

Note:

Note1: Compressor uses POE oil. The filter drier MUST BE replaced at time of compressor change. Please advise customer of this requirement at time of order. (The filter drier is excluded from the Lennox Quality Care Limited Warranty).