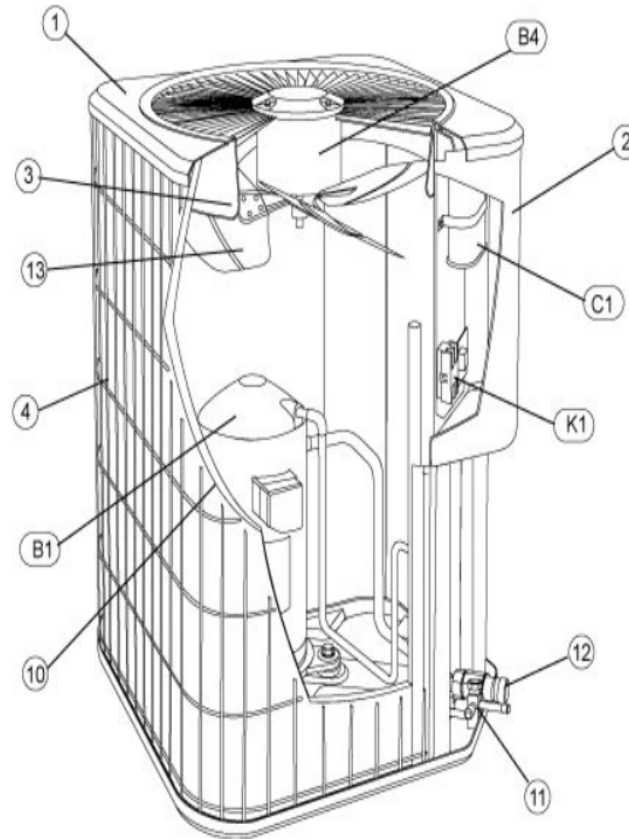


COOLING-CONDENSING
JULY, 2005

TSA SERIES



Revision Number - 2

*OPTIONAL PARTS-FIELD INSTALLED

Callout	Name	Quantity	Description
	VALVE-SADDLE Cat #: 65G91 Model/Part #: 65G9101	1	"3/8""
	SWITCH-HI PRESS Cat #: 86H31 Model/Part #: 86H3101	1	OUT 410+10PSIG
	SWITCH-LO PRESS Cat #: 87265 Model/Part #: P-8-10978	1	"IN 55+5PSIG,OUT 25+5PSIG"
HP KIT	HI PRESS CUTOUT KIT Cat #: 94J46 Model/Part #: LB-87619A	1	INC NEXT 2 PARTS
LC KIT	LOSS OF CHARGE KIT Cat #: 94J47 Model/Part #: LB-87620A	1	INC NEXT 2 PARTS

CABINET PARTS

Callout	Name	Quantity	Description
	NUT-CAP Cat #: 85M56 Model/Part #: 100094-01	4	TOP PANEL
	MESHING-COIL Cat #: 26W59 Model/Part #: 100231-42	1	"39"" X 109"" (CUT OT FIT)"
	COVER Cat #: 69J03 Model/Part #: 69J0301	1	SOUND-COMPRESSOR (OPTIONAL)
	LEG Cat #: 94J45 Model/Part #: LB-87156A	1	BASE(SET OF 4)
	PUSH PIN-MESHING Cat #: 26W29 Model/Part #: R100230-01	6	(575V)
1	PANEL-TOP Cat #: 88M44 Model/Part #: LB-86264G	1	TOP PANEL 28X28 (QUARTZ GRAY)
2	COVER-CONTROL BOX Cat #: 88M46 Model/Part #: LB-86268G	1	COVER-CONTROL PANEL (QUARTZ GRAY)

Callout	Name	Quantity	Description
3	ORIFICE Cat #: 98M16 Model/Part #: 100001-01	1	"22""
4	GUARD Cat #: 88M52 Model/Part #: 100315-06	1	OUTDOOR COIL (575V)
4	GUARD Cat #: 26W18 Model/Part #: 100315-09	1	OUTDOOR COIL (208-230V & 460V)

CONTROL PANEL PARTS

Callout	Name	Quantity	Description
C1	CAPACITOR-FAN Cat #: 22W78 Model/Part #: 100600-01	1	"5MFD, 370VAC (460V & 575V)"
C1	CAPACITOR-RUN Cat #: 22W80 Model/Part #: 100600-03	1	"10MFD,370VAC (208-230V)"
K1	CONTACTOR Cat #: 95M57 Model/Part #: 100438-03	1	"3PDT,24V"
T5	TRANSFORMER Cat #: 13H79 Model/Part #: 13H7901	1	"575V PRI, 460V SEC, 1.5 KVA"

COOLING PARTS

Callout	Name	Quantity	Description
	RELAY-OVERLOADCOMP-INTERNAL Cat #: Model/Part #:	1	
	CORE-VALVE Cat #: 95M48 Model/Part #: 100210-01	1	CORE - VALVE
	RESTRICTOR ASSY Cat #: 11W10 Model/Part #: 100484-38	1	RFC (.091) (208-230V & 460V)
	FITTING-PRESS TAP Cat #: 95M47 Model/Part #: 100520-01	1	PRESSURE TAP
	DRIER Cat #: 12L71 Model/Part #: 12L7101	1	LIQUID LINE(OPT REPLACEMENT)
	MOUNT PKG-COMP	1	MOUNT PKG-COMP

Callout	Name	Quantity	Description
	Cat #: 54M63 Model/Part #: 15J1301PR		
	HARNESS-COMPRESSOR Cat #: 15M36 Model/Part #: 15M3601	1	MOLDED PLUG
	DRIER Cat #: 88K45 Model/Part #: 88K4501	1	SUCTION LINE(OPT REPLACEMENT)
10	COIL-OUTDOOR Cat #: 28W56 Model/Part #: LB-87170DH	1	W/MANIFOLD (208-230V & 460V)
10	COIL-OUTDOOR Cat #: 36W54 Model/Part #: LB-87170DP	1	W/MANIFOLD (575V)
11	VALVE-SERVICE Cat #: 10W32 Model/Part #: 100432-01	1	"LIQUID-LINE,3/8""
12	VALVE-SERVICE Cat #: 88M11 Model/Part #: 100280-01	1	"SUCTION LINE,7/8""
13	FAN Cat #: 30W24 Model/Part #: 100060-21	1	"1/2""BORE,22""DIA,4 BLADE"
B1	COMPRESSOR Cat #: 23W95 Model/Part #: 100052-19	1	"3.5 TON,208-230/60/3,COPE"
B1	COMPRESSOR Cat #: 27W54 Model/Part #: 100052-20	1	"3.5 TON, 460/60/3, COPE"
B1	COMPRESSOR Cat #: 29W66 Model/Part #: 100052-21	1	"3.5 TON,575/60/3,COPE"
B4	MOTOR-FAN Cat #: 97M51 Model/Part #: 100483-05	1	"1/4HP,825RPM,208-230/60/1 (208-230V)"
B4	MOTOR-FAN Cat #: 25W15 Model/Part #: 100483-09	1	"1/4HP,825RPM,460/60/1 (460V & 575V)"
HR1	HEATER-CRANKCASE Cat #: 93M05 Model/Part #: 100499-02	1	"40 WATT, 240 VOLT"
HR1	HEATER-CRANKCASE Cat #: 93M14 Model/Part #: 100499-11	1	"40 WATT, 480 VOLT"

Note:

There are no technical notes for this product.