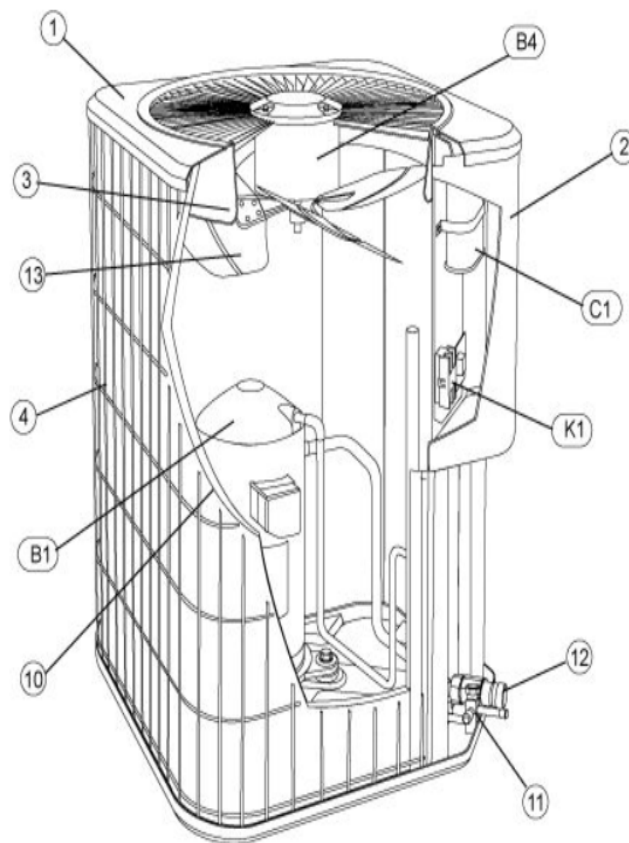


COOLING-CONDENSING  
JULY, 2005

### TSA SERIES



Revision Number - 4

## \*OPTIONAL PARTS-FIELD INSTALLED

Callout	Name	Quantity	Description
	SWITCH-PRESS Cat #: 84M96 Model/Part #: 100216-01	1	SWITCH - LOSS OF CHARGE
LC KIT	LOSS OF CHARGE KIT Cat #: 84M23 Model/Part #: LB-110135A	1	INC NEXT PART

## CABINET PARTS

Callout	Name	Quantity	Description
	NUT-CAP Cat #: 85M56 Model/Part #: 100094-01	4	TOP PANEL
	PUSH PIN-MESHING Cat #: 42W17 Model/Part #: 100230-05	6	PIN: PUSH
	MESHING-COIL Cat #: 26W30 Model/Part #: 100231-09	1	"36"" X 90"" (CUT OT FIT)"
	COVER Cat #: 69J03 Model/Part #: 69J0301	1	SOUND-COMPRESSOR (OPTIONAL)
	LEG Cat #: 94J45 Model/Part #: LB-87156A	1	BASE(SET OF 4)
1	PANEL-TOP 28 X 28 Cat #: 14V64 Model/Part #: 614379-01	1	PANEL-TOP 28 X 28
2	COVER-CONTROL BOX Cat #: 49W76 Model/Part #: 102073-01	1	COVER - CONTROL PANEL
4	GUARD-OUTDOOR COIL Cat #: 61W10 Model/Part #: 102466-02	1	GUARD-OUTDOOR COIL

## CONTROL PANEL PARTS

Callout	Name	Quantity	Description
C1	CAPACITOR-FAN	1	"5MFD,370VAC

Callout	Name	Quantity	Description
	Cat #: 22W78 Model/Part #: 100600-01		(460V)"
C1	CAPACITOR-RUN Cat #: 22W80 Model/Part #: 100600-03	0	"10MFD,370VAC (208-230V)"
K1	CONTACTOR Cat #: 95M57 Model/Part #: 100438-03	1	"3PDT,24V"

## COOLING PARTS

Callout	Name	Quantity	Description
	RELAY-OVERLOADCOMP-INTERNAL Cat #: Model/Part #:	1	
	CORE-VALVE Cat #: 95M48 Model/Part #: 100210-01	1	CORE - VALVE
	DRIER Cat #: 95M52 Model/Part #: 100214-03	1	"LIQUID LINE(OPT REPLACEMENT) (FOOTNOTE
	FITTING-PRESS TAP Cat #: 95M47 Model/Part #: 100520-01	1	PRESSURE TAP
	MOUNT PKG-COMP Cat #: 54M63 Model/Part #: 15J1301PR	1	MOUNT PKG-COMP
	HARNESS-COMPRESSOR Cat #: 15M36 Model/Part #: 15M3601	1	15M3601 HARNESS- MOLDED PLUG 3PH
	DRIER Cat #: 88K45 Model/Part #: 88K4501	1	SUCTION LINE(OPT REPLACEMENT)
10	COIL-OUTDOOR Cat #: 36W53 Model/Part #: LB-87170DN	1	W/MANIFOLD
11	VALVE SERVICE 3/8 Cat #: 10M23 Model/Part #: 103881-01	1	VALVE SERVICE 3/8 - LIQUIE
12	VALVE-BALL SERVICE 7/8 X 7/8 Cat #: 77W34 Model/Part #: 102831-05	1	VALVE SERVICE 7/8 - SUCTION
13	FAN Cat #: 30W24 Model/Part #: 100060-21	1	FAN 22 INCH - 4 BLADE 32 PITCH CCW
B1	COMPRESSOR ZP36K5E-TF5	0	"3 TON,208-

<b>Callout</b>	<b>Name</b>	<b>Quantity</b>	<b>Description</b>
	Cat #: 18W49 Model/Part #: 100040-15		230/60/3,COPE (FOOTNOTE 1)"
B1	COMPRESSOR ZP36K5E-TFD Cat #: 18W50 Model/Part #: 100040-16	1	"3 TON,460/60/3,COPE (FOOTNOTE 1)"
B4	MOTOR-FAN Cat #: 97M51 Model/Part #: 100483-05	0	"1/4HP,825RPM,208- 230/60/1"
B4	MOTOR-FAN Cat #: 25W15 Model/Part #: 100483-09	1	"1/4HP,825RPM,460/60/1"
HR1	HEATER-CRANKCASE Cat #: 93M05 Model/Part #: 100499-02	0	"40 WATT, 240 VOLT"
HR1	HEATER-CRANKCASE Cat #: 93M14 Model/Part #: 100499-11	1	"40 WATT, 480 VOLT"
S4	SWITCH-HI PRESS-AUTO Cat #: 93W01 Model/Part #: 100087-12	1	SWITCH-HI PRESS NO 590
S40	THERMOSTAT SPST OPEN@70°F CLOSE@50°F 40" Cat #: 95M54 Model/Part #: 100503-01	0	"CC HEATER, OPEN 70F, CLOSE 50F (208-23

**Note:**

Note1: Compressor uses POE oil. The filter drier MUST BE replaced at time of compressor change. Please advise customer of this requirement at time of order. (The filter drier is excluded from the Lennox Quality Care Limited Warranty).