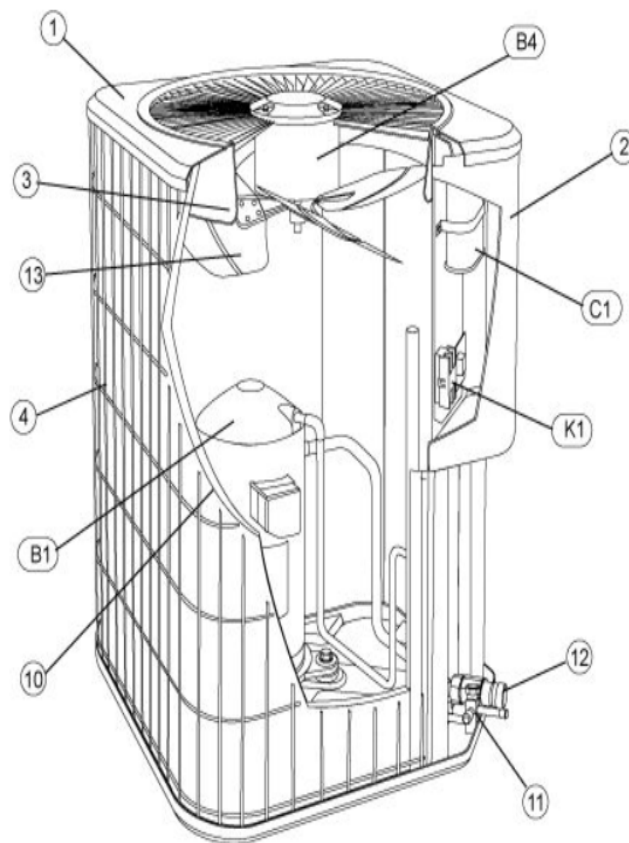


COOLING-CONDENSING  
JULY, 2005

### TSA SERIES



Revision Number - 1

## \*OPTIONAL PARTS-FIELD INSTALLED

Callout	Name	Quantity	Description
	SWITCH-PRESS Cat #: 84M96 Model/Part #: 100216-01	1	"IN 55 PSIG,OUT 25 PSIG"
LC KIT	LOSS OF CHARGE KIT Cat #: 84M23 Model/Part #: LB-110135A	1	INC NEXT PART

## CABINET PARTS

Callout	Name	Quantity	Description
	NUT-CAP Cat #: 85M56 Model/Part #: 100094-01	4	TOP PANEL
	PUSH PIN-MESHING Cat #: 42W17 Model/Part #: 100230-05	6	PIN: PUSH
	MESHING-COIL Cat #: 26W30 Model/Part #: 100231-09	1	"36"" X 90"" (CUT OT FIT)"
	COVER Cat #: 69J03 Model/Part #: 69J0301	1	SOUND- COMPRESSOR (OPTIONAL)
	LEG Cat #: 94J45 Model/Part #: LB-87156A	1	BASE(SET OF 4)
1	PANEL-TOP Cat #: 88M43 Model/Part #: LB-86265G	1	TOP PANEL (24X24)(QUARTZ GRAY)
2	COVER-CONTROL BOX Cat #: 88M46 Model/Part #: LB-86268G	1	COVER- CONTROL PANEL (QUARTZ GRAY)
3	ORIFICE Cat #: 95M53 Model/Part #: 100001-03	1	"18""
4	GUARD- COIL Cat #: 88M49 Model/Part #: 100315-03	1	OUTDOOR COIL

**CONTROL PANEL PARTS**

Callout	Name	Quantity	Description
C1	CAPACITOR-MOTOR Cat #: 22W79 Model/Part #: 100600-02	1	"7.5MFD,370VAC"
K1	CONTACTOR Cat #: 95M57 Model/Part #: 100438-03	1	"3PDT,24V"

**COOLING PARTS**

Callout	Name	Quantity	Description
	RELAY-OVERLOADCOMP-INTERNAL Cat #: Model/Part #:	1	
	CORE-VALVE Cat #: 95M48 Model/Part #: 100210-01	1	CORE - VALVE
	DRIER Cat #: 95M52 Model/Part #: 100214-03	1	"LIQUID LINE(OPT REPLACEMENT) (FOOTNOTE
	FITTING-PRESS TAP Cat #: 95M47 Model/Part #: 100520-01	1	PRESSURE TAP
	MOUNT PKG-COMP Cat #: 54M63 Model/Part #: 15J1301PR	1	MOUNT PKG-COMP
	HARNESS-COMPRESSOR Cat #: 15M36 Model/Part #: 15M3601	1	MOLDED PLUG
	DRIER Cat #: 88K45 Model/Part #: 88K4501	1	SUCTION LINE(OPT REPLACEMENT)
10	COIL-OUTDOOR Cat #: 88M80 Model/Part #: LB- 87170CK	1	W/MANIFOLD
11	VALVE-SERVICE Cat #: 10W32 Model/Part #: 100432-01	1	"LIQUID-LINE,3/8""
12	VALVE-SERVICE Cat #: 31W73 Model/Part #: 100609-02	1	"SUCTION LINE,7/8""
13	FAN Cat #: 98M20 Model/Part #: 100060-09	1	"1/2""BORE,18""DIA,4 BLADE"

<b>Callout</b>	<b>Name</b>	<b>Quantity</b>	<b>Description</b>
B1	COMPRESSOR ZP36K5E-TF5 Cat #: 18W49 Model/Part #: 100040-15	1	"3 TON,208-230/60/3,COPE (FOOTNOTE 1)"
B1	COMPRESSOR ZP36K5E-TFD Cat #: 18W50 Model/Part #: 100040-16	1	"3 TON,460/60/3,COPE (FOOTNOTE 1)"
B4	MOTOR-FAN Cat #: 97M62 Model/Part #: 100483-01	1	"1/3HP,1075RPM,208-230/60/1"
B4	MOTOR-FAN Cat #: 25W16 Model/Part #: 100483-07	1	"1/3HP,1075RPM,460/60/1"
HR1	HEATER-CRANKCASE Cat #: 93M05 Model/Part #: 100499-02	1	"40 WATT, 240 VOLT"
HR1	HEATER-CRANKCASE Cat #: 93M14 Model/Part #: 100499-11	1	"40 WATT, 480 VOLT"
S4	SWITCH-HI PRESS-MANUAL Cat #: 42W41 Model/Part #: 100103-03	1	CUTOUT 590 PSIG

**Note:**

Note1: Compressor uses POE oil. The filter drier MUST BE replaced at time of compressor change. Please advise customer of this requirement at time of order. (The filter drier is excluded from the Lennox Quality Care Limited Warranty).