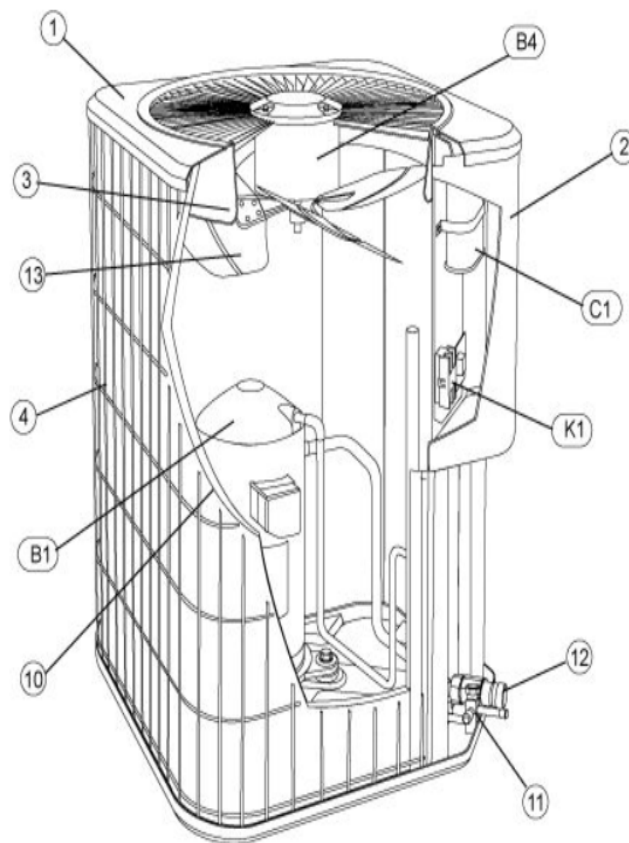


COOLING-CONDENSING
JULY, 2005

TSA SERIES



Revision Number - 3

*OPTIONAL PARTS-FIELD INSTALLED

Callout	Name	Quantity	Description
	SWITCH-PRESS Cat #: 84M96 Model/Part #: 100216-01	1	"IN 55 PSIG, OUT 25 PSIG"
LC KIT	LOSS OF CHARGE KIT Cat #: 84M23 Model/Part #: LB-110135A	1	INC NEXT PART

CABINET PARTS

Callout	Name	Quantity	Description
	NUT-CAP Cat #: 85M56 Model/Part #: 100094-01	4	TOP PANEL
	PUSH PIN-MESHING Cat #: 42W91 Model/Part #: 100230-06	6	PIN-PUSH
	MESHING-COIL Cat #: 26W30 Model/Part #: 100231-09	1	"36" X 90" (CUT OT FIT)"
	COVER Cat #: 69J03 Model/Part #: 69J0301	1	SOUND-COMPRESSOR (OPTIONAL)
	LEG Cat #: 94J45 Model/Part #: LB-87156A	1	BASE(SET OF 4)
1	PANEL-TOP Cat #: 88M43 Model/Part #: LB-86265G	1	TOP PANEL (24X24)(QUARTZ GRAY)
2	COVER-CONTROL BOX Cat #: 88M45 Model/Part #: LB-86271G	1	COVER-CONTROL PANEL (QUARTZ GRAY)
3	ORIFICE Cat #: 95M53 Model/Part #: 100001-03	1	"18""
4	GUARD- COIL Cat #: 88M48 Model/Part #: 100315-02	1	OUTDOOR COIL

CONTROL PANEL PARTS

Callout	Name	Quantity	Description
C1	CAPACITOR-FAN Cat #: 22W78 Model/Part #: 100600-01	1	"5MFD,370VAC"
K1	CONTACTOR Cat #: 95M57 Model/Part #: 100438-03	1	"3 PDT,24V"
T4	TRANSFORMER Cat #: 13H79 Model/Part #: 13H7901	1	"575V PRI, 460V SEC, 1.5 KVA (575V)"

COOLING PARTS

Callout	Name	Quantity	Description
	RELAY-OVERLOADCOMP-INTERNAL Cat #: Model/Part #:	1	
	CORE-VALVE Cat #: 95M48 Model/Part #: 100210-01	1	CORE - VALVE
	DRIER Cat #: 95M52 Model/Part #: 100214-03	1	"LIQUID LINE(OPT REPLACEMENT) (FOOTNOTE
	FITTING-PRESS TAP Cat #: 95M47 Model/Part #: 100520-01	1	FITTING PRESSURE TAP (BRASS)
	MOUNT PKG-COMP Cat #: 54M63 Model/Part #: 15J1301PR	1	MOUNT PKG-COMP
	HARNESS-COMPRESSOR Cat #: 15M36 Model/Part #: 15M3601	1	MOLDED PLUG
	DRIER Cat #: 88K45 Model/Part #: 88K4501	1	SUCTION LINE(OPT REPLACEMENT)
10	COIL-OUTDOOR Cat #: 33W96 Model/Part #: LB-87170DK	1	W/MANIFOLD
11	VALVE-SERVICE	1	"LIQUID-LINE,3/8""

Callout	Name	Quantity	Description
	Cat #: 10W32 Model/Part #: 100432-01		
12	VALVE-BALL SERVICE 7/8 X 7/8 Cat #: 77W34 Model/Part #: 102831-05	1	"SUCTION LINE,7/8""
13	FAN Cat #: 98M19 Model/Part #: 100060-08	1	"1/2""BORE,18""DIA,4 BLADE"
B1	COMPRESSOR ZP31K5E-TF5-130 Cat #: 18W47 Model/Part #: 100040-13	1	"2.5 TON,208-230/60/3,COPE#(FOOTNOTE 1)
B1	COMPRESSOR ZP31K5E-TFD-130 Cat #: 18W48 Model/Part #: 100040-14	1	"2.5 TON,460/60/3,COPE (FOOTNOTE 1)"
B4	MOTOR-FAN Cat #: 25W17 Model/Part #: 100483-08	1	"1/6HP,1075RPM,460/60/1 (460V & 575V)"
B4	MOTOR-FAN Cat #: 43W49 Model/Part #: 100483-21	1	"1/5HP,1075RPM,208-230/60/1"
HR1	HEATER-CRANKCASE Cat #: 93M04 Model/Part #: 100499-01	1	"40 WATT, 240 VOLT
HR1	HEATER-CRANKCASE Cat #: 26W27 Model/Part #: 100499-14	1	"40 WATT, 480 VOLT"
HR1	HEATER-CRANKCASE Cat #: 29W90 Model/Part #: 100499-18	1	"40 WATT, 575 VOLT
S4	SWITCH-HI PRESS-MANUAL Cat #: 42W41 Model/Part #: 100103-03	1	CUTOUT 590 PSIG
S40	THERMOSTAT SPST OPEN@70°F CLOSE@50°F 40" Cat #: 95M54 Model/Part #: 100503-01	1	"CC HEATER, OPEN 70F, CLOSE 50F (208-23

Note:

Note1: Compressor uses POE oil. The filter drier MUST BE replaced at time of compressor change. Please advise customer of this requirement at time of order. (The filter drier is excluded from the Lennox Quality Care Limited Warranty).