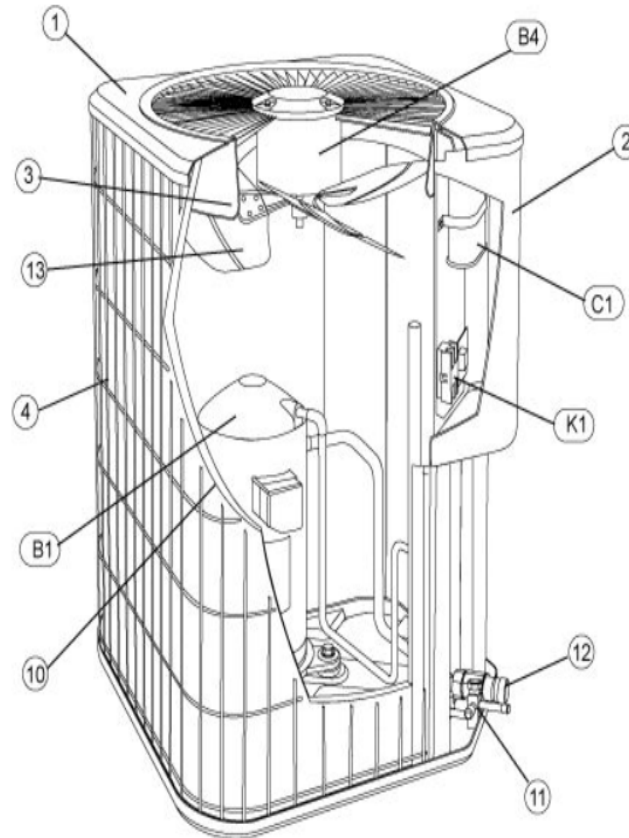


COOLING-CONDENSING
JULY, 2005

TSA SERIES



Revision Number - 10

*OPTIONAL PARTS-FIELD INSTALLED

Callout	Name	Quantity	Description
	VALVE-SADDLE Cat #: 65G91 Model/Part #: 65G9101	1	"3/8""
	SWITCH-HI PRESS Cat #: 86H31 Model/Part #: 86H3101	1	OUT 410+10PSIG
	SWITCH-LO PRESS Cat #: 87265 Model/Part #: P-8-10978	1	"IN 55+5PSIG,OUT 25+5PSIG"
HP KIT	HI PRESS CUTOUT KIT Cat #: 94J46 Model/Part #: LB-87619A	1	INC NEXT 2 PARTS
LC KIT	LOSS OF CHARGE KIT Cat #: 94J47 Model/Part #: LB-87620A	1	INC NEXT 2 PARTS

CABINET PARTS

Callout	Name	Quantity	Description
	NUT-CAP Cat #: 85M56 Model/Part #: 100094-01	4	TOP PANEL
	PUSH PIN-MESHING Cat #: 42W91 Model/Part #: 100230-06	6	PIN-PUSH
	MESHING-COIL Cat #: 26W30 Model/Part #: 100231-09	1	"36"" X 90"" (CUT OT FIT)"
	COVER Cat #: 69J03 Model/Part #: 69J0301	1	SOUND-COMPRESSOR (OPTIONAL)
	LEG Cat #: 94J45 Model/Part #: LB-87156A	1	BASE(SET OF 4)
1	PANEL-TOP Cat #: 49W79 Model/Part #: 102076-01	1	PANEL - TOP 24 X 24
2	COVER-CONTROL BOX Cat #: 49W75 Model/Part #: 102072-01	1	COVER - CONTROL PANEL
3	ORIFICE	1	"18""

Callout	Name	Quantity	Description
	Cat #: 95M53 Model/Part #: 100001-03		
4	GUARD- COIL Cat #: 88M49 Model/Part #: 100315-03	1	OUTDOOR COIL

CONTROL PANEL PARTS

Callout	Name	Quantity	Description
C1	CAPACITOR-FAN Cat #: 22W78 Model/Part #: 100600-01	1	"5MFD,370VAC"
K1	CONTACTOR Cat #: 95M57 Model/Part #: 100438-03	1	"3 PDT,24V"
T5	TRANSFORMER Cat #: 13H79 Model/Part #: 13H7901	1	"575V PRI, 460V SEC, 1.5 KVA"

COOLING PARTS

Callout	Name	Quantity	Description
	RELAY-OVERLOADCOMP-INTERNAL Cat #: Model/Part #:	1	
	CORE-VALVE Cat #: 95M48 Model/Part #: 100210-01	1	CORE - VALVE
	FITTING-PRESS TAP Cat #: 95M47 Model/Part #: 100520-01	1	PRESSURE TAP
	DRIER Cat #: 12L71 Model/Part #: 12L7101	1	LIQUID LINE(OPT REPLACEMENT)
	MOUNT PKG-COMP Cat #: 54M63 Model/Part #: 15J1301PR	1	MOUNT PKG-COMP
	HARNESS-COMPRESSOR Cat #: 15M36 Model/Part #: 15M3601	1	MOLDED PLUG
	DRIER Cat #: 88K44 Model/Part #: 88K4401	1	SUCTION LINE(OPT REPLACEMENT)
10	COIL-OUTDOOR Cat #: 36W52 Model/Part #: LB- 87170DM	1	W/MANIFOLD

Callout	Name	Quantity	Description
11	VALVE-SERVICE Cat #: 10W32 Model/Part #: 100432-01	1	"LIQUID-LINE,3/8""
12	VALVE-SERVICE Cat #: 31W73 Model/Part #: 100609-02	1	"SUCTION LINE,7/8""
13	FAN Cat #: 98M18 Model/Part #: 100060-07	1	"1/2""BORE,18""DIA,3 BLADE"
B1	COMPRESOR Cat #: 15W21 Model/Part #: 100052-10	1	"2.5 TON,208- 230/60/3,COPE"
B1	COMPRESSOR Cat #: 15W22 Model/Part #: 100052-11	1	"2.5 TON,460/60/3,COPE"
B1	COMPRESSOR Cat #: 15W28 Model/Part #: 100052-18	1	"2.5 TON,575/60/3,COPE"
B4	MOTOR-FAN Cat #: 25W17 Model/Part #: 100483-08	1	"1/6HP,1075RPM,460/60/1 (460V & 575V)"
B4	MOTOR-FAN Cat #: 43W49 Model/Part #: 100483-21	1	"1/5HP,1075RPM,208- 230/60/1 (208-230V)"
HR1	HEATER-CRANKCASE Cat #: 93M04 Model/Part #: 100499-01	1	"40 WATT, 240 VOLT"
HR1	HEATER-CRANKCASE Cat #: 26W27 Model/Part #: 100499-14	1	"40 WATT, 480 VOLT"
HR1	HEATER-CRANKCASE Cat #: 29W90 Model/Part #: 100499-18	1	"40 WATT, 575 VOLT"
S40	THERMOSTAT SPST OPEN@70°F CLOSE@50°F 40" Cat #: 95M54 Model/Part #: 100503-01	1	"CC HEATER, OPEN 70F, CLOSE 50F (208-23

Note:

There are no technical notes for this product.