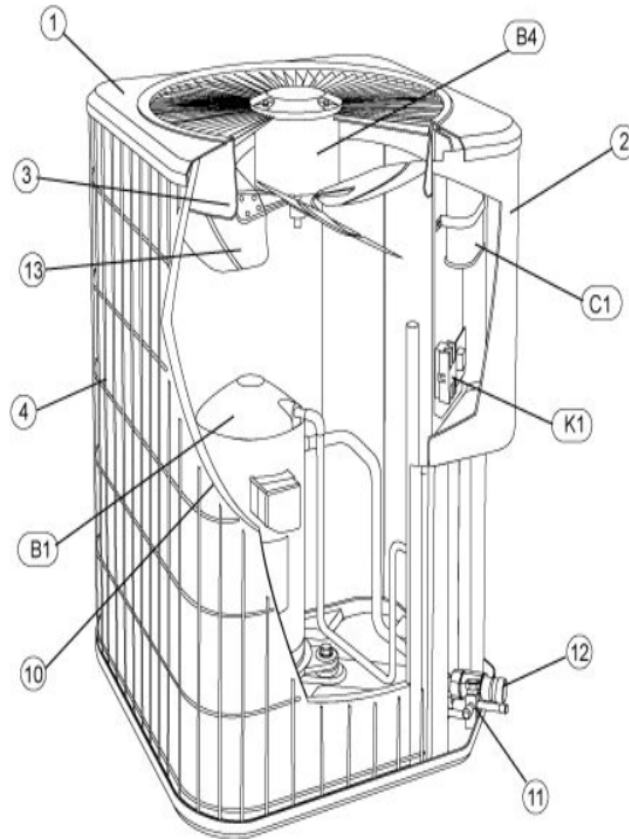


COOLING-CONDENSING
JULY, 2005

TSA SERIES



Revision Number - 2

CABINET PARTS

Callout	Name	Quantity	Description
	NUT-CAP Cat #: 85M56 Model/Part #: 100094-01	4	TOP PANEL
	PUSH PIN-MESHING Cat #: 42W17 Model/Part #: 100230-05	6	PIN: PUSH
	MESHING-COIL Cat #: 26W30 Model/Part #: 100231-09	1	"36"" X 90"" (CUT TO FIT)"
	COVER Cat #: 69J03 Model/Part #: 69J0301	1	SOUND-COMPRESSOR (OPTIONAL)
	LEG Cat #: 94J45 Model/Part #: LB-87156A	1	BASE(SET OF 4)
	COVER Cat #: 88M42 Model/Part #: LB-93297G	1	PATCH PLATE
1	PANEL-TOP Cat #: 88M44 Model/Part #: LB-86264G	1	TOP PANEL 28X28 (QUARTZ GRAY)
2	COVER-CONTROL BOX Cat #: 88M46 Model/Part #: LB-86268G	1	COVER-CONTROL PANEL (QUARTZ GRAY)
3	ORIFICE Cat #: 98M16 Model/Part #: 100001-01	1	"22""
4	GUARD Cat #: 88M52 Model/Part #: 100315-06	1	OUTDOOR COIL

CONTROL PANEL PARTS

Callout	Name	Quantity	Description
C1	CAPACITOR-FAN Cat #: 22W78 Model/Part #: 100600-01	1	"5MFD,370VAC"
K1	CONTACTOR Cat #: 95M57 Model/Part #: 100438-03	1	"3 PDT,24V"

COOLING PARTS

Callout	Name	Quantity	Description
	RELAY-OVERLOADCOMP-INTERNAL Cat #: Model/Part #:	1	
	CORE-VALVE Cat #: 95M48 Model/Part #: 100210-01	2	CORE - VALVE
	DRIER Cat #: 95M52 Model/Part #: 100214-03	1	"LIQUID LINE(OPT REPLACEMENT) (FOOTNOTE
	KIT Cat #: 11W02 Model/Part #: 100484-22	1	RFC (.073)
	FITTING-PRESS TAP Cat #: 95M47 Model/Part #: 100520-01	2	PRESSURE TAP
	MOUNT PKG-COMP Cat #: 54M63 Model/Part #: 15J1301PR	1	MOUNT PKG-COMP
	HARNESS-COMPRESSOR Cat #: 15M36 Model/Part #: 15M3601	1	MOLDED PLUG
	DRIER Cat #: 88K45 Model/Part #: 88K4501	1	SUCTION LINE(OPT REPLACEMENT)
10	COIL-OUTDOOR Cat #: 36W54 Model/Part #: LB-87170DP	1	W/MANIFOLD
11	VALVE-SERVICE Cat #: 10W32 Model/Part #: 100432-01	1	"LIQUID-LINE, 3/8""
12	VALVE-SERVICE Cat #: 22W71 Model/Part #: 100432-03	1	"SUCTION LINE, 7/8""
13	FAN Cat #: 43W37 Model/Part #: 100060-23	1	"1/2""BORE, 22""DIA, 3 BLADE"
B1	COMPRESSOR Cat #: 28W82 Model/Part #: 100040-23	1	"2.5 TON,208-230/60/3,COPE (FOOTNOTE 1)
B1	COMPRESSOR Cat #: 28W83 Model/Part #: 100040-24	1	"2.5TON,460/60/3,COPE (FOOTNOTE 1)"
B4	MOTOR-FAN	1	"1/6HP, 825RPM, 208-

Callout	Name	Quantity	Description
	Cat #: 98M36 Model/Part #: 100483-11		230/60/1"
B4	MOTOR-FAN Cat #: 25W19 Model/Part #: 100483-15	1	"1/6HP, 825RPM, 460/60/1"
HR1	HEATER-CRANKCASE Cat #: 93M04 Model/Part #: 100499-01	1	"40 WATT, 240 VOLT"
HR1	HEATER-CRANKCASE Cat #: 43W57 Model/Part #: 100499-20	1	"40 WATT, 480 VOLT"
S4	SWITCH-HI PRESS-MANUAL Cat #: 42W41 Model/Part #: 100103-03	1	CUTOUT 590 PSIG
S40	THERMOSTAT SPST OPEN@70°F CLOSE@50°F 40" Cat #: 95M54 Model/Part #: 100503-01	1	"CC HEATER, OPEN 70F, CLOSE 50F (208-2
S87	SWITCH-LO PRESS-AUTO Cat #: 23W26 Model/Part #: 100087-06	1	"IN 40 PSIG, OUT 25 PSIG"

Note:

Note1: Compressor uses POE oil. The filter drier MUST BE replaced at time of compressor change. Please advise customer of this requirement at time of order. (The filter drier is excluded from the Lennox Quality Care Limited Warranty).