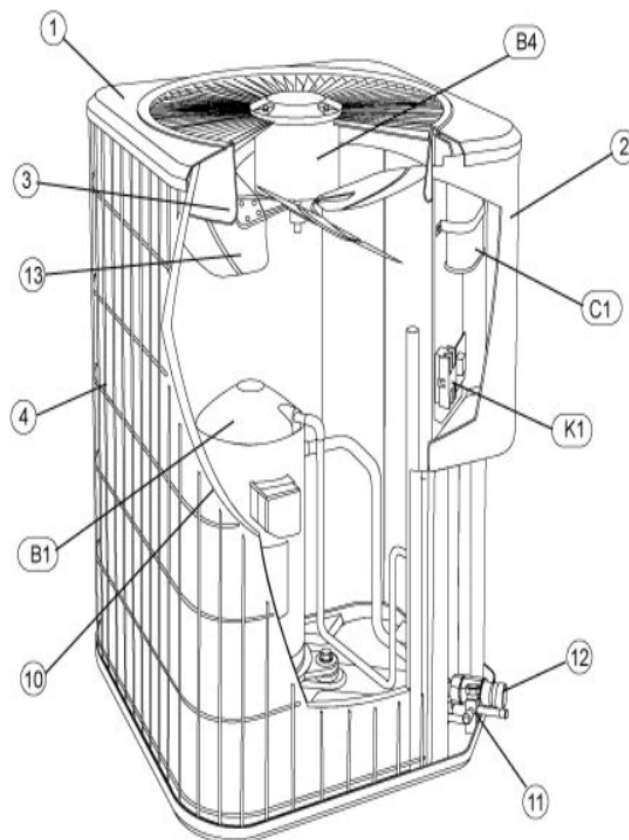


COOLING-CONDENSING
JULY, 2005

TSA SERIES



Revision Number - 1

*OPTIONAL PARTS-FIELD INSTALLED

Callout	Name	Quantity	Description
	SWITCH-PRESS Cat #: 84M96 Model/Part #: 100216-01	1	"IN 55+5PSIG,OUT 25+5PSIG"
	CAPACITOR-START Cat #: 63A06 Model/Part #: 63A0601	1	"176-216 MFD, 320 VAC"
	RELAY-POTENTIAL Cat #: 58327 Model/Part #: P-8-3577	1	SPNC
LC KIT	LOSS OF CHARGE KIT Cat #: 84M23 Model/Part #: LB-110135A	1	INC NEXT 2 PARTS
ST KIT	START KIT Cat #: 88M91 Model/Part #: LB-31200BAR	1	INC NEXT 2 PARTS

CABINET PARTS

Callout	Name	Quantity	Description
	NUT-CAP Cat #: 85M56 Model/Part #: 100094-01	4	TOP PANEL
	PUSH PIN-MESHING Cat #: 42W91 Model/Part #: 100230-06	6	PIN-PUSH
	MESHING-COIL Cat #: 26W30 Model/Part #: 100231-09	1	"36"" X 90"" (CUT OT FIT)"
	COVER Cat #: 28W61 Model/Part #: 28W61	1	PATCH PLATE
	COVER Cat #: 69J03 Model/Part #: 69J0301	1	SOUND-COMPRESSOR (OPTIONAL)
	LEG Cat #: 94J45 Model/Part #: LB-87156A	1	BASE(SET OF 4)
1	PANEL-TOP Cat #: 88M43 Model/Part #: LB-86265G	1	TOP PANEL (24X24)(QUARTZ GRAY)

Callout	Name	Quantity	Description
2	COVER-CONTROL BOX Cat #: 88M45 Model/Part #: LB-86271G	1	COVER-CONTROL PANEL (QUARTZ GRAY)
3	ORIFICE Cat #: 95M53 Model/Part #: 100001-03	1	"18"'"
4	GUARD- COIL Cat #: 88M48 Model/Part #: 100315-02	1	OUTDOOR COIL

CONTROL PANEL PARTS

Callout	Name	Quantity	Description
C12	CAPACITOR Cat #: 89M94 Model/Part #: 100335-29	1	"60+5MFD,440VAC"
K1	CONTACTOR Cat #: 95M55 Model/Part #: 100438-01	1	"SPST,24V"

COOLING PARTS

Callout	Name	Quantity	Description
	RELAY-OVERLOADCOMP-INTERNAL Cat #: Model/Part #:	1	
	CORE-VALVE Cat #: 95M48 Model/Part #: 100210-01	1	CORE - VALVE
	DRIER Cat #: 95M52 Model/Part #: 100214-03	1	"LIQUID LINE (FOOTNOTE 1)"
	FITTING-PRESS TAP Cat #: 95M47 Model/Part #: 100520-01	1	PRESSURE TAP
	100484-15 Kit-RFC (.065) Cat #: 10W99 Model/Part #: 10W99	1	100484-15 Kit-RFC (.065)
	MOUNT PKG-COMP Cat #: 54M63 Model/Part #: 15J1301PR	1	MOUNT PKG-COMP
	HARNESS-COMPRESSOR Cat #: 15M35 Model/Part #: 15M3501	1	MOLDED PLUG

Callout	Name	Quantity	Description
	DRIER Cat #: 88K44 Model/Part #: 88K4401	1	SUCTION LINE (OPTIONAL)
10	COIL-OUTDOOR Cat #: 33W96 Model/Part #: LB-87170DK	1	W/MANIFOLD
11	VALVE-SERVICE Cat #: 10W32 Model/Part #: 100432-01	1	"LIQUID-LINE,3/8""
12	VALVE-SERVICE Cat #: 10W33 Model/Part #: 100432-02	1	"SUCTION LINE,3/4""
13	FAN Cat #: 98M19 Model/Part #: 100060-08	1	"1/2""BORE,18""DIA,4 BLADE"
B1	COMPRESSOR ZP29K5E-PFJ Cat #: 55W23 Model/Part #: 100040-36	1	"2.5 TON,220- 240/50/1,COPE (FOOTNOTE 1)"
B4	MOTOR-FAN Cat #: 97M49 Model/Part #: 100483-02	1	"1/5HP,1075RPM,208- 230/60/1 (FOOTNOTE 2)
HR1	HEATER-CRANKCASE Cat #: 93M04 Model/Part #: 100499-01	1	"40 WATT, 240 VOLT"
S4	SWITCH-HI PRESS-MANUAL Cat #: 42W41 Model/Part #: 100103-03	1	CUTOUT 590 PSIG

Note:

Note1: Compressor uses POE oil. The filter drier MUST BE replaced at time of compressor change. Please advise customer of this requirement at time of order. (The filter drier is excluded from the Lennox Quality Care Limited Warranty).