

<b>Part No.</b>	<b>Reference No.</b>	<b>Quantity</b>	<b>Description</b>
75013468#TMM5UP2-S	*		GENERAL ASSEMBLY
75011126#TMM5UP2-S	*		MODEL NOMENCLATURE
TMM5UP2_TMM5UP2_188747-P	*		TMM5UP2 PARTS LIST

NO GRAPHIC AVAILABLE

75013702

REV  
A

**NO  
GRAPHIC  
AVAILABLE**

MODEL NUMBER DESCRIPTION

75011126

REL  
A

TMM4 STUD MOUNT OVER THE WATER HEATER AIR HANDLER

*Example Model Number:*  
**TMM4A0B24S21SAA**  
1 - - - - 5 - - - - 10 - - - - 15

**Digit 1 – Brand**

T = Trane or American Standard

**Digit 2 – Product type**

M = Metal Over Hot Water Heater

**Digit 3 – Convertibility**

M = Stud Mount

**Digit 4 – Product Tier**

5 = Entry Level Multi-Speed

**Digit 5 – Development Sequence**

A = First Major Design Change

**Digit 6 – No Descriptor**

0 = Air Handler/Coil

**Digit 7 – Size (Footprint)**

A = 17.5 x 21.5

B = 21.0 x 21.5

C = 23.5 x 21.1

**Digits 8, 9 – Nominal Capacity**

18 = 1.5 Ton

24 = 2.0 Ton

30 = 2.5 Ton

36 = 3.0 Ton

**Digit 10 –**

S = Standard Efficiency PSC Motor

**Digit 11 – Air Flow Configuration**

1-5 = Nominal Tonnage (cfm/ton)

**Digit 12 – Unit Voltage**

1 = 208-230/1/60

**Digit 13 – System Control Type**

S = Standard - 24 VAC

**Digit 14 – Minor Design Sequence Change**

A = First Minor Design Change

**Digit 15 – Service Digit (Not Used for Ordering)**

A = First Sequence

Part No.	Reference No.	Quantity	Description
75011126_TMM5UP2_188748~P	*		MODEL NOMENCLATURE PARTS LIST

MODEL NUMBER DESCRIPTION

75011126

REV.  
A

TMM4 STUD MOUNT OVER THE WATER HEATER AIR HANDLER

*Example Model Number:*  
**TMM4A0B24S21SAA**  
1 - - - - 5 - - - - 10 - - - - 15

**Digit 1 – Brand**

T = Trane or American Standard

**Digit 2 – Product type**

M = Metal Over Hot Water Heater

**Digit 3 – Convertibility**

M = Stud Mount

**Digit 4 – Product Tier**

5 = Entry Level Multi-Speed

**Digit 5 – Development Sequence**

A = First Major Design Change

**Digit 6 – No Descriptor**

0 = Air Handler/Coil

**Digit 7 – Size (Footprint)**

A = 17.5 x 21.5

B = 21.0 x 21.5

C = 23.5 x 21.1

**Digits 8, 9 – Nominal Capacity**

18 = 1.5 Ton

24 = 2.0 Ton

30 = 2.5 Ton

36 = 3.0 Ton

**Digit 10 –**

S = Standard Efficiency PSC Motor

**Digit 11 – Air Flow Configuration**

1-5 = Nominal Tonnage (cfm/ton)

**Digit 12 – Unit Voltage**

1 = 208-230/1/60

**Digit 13 – System Control Type**

S = Standard - 24 VAC

**Digit 14 – Minor Design Sequence Change**

A = First Minor Design Change

**Digit 15 – Service Digit (Not Used for Ordering)**

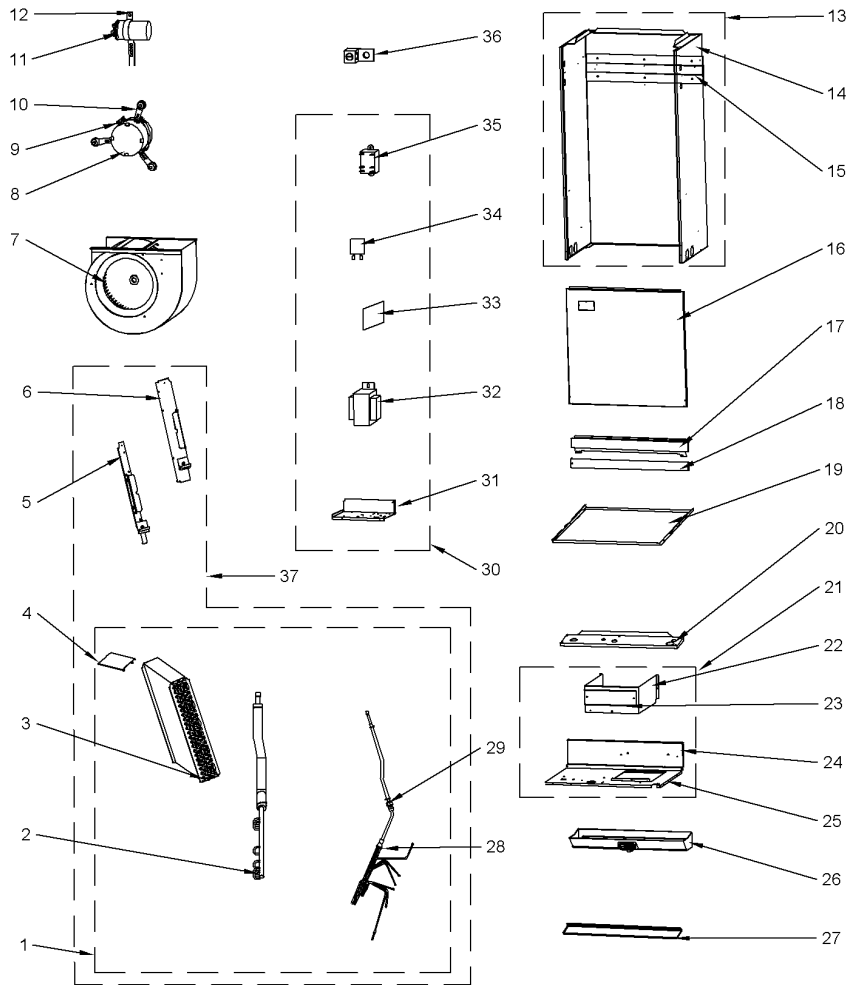
A = First Sequence

OVER THE WATER HEATER AIR HANDLER

75013468

REV.  
A

1.5 & 2.0 TON  
TMM4



All orderable Service Parts are identified for this product.  
Parts that are not identified, will not be available to order.  
This is a typical illustration. The unit in the field may not appear exactly as shown.

Parts List Number :TMM5UP2#TMM5UP2

Model Number :TMM4B0A24S21SAA

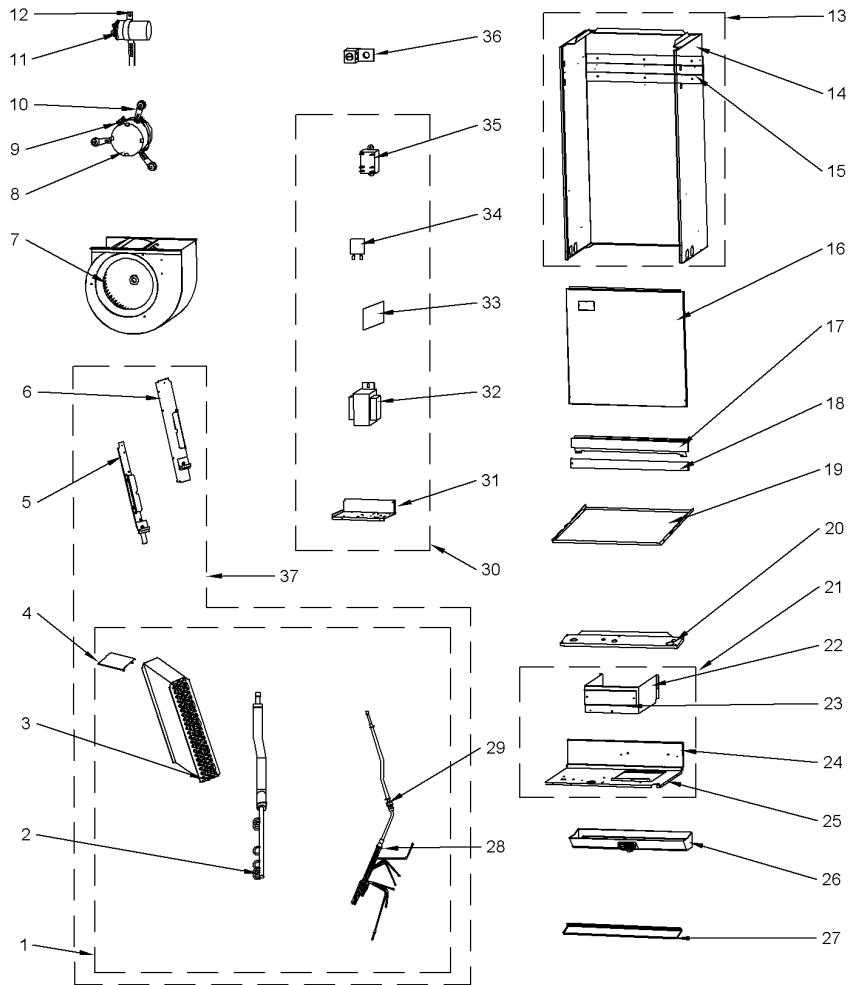
Part No.	Reference No.	Quantity	Description
75013468_TMM5UP2_188749~P	*		GENERAL ASSEMBLY PARTS LIST

OVER THE WATER HEATER AIR HANDLER

75013468

REV.  
A

1.5 & 2.0 TON  
TMM4



All orderable Service Parts are identified for this product.

Parts that are not identified, will not be available to order.

This is a typical illustration. The unit in the field may not appear exactly as shown.

Part No.	Reference No.	Quantity	Description
CAB01864	*	1	CABLE; MOTOR HARNESS
COL28918	1	1	COIL; ASSEMBLY
PIP02837	2	1	LINE; VAPOR LINE ASSEMBLY
COL28946	3	1	COIL; ASSEMBLY
PLT06089	4	1	PLATE; DUCT
RAL01219	5	1	RAIL; CONNECTION
RAL01216	6	1	RAIL; CONNECTION
BLW01460	7	1	BLOWER; ASSEMBLY
MOT17229	8	1	MOTOR; BLOWER FAN; 1/4 HP, CCW 208-230/60/1
BND00919	9	1	BAND; BLOWER FAN MOTOR BELLY
ARM00959	10	3	BRACKET; BLOWER MOTOR ARM
CPT02520	11	1	CAPACITOR; FAN; 6UF/450V-P2(2000H)
BND00920	12	1	STRAP; CAPACITOR
CAS02127	13	1	CASING; CABINET
BOX03886	14	1	WRAPPER; CABINET, SB3413
BRK04782	15	2	BRACKET; WALL MOUNT
PNL31659	16	1	PANEL; FRONT
PNL31658	17	1	PANEL; UPPER CROSS BRACE SUPPORT
PNL34824	18	1	PANEL; FRONT CASE
PLT06228	19	1	PANEL; BOTTOM SIDE
PLT06229	20	1	PANEL; TOP SIDE
DUC01519	21	1	DUCT; ASSEMBLY
DMP04068	22	1	DAMPER; AIR DUCT
PNL33899	23	1	PANEL; DUCT
PNL33898	24	1	PANEL; DUCT
PNL33897	25	1	PANEL; BLOWER AIRFLOW
PAN04150	26	1	PAN; DRAIN PAN BOTTOM, UPFLOW
PLT05246	27	1	PLATE; DRAIN PAN SUPPORT
DST01166	28	1	DISTRIBUTARY ASS'Y
PIP02800	29	1	PANEL; CONTROLS
BOX03807	30	1	BOX; E-PART ASSEMBLY
PLT06499	31	1	LINE; LIQUID LINE ASSEMBLY
TRR02816	32	1	TRANSFORMER; 208-240, 60 CYCLE, 40 VA, 1Q
BRD07785	33	1	BOARD; CONTROL
RLY03790	35	1	RELAY; FAN, 24 V
TER01703	36	1	LUG; GROUND LUG