

<b>Part No.</b>	<b>Reference No.</b>	<b>Quantity</b>	<b>Description</b>
75008651#HUMDUP1~S	*		BYPASS HUMIDIFIER COMPONENTS
N GRAPHIC#HUMDUP1~S	*		ACCESSORY PARTS
HUMDUP1_HUMDUP1_129649~ P	*		HUMDUP1 PARTS LIST
75007773#HUMDUP1~S	*		MODEL NUMBER DESCRIPTION

NO GRAPHIC AVAILABLE

75013702

REV  
A

**NO  
GRAPHIC  
AVAILABLE**

MODEL NUMBER DESCRIPTION		75007773	REV A												
AHUMD AND THUMD RESIDENTIAL HUMIDIFIER UNITS															
MODEL NO.	A	H	U	M	D	2	0	0	A	B	M	0	0	A	A
DIGIT NO.	1	2	3	4	5	6	7	8	9	10	11	12	13	14	15
<p>DIGITS 1- Brand            T = Trane            A = American Standard</p> <p>DIGIT 2-5 - Accessory Type            HUMD = Humidifier</p> <p>DIGIT 6-8 - Model Series            200 = Small Bypass            300 = Larger Bypass            500 = Fan Powered</p> <p>DIGIT 9 - Major Design Change            A = Design Series</p> <p>DIGIT 10 - Humidifier Type            B = Bypass Humidifier            P = Fan Powered Humidifier</p> <p>DIGIT 11 - Control            M = Manual Humidistat            A = Automatic Humidistat</p> <p>DIGIT 12 - Blank            D = Blank</p> <p>DIGIT 13 - Blank            D = Blank</p> <p>DIGIT 14 - Minor Modification            A = Design Change</p> <p>Digit 15 - Service Digit            A = Service Digit</p>															

Parts List Number :HUMDUP1#HUMDUP1

Model Number :THUMD200ABM00BA

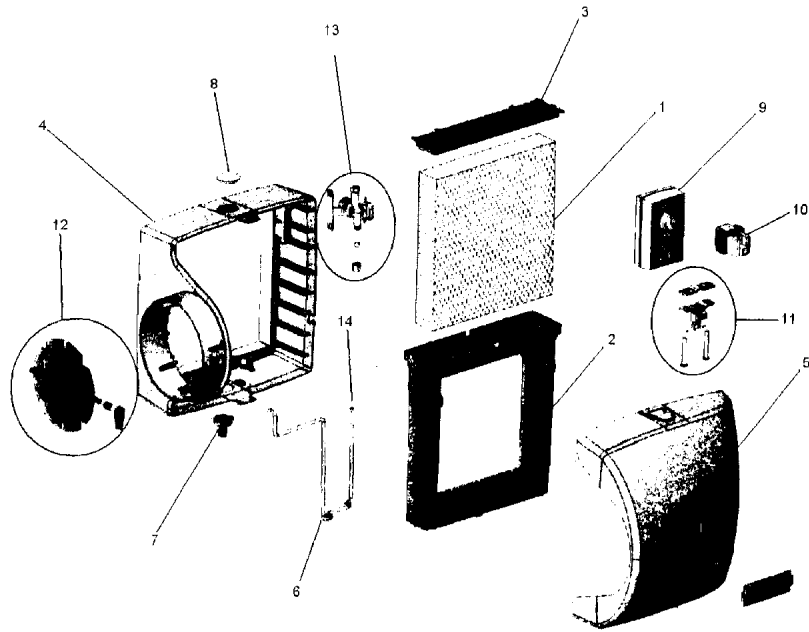
Part No.	Reference No.	Quantity	Description
75007773_HUMDUP1_129650~P	*		MODEL NUMBER DESCRIPTION PARTS LIST

MODEL NUMBER DESCRIPTION		75007773	REV A												
AHUMD AND THUMD RESIDENTIAL HUMIDIFIER UNITS															
MODEL NO.	A	H	U	M	D	2	0	0	A	B	M	0	0	A	A
DIGIT NO.	1	2	3	4	5	6	7	8	9	10	11	12	13	14	15
<p>DIGITS 1- Brand            T = Trane            A = American Standard</p> <p>DIGIT 2-5 - Accessory Type            HUMD = Humidifier</p> <p>DIGIT 6-8 - Model Series            200 = Small Bypass            300 = Larger Bypass            500 = Fan Powered</p> <p>DIGIT 9 - Major Design Change            A = Design Series</p> <p>DIGIT 10 - Humidifier Type            B = Bypass Humidifier            P = Fan Powered Humidifier</p> <p>DIGIT 11 - Control            M = Manual Humidistat            A = Automatic Humidistat</p> <p>DIGIT 12 - Blank            D = Blank</p> <p>DIGIT 13 - Blank            D = Blank</p> <p>DIGIT 14 - Minor Modification            A = Design Change</p> <p>Digit 15 - Service Digit            A = Service Digit</p>															

BYPASS HUMIDIFIER

75008651

REV  
A

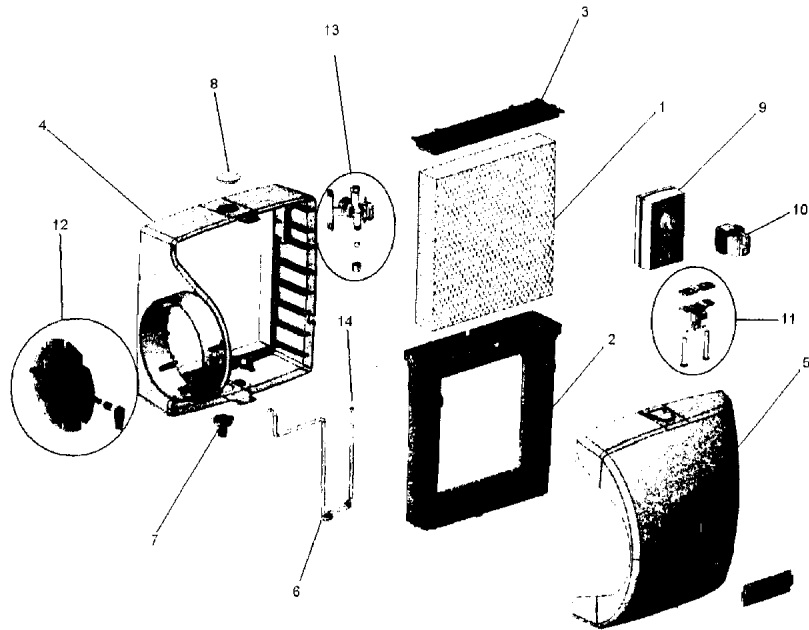


Part No.	Reference No.	Quantity	Description
75008651_HUMDUP1_337726~P	*		BYPASS HUMIDIFIER COMPONENTS PARTS LIST

BYPASS HUMIDIFIER

75008651

REV  
A



Parts List Number :HUMDUP1#HUMDUP1

Model Number :THUMD200ABM00BA

Part No.	Reference No.	Quantity	Description
RES00957	*	1	RESISTOR; MANUAL MODE RESISTOR AND LABEL FOR AHC
SRA00859	*	1	STRAINER; IN-LINE, SBP, LBP, LFP
PNL20614	1	1	PANEL; WATER PANEL EVAPORATOR PAD, ALUMINUM, #10 STYLE, SF, SBP
IRT00058	2	1	INSERT; SCALE CONTROL, SMALL BYPASS (NEW HSG STYLE)
PAN02832	3	1	PAN; WATER DISTRIBUTOR TRAY, SMALL BYPASS
BAS02153	4	1	BASE; SMALL BYPASS (WITH DAMPER)
COV03847	5	1	COVER; SMALL BYPASS (W/ TRANE NAMEPLATE)
TUB12025	6	1	TUBE; FEED PLASTIC, SBP,LBP
DRN00006	7	1	DRAIN; SPUD, SBP, LBP
PLU01003	8	1	PLUG; FOR BYPASS BASES
THT02444	9	1	THERMOSTAT; HUMIDISTAT, MANUAL, TRANE, SBP
TRR01901	10	1	TRANSFORMER; SBP, LBP
VAL08192	11	1	VALVE; SADDLE, SBP,LBP, LFP
DMP02772	12	1	DAMPER; HUMIDIFIER BYPASS AND HANDLE, SBP, LBP
VAL08193	13	1	VALVE; SOLENOID, 24VAC, SBP,LBP
ORF01440	14	1	ORIFICE; YELLOW, BYPASS UNITS WITH PLASTIC TUBES

ACCESSORY PARTS

Parts List Number :HUMDUP1#HUMDUP1

Model Number :THUMD200ABM00BA

Part No.	Reference No.	Quantity	Description
N GRAPHIC_HUMDUP1_337727~P	*		ACCESSORY PARTS

NO GRAPHIC AVAILABLE

75013702

REV  
A

**NO  
GRAPHIC  
AVAILABLE**

<b>Part No.</b>	<b>Reference No.</b>	<b>Quantity</b>	<b>Description</b>
PLT03885	1	1	PLATE; ADAPTOR, MANUAL HUMIDISTAT
PNL20614	1	1	PANEL; WATER PANEL EVAPORATOR PAD, ALUMINUM, #10 STYLE, SF, SBP
RLY02948	1	1	RELAY; MODEL 50
CNT04340	21	1	CONTROL; CONVERTIBLE AUTOMATIC HUMIDIFIER, TRANE, LBP/LFP,(IT INCLUDES AN AUTOMATIC HUMIDISTAT MOUNTED ON DUCTWORK AND THE OUTDOOR SENSOR