

Part No.	Reference No.	Quantity	Description
75012745#VOY2UP1~S	*		AIR FLOW PANELS
75012750#VOY2UP1~S	*		COMM PANELS
75010913#VOY2UP1~S	*		COMPRESSOR MOUNTING HARDWARE
75011760#VOY2UP1~S	*		COMPRESSOR POWER HARNESSSES
75009908#VOY2UP1~S	*		COMPRESSORS AND CRANKCASE HEATERS
75009909#VOY2UP1~S	*		FILTERS AND DRAIN PANS
75009005#VOY2UP1~S	*		GENERAL ILLUSTRATION
75009952#VOY2UP1~S	*		INDOOR FAN ASSEMBLY
75009901#VOY2UP1~S	*		MODEL NUMBER DESCRIPTION DIGIT 1-17
75009902#VOY2UP1~S	*		MODEL NUMBER DESCRIPTION DIGIT 18-31
75012144#VOY2UP1~S	*		OPTIONAL FIELD INSTALLED ACCESSORIES
75009910#VOY2UP1~S	*		OUTDOOR CONDENSOR COIL
75009012#VOY2UP1~S	*		OUTDOOR FAN ASSEMBLY
75009944#VOY2UP1~S	*		REFRIGERATION CIRCUIT CONTROLS
75009958#VOY2UP1~S	*		UNIT SENSING
VOY1000_VOY2UP1_100542~P	*		VOYAGER 2 CONFIGURED, 12.5-25 TON PARTS LIST

NO GRAPHIC AVAILABLE

75013702

REV
A

**NO
GRAPHIC
AVAILABLE**

Model Number Description	75009901	REV E
Voyager 2 Digits 1-17		
Digit 1 Unit Type Y= Gas/Electric T= Cooling W= Heat pump	Digit 12,13 Service Sequence Digit 14 Fresh Air Selection 0= No Fresh Air A= Manual damper D= Econ Dry Bulb w/ barometric relief F= Econ Reference Enthaply with barometric relief H= Econ Comparative Enthaply with barometric relief K= Low Leak Econ Dry Bulb with barometric relief M= Low Leak Econ Reference Enthalpy with barometric relief P= Low Leak Econ Comparative Enthalpy with barometric relief	
Digit 2 Efficiency S= Standard H= High Z= Ultra High	Digit 15 Supply Fan/Drive Type/Motor 0= Standard Drive 1= Oversized Motor 3= High Efficiency Belt Drive 6= Single Zone Variable Air Volume Standard 7= Two Speed Standard 8= Single Zone Variable Air Volume Oversized 9= Two Speed Oversized A= Single Zone Variable Air Volume Standard with Shaft Ground Ring B= Two Speed Standard w/ Shaft Ground Ring C= Single Zone Variable Air Volume Oversized with Shaft Ground Ring D= Two Speed Oversized w/ Shaft Ground Ring E= VAV Supply Air Temperature Control - Standard F= VAV Supply Air Temperature Control - Oversized G= VAV Supply Air Temperature Control - Standard w/ Shaft Ground Ring H= VAV Supply Air Temperature Control - Oversized w/ Shaft Ground Ring	
Digit 3 Airflow D= Downflow H= Horizontal	Digit 4,5,6 Unit Tonnage 150= 12.5 Ton 155= 15 Ton 50 hz 175= 17.5 Ton 50 hz 180= 15 Ton 200= 20 Ton 50 hz 210= 17.5 Ton 240= 20 Ton 250= 25 Ton 50 hz 300= 25 Ton	
Digit 7 Major Design Sequence E= R-410a F= Micro-channel G= ASHRAE 90.1	Digit 8 Voltage Selection 3= 230/60/3 4= 460/60/3 D= 380-415/50/3 K= 380/60/3 T= 200/50/3 W= 575/60/3	
Digit 9 Unit Controls R= Reliatel	Digit 10 Heating Capacity 0= No Heat G= 18 kW electric heat K= 27 kW electric heat N= 36 kW electric heat P= 54 kW electric heat R= 72 kW electric heat H= Gas Heat - High L= Gas Heat - Low V= Gas Heat - Modulating X= Gas Heat - SS Ht Ex - Low Z= Gas Heat - SS Ht Ex - High	
Digit 11 Minor Design Sequence A= Minor Des. Seq.	Digit 16 Hinged Service Access / Filters 0= Standard panels/standard filters A= Hinged access/standard filters B= Standard panels/2" inch pleated filters C= Hinged access/2" inch pleated filters D= Standard panels/MERV 13 filters E= Hinged access/MERV 13 filters Digit 17 Condenser Coil Protection 0= Standard coil 1= Standard coil with hail guard 2= Epoxy Coated Condenser Coil 3= Epoxy Coated Condenser Coil and Hail Guard 4= ECoated Coil 5= ECoated Coil with Hail Guard	

Parts List Number :VOY1000#VOY2UP1

Model Number :THH240G3R0A0000

Part No.	Reference No.	Quantity	Description
75009901_VOY2UP1_100545~P	*		MODEL NUMBER DESCRIPTION DIGIT 1-17 PARTS LIST

Model Number Description		75009901	REV E
Voyager 2 Digits 1-17			
Digit 1 Unit Type	Digit 12,13 Service Sequence		
Y= Gas/Electric	Digit 14 Fresh Air Selection		
T= Cooling	0= No Fresh Air		
W= Heat pump	A= Manual damper		
Digit 2 Efficiency	D= Econ Dry Bulb w/ barometric relief		
S= Standard	F= Econ Reference Enthaply		
H= High	with barometric relief		
Z= Ultra High	H= Econ Comparative Enthaply		
	with barometric relief		
Digit 3 Airflow	K= Low Leak Econ Dry Bulb		
D= Downflow	with barometric relief		
H= Horizontal	M= Low Leak Econ Reference Enthalpy		
	with barometric relief		
Digit 4,5,6 Unit Tonnage	P= Low Leak Econ Comparative Enthalpy		
150= 12.5 Ton	with barometric relief		
155= 15 Ton 50 hz			
175= 17.5 Ton 50 hz	Digit 15 Supply Fan/Drive Type/Motor		
180= 15 Ton	0= Standard Drive		
200= 20 Ton 50 hz	1= Oversized Motor		
210= 17.5 Ton	3= High Efficiency Belt Drive		
240= 20 Ton	6= Single Zone Variable Air Volume Standard		
250= 25 Ton 50 hz	7= Two Speed Standard		
300= 25 Ton	8= Single Zone Variable Air Volume Oversized		
	9= Two Speed Oversized		
Digit 7 Major Design Sequence	A= Single Zone Variable Air Volume Standard		
E= R-410a	with Shaft Ground Ring		
F= Micro-channel	B= Two Speed Standard w/ Shaft Ground Ring		
G= ASHRAE 90.1	C= Single Zone Variable Air Volume Oversized		
	with Shaft Ground Ring		
Digit 8 Voltage Selection	D= Two Speed Oversized w/ Shaft Ground Ring		
3= 230/60/3	E= VAV Supply Air Temperature Control -		
4= 460/60/3	Standard		
D= 380-415/50/3	F= VAV Supply Air Temperature Control -		
K= 380/60/3	Oversized		
T= 200/50/3	G= VAV Supply Air Temperature Control -		
W= 575/60/3	Standard w/ Shaft Ground Ring		
	H= VAV Supply Air Temperature Control -		
Digit 9 Unit Controls	Oversized w/ Shaft Ground Ring		
R= Reliatel			
Digit 10 Heating Capacity	Digit 16 Hinged Service Access / Filters		
0= No Heat	0= Standard panels/standard filters		
G= 18 kW electric heat	A= Hinged access/standard filters		
K= 27 kW electric heat	B= Standard panels/2" inch pleated filters		
N= 36 kW electric heat	C= Hinged access/2" inch pleated filters		
P= 54 kW electric heat	D= Standard panels/MERV 13 filters		
R= 72 kW electric heat	E= Hinged access/MERV 13 filters		
H= Gas Heat - High			
L= Gas Heat - Low	Digit 17 Condenser Coil Protection		
V= Gas Heat - Modulating	0= Standard coil		
X= Gas Heat - SS Ht Ex - Low	1= Standard coil with hail guard		
Z= Gas Heat - SS Ht Ex - High	2= Epoxy Coated Condenser Coil		
	3= Epoxy Coated Condenser Coil		
Digit 11 Minor Design Sequence	and Hail Guard		
A= Minor Des. Seq.	4= ECoated Coil		
	5= ECoated Coil with Hail Guard		

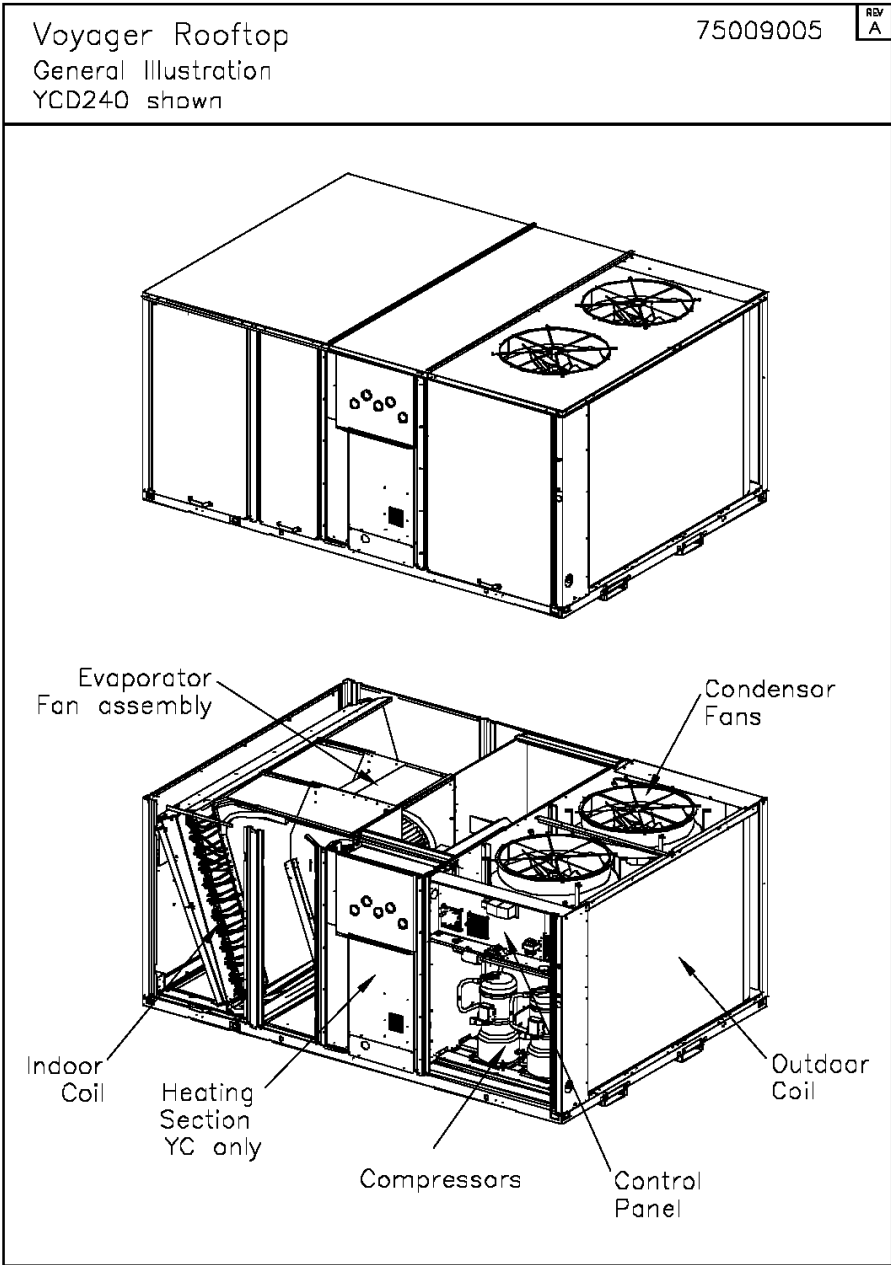
Model Number Description	75009902	REV E
<p>Voyager 2 Digits 18-31</p>		
<p>Digit 18 Through The Base Provisions 0= No through the base provisions A= Through the base electric B= Through the base gas C= Through the base electric and gas D= Through the base access</p>	<p>Digit 25 System Monitoring Controls 0= No monitoring controls 1= Clogged filter switch 2= Fan failure switch 3= Discharge air sensing 4= Clogged filter switch and fan failure 5= Clogged switch and discharge air sensing 6= Fan failure switch and discharge air sensing 7= Clogged filter switch, fan failure switch and discharge air sensing 8= NOVAR Return Air Sensor (Novar 2024) 9= NOVAR Zone Temp Sensor (Novar 3051)</p>	
<p>Digit 19 Disconnect Switch/ Circuit Breaker 0= No Disconnect, circuit break, phase monitor 1= Unit Mount Non-Fused and Disconnect Switch 2= Unit Mount Circuit Breaker 3= Phase Monitor 4= Phase Monitor and Disconnect 5= Phase Monitor and Circuit Breaker</p>	<p>A= Condensate Overflow Switch B= Condensate Overflow Switch and Clogged filter switch C= Condensate Overflow Switch and Fan Fail D= Condensate Overflow Switch and Discharge Air E= Condensate Overflow Switch and Clogged filter switch, Fan Fail F= Condensate Overflow Switch and Clogged filter switch, Discharge Air G= Condensate Overflow Switch and Fan Fail, Discharge Air H= Condensate Overflow Switch, Clogged Filter, Fan Fail, Discharge Air</p>	
<p>Digit 20 Convenience Outlet Option 0= Without Convenience Outlet A= Convenience Outlet Unpowered (FIELD) B= Convenience Outlet Powered (FACTORY)</p>	<p>Digit 26 System Monitoring Controls 0= No monitoring controls A= Demand Control Ventilation B= Fault Detection Device C= Demand Control Ventilation and Fault Detection Device</p>	
<p>Digit 21 Communications Options 0= Without Communications Options 1= Trane Communications Interface 2= Lontalk Communications Interface 3= Novar 2024 Controls Interface 4= Novar 3051 Controls Interface 5= Novar 3051 Communications Interface with Demand Control Ventilation 6= Building Automation Control Network Communications Interface 7= Wireless Building Automation Control Network Communications Interface</p>	<p>Digit 27 Stainless Steel Drain pan 0= No stainless Drain pan 1= Stainless Steel Drain pan</p>	
<p>Digit 22 Refrigeration System Option 0= Standard refrigeration system A= Thermal Expansion Valve (TXV) B= Dehumidification (hot gas reheat)</p>	<p>Digit 28 Short Circuit Current Rating (SCCR) 0= Standard A= 65kA</p>	
<p>Digit 23 Refrigeration Controls 0= Without Refrigeration Controls 1= Frostat 2= Crankcase Heater 3= Frostat and Crankcase Heater 4= High Pressure Control 5= High Pressure Control and Frostat 6= High Pressure and Crankcase Heater 7= High Pressure, Crankcase Heater, Frostat</p>	<p>Digit 29,30 Reserved For Future 0= Standard</p>	
<p>Digit 24 Smoke Detector 0= Without Smoke Detector A= Return Air Smoke Detector B= Supply Air Smoke Detector C= Return/Supply Air Smoke Detector</p>	<p>Digit 31 Unit Controls 0= Standard</p>	

Parts List Number :VOY1000#VOY2UP1

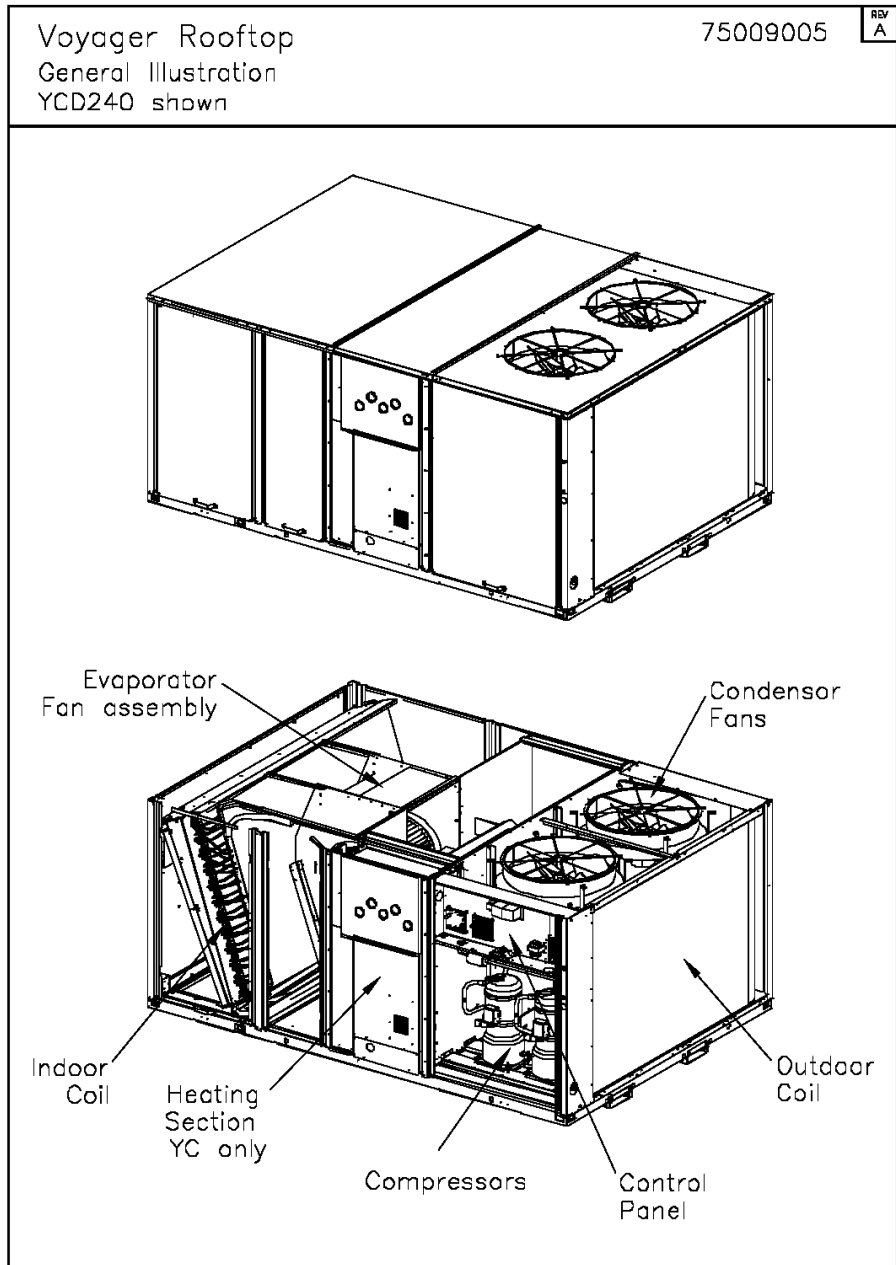
Model Number :THH240G3R0A0000

Part No.	Reference No.	Quantity	Description
75009902_VOY2UP1_100546~P	*		MODEL NUMBER DESCRIPTION DIGIT 18-31 PARTS LIST

Model Number Description	75009902	REV E
<p>Voyager 2 Digits 18-31</p>		
<p>Digit 18 Through The Base Provisions 0= No through the base provisions A= Through the base electric B= Through the base gas C= Through the base electric and gas D= Through the base access</p>	<p>Digit 25 System Monitoring Controls 0= No monitoring controls 1= Clogged filter switch 2= Fan failure switch 3= Discharge air sensing 4= Clogged filter switch and fan failure 5= Clogged switch and discharge air sensing 6= Fan failure switch and discharge air sensing 7= Clogged filter switch, fan failure switch and discharge air sensing 8= NOVAR Return Air Sensor (Novar 2024) 9= NOVAR Zone Temp Sensor (Novar 3051)</p>	
<p>Digit 19 Disconnect Switch/ Circuit Breaker 0= No Disconnect, circuit break, phase monitor 1= Unit Mount Non-Fused and Disconnect Switch 2= Unit Mount Circuit Breaker 3= Phase Monitor 4= Phase Monitor and Disconnect 5= Phase Monitor and Circuit Breaker</p>	<p>A= Condensate Overflow Switch B= Condensate Overflow Switch and Clogged filter switch C= Condensate Overflow Switch and Fan Fail D= Condensate Overflow Switch and Discharge Air E= Condensate Overflow Switch and Clogged filter switch, Fan Fail F= Condensate Overflow Switch and Clogged filter switch, Discharge Air G= Condensate Overflow Switch and Fan Fail, Discharge Air H= Condensate Overflow Switch, Clogged Filter, Fan Fail, Discharge Air</p>	
<p>Digit 20 Convenience Outlet Option 0= Without Convenience Outlet A= Convenience Outlet Unpowered (FIELD) B= Convenience Outlet Powered (FACTORY)</p>		
<p>Digit 21 Communications Options 0= Without Communications Options 1= Trane Communications Interface 2= Lontalk Communications Interface 3= Novar 2024 Controls Interface 4= Novar 3051 Controls Interface 5= Novar 3051 Communications Interface with Demand Control Ventilation 6= Building Automation Control Network Communications Interface 7= Wireless Building Automation Control Network Communications Interface</p>		
<p>Digit 22 Refrigeration System Option 0= Standard refrigeration system A= Thermal Expansion Valve (TXV) B= Dehumidification (hot gas reheat)</p>	<p>Digit 26 System Monitoring Controls 0= No monitoring controls A= Demand Control Ventilation B= Fault Detection Device C= Demand Control Ventilation and Fault Detection Device</p>	
<p>Digit 23 Refrigeration Controls 0= Without Refrigeration Controls 1= Froststat 2= Crankcase Heater 3= Froststat and Crankcase Heater 4= High Pressure Control 5= High Pressure Control and Froststat 6= High Pressure and Crankcase Heater 7= High Pressure, Crankcase Heater, Froststat</p>	<p>Digit 27 Stainless Steel Drain pan 0= No stainless Drain pan 1= Stainless Steel Drain pan</p>	
<p>Digit 24 Smoke Detector 0= Without Smoke Detector A= Return Air Smoke Detector B= Supply Air Smoke Detector C= Return/Supply Air Smoke Detector</p>	<p>Digit 28 Short Circuit Current Rating (SCCR) 0= Standard A= 65kA</p>	
	<p>Digit 29,30 Reserved For Future 0= Standard</p>	
	<p>Digit 31 Unit Controls 0= Standard</p>	



Part No.	Reference No.	Quantity	Description
75009005_VOY2UP1_100543~P	*		GENERAL ILLUSTRATION PARTS LIST

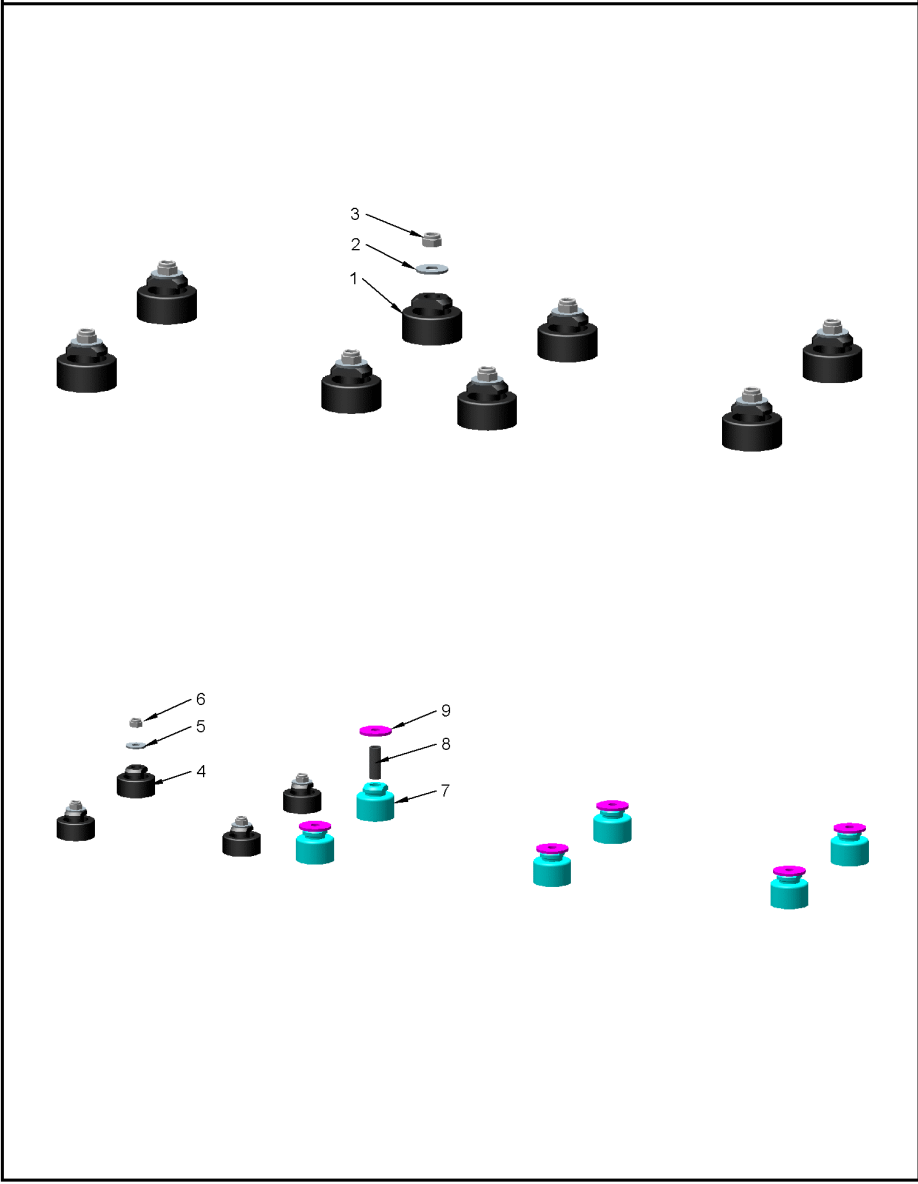


COMPRESSOR MOUNTING HARDWARE

75010913

REV.
A

VOYAGER 2
TYPICAL ILLUSTRATION



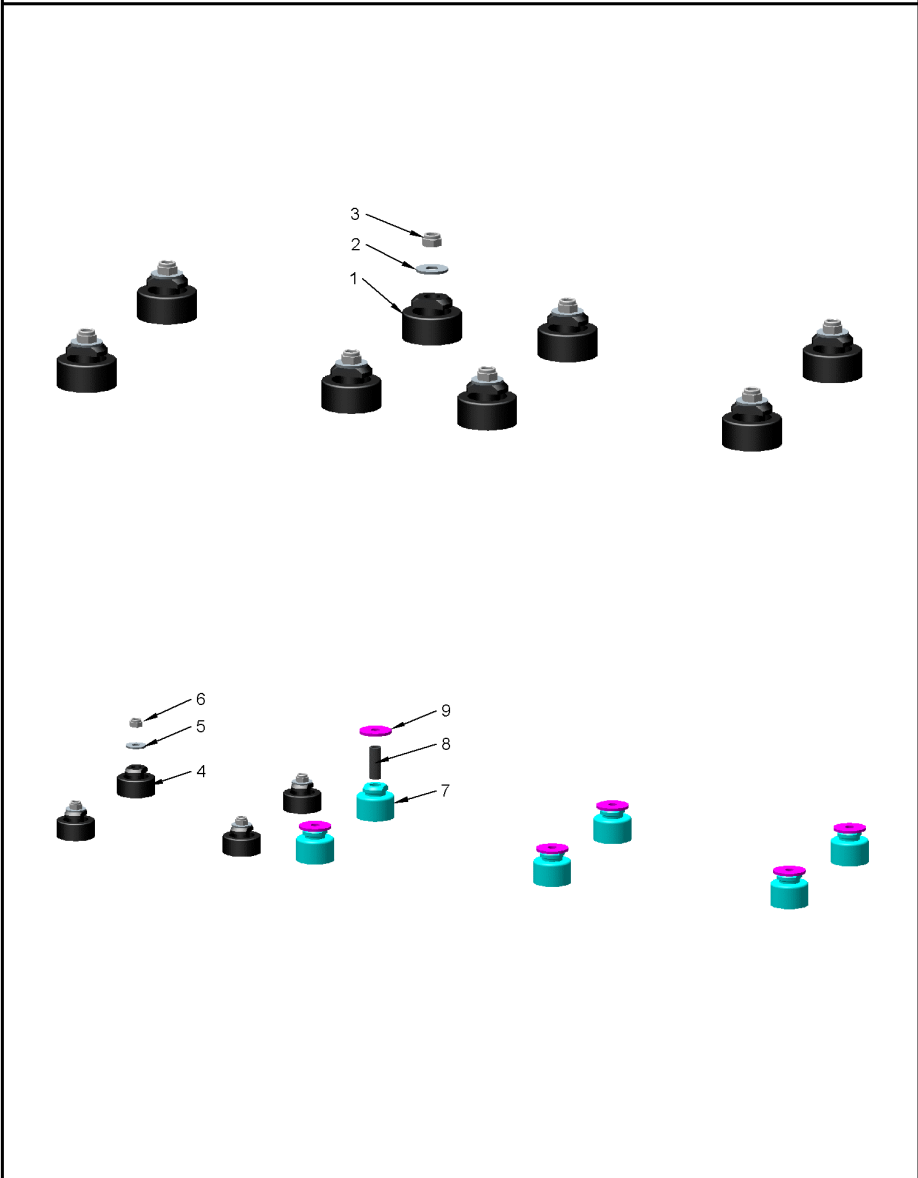
Part No.	Reference No.	Quantity	Description
75010913_VOY2UP1_100688~P	*		COMPRESSOR MOUNTING HARDWARE PARTS LIST

COMPRESSOR MOUNTING HARDWARE

75010913

REV.
A

VOYAGER 2
TYPICAL ILLUSTRATION



Parts List Number :VOY1000#VOY2UP1

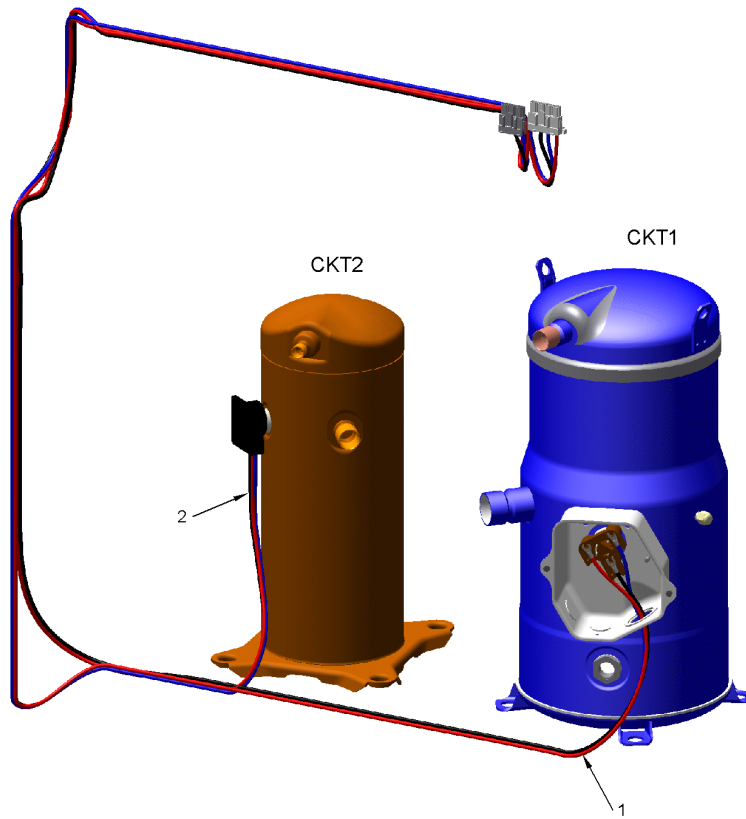
Model Number :THH240G3R0A0000

Part No.	Reference No.	Quantity	Description
GRM00888	1	8	GROMMET; ISOLATOR, COMPRESSOR, .438 ID X .160 GRV, .750 DIA X 1.625 OD, BLACK NEOPRENE RUBBER
NUT00355	3	8	NUT; HEX, LOCK, 5/16IN.-18

COMPRESSOR POWER HARNESSES

75011760

REV
A



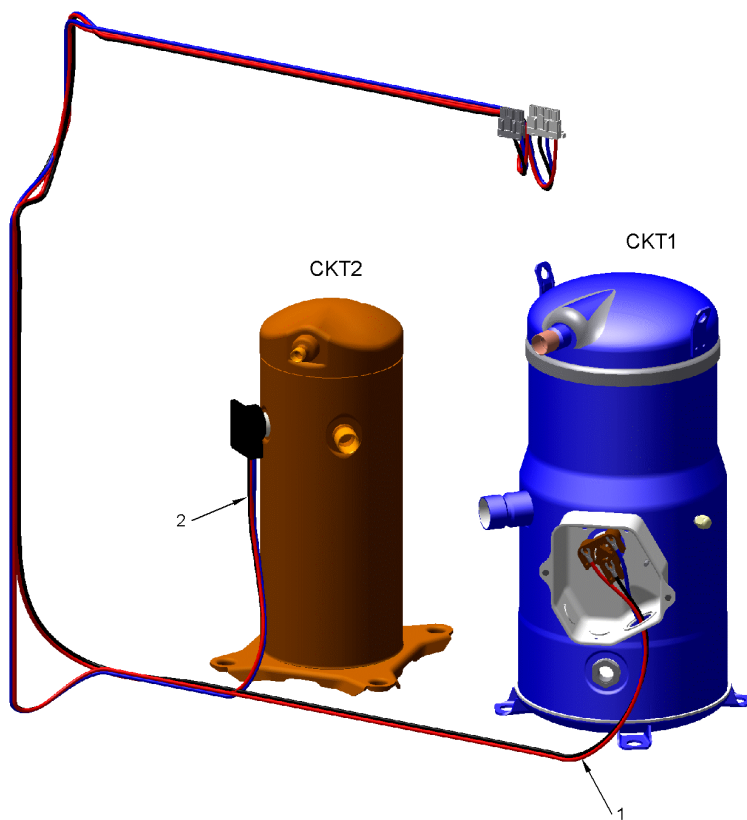
This is a typical illustration. The unit in the field may not appear exactly as shown.

Part No.	Reference No.	Quantity	Description
75011760_VOY2UP1_100976~P	*		75011760_VOY2UP1_100976

COMPRESSOR POWER HARNESSSES

75011760

REV
A



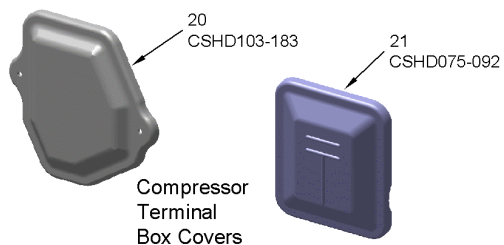
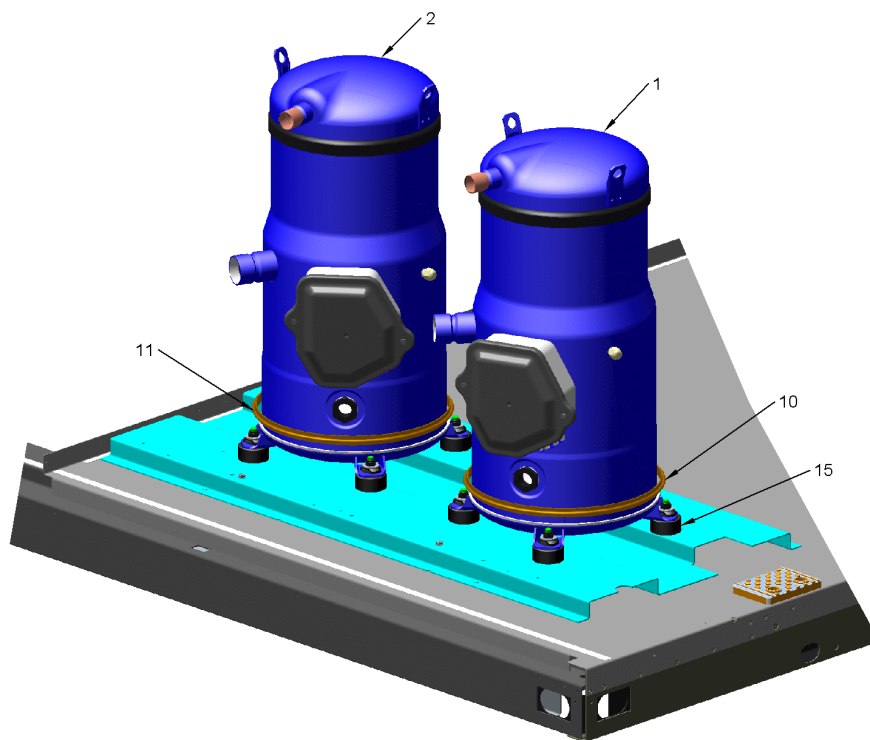
This is a typical illustration. The unit in the field may not appear exactly as shown.

Part No.	Reference No.	Quantity	Description
WIR08156	1	1	WIRE; HARNESS, COMPRESSOR POWER - CIRCUIT 1
WIR08285	2	1	WIRE; HARNESS, COMPRESSOR POWER - CIRCUIT 2

COMPRESSORS
AND CRANKCASE HEATERS

75009908

REV
B



This is a typical illustration. The unit in the field may not appear exactly as shown.

Parts List Number :VOY1000#VOY2UP1

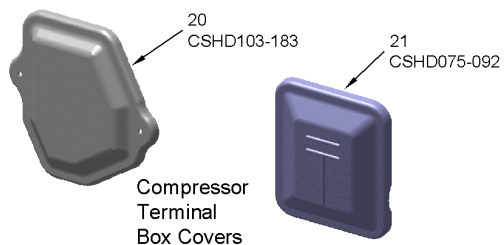
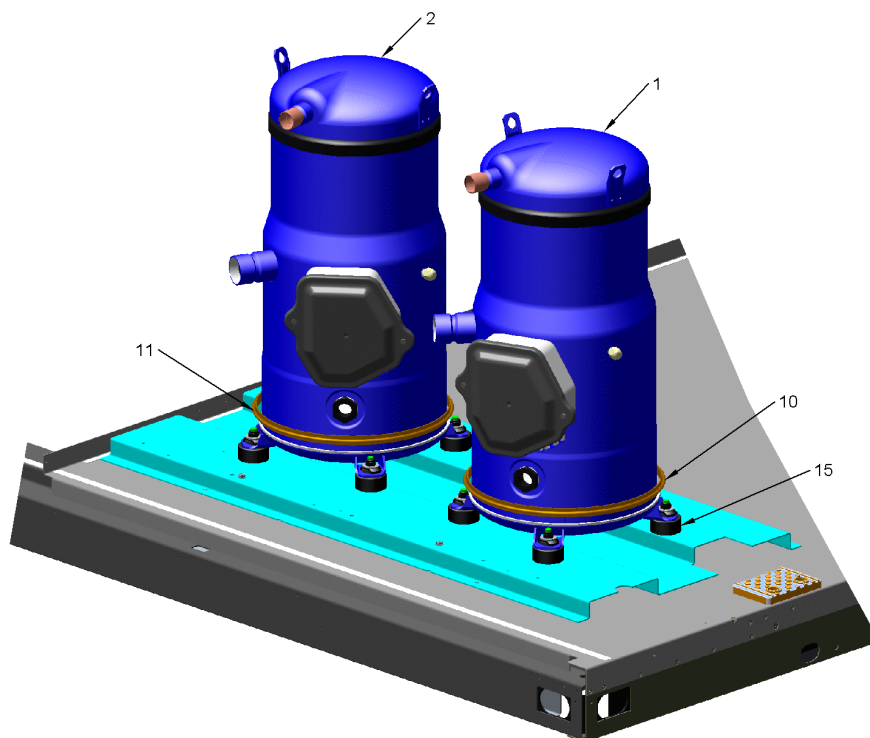
Model Number :THH240G3R0A0000

Part No.	Reference No.	Quantity	Description
75009908_VOY2UP1_122435~P	*		COMPRESSORS AND CRANKCASE HEATERS PARTS LIST

COMPRESSORS
AND CRANKCASE HEATERS

75009908

REV
B



This is a typical illustration. The unit in the field may not appear exactly as shown.

Parts List Number :VOY1000#VOY2UP1

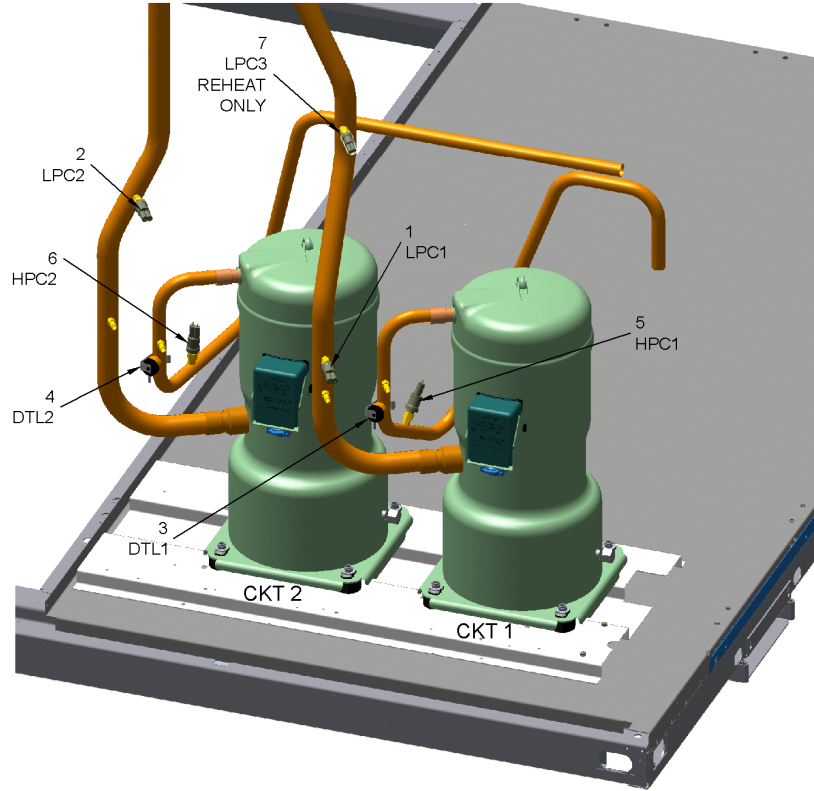
Model Number :THH240G3R0A0000

Part No.	Reference No.	Quantity	Description
GRM00888	15	8	GROMMET; ISOLATOR, COMPRESSOR, .438 ID X .160 GRV, .750 DIA X 1.625 OD, BLACK NEOPRENE RUBBER
COV04174	20	0	COVER; TERMINAL BOX, R410A, LIQUID TIGHT
KIT16237	21	0	KIT; COMPRESSOR COMPONENTS - INCLUDES COVER, TERMINAL BLOCK AND CLIP

REFRIGERATION CIRCUIT CONTROLS

75009944

REV
B



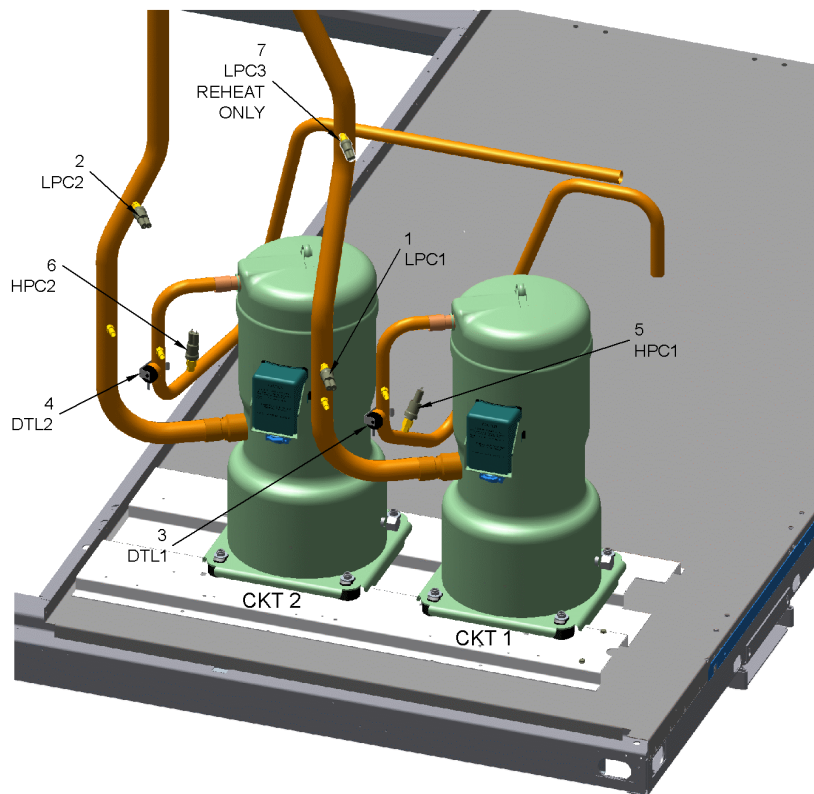
This is a typical illustration. The unit in the field may not appear exactly as shown.

Part No.	Reference No.	Quantity	Description
75009944_VOY2UP1_100550~P	*		REFRIGERATION CIRCUIT CONTROLS PARTS LIST

REFRIGERATION CIRCUIT CONTROLS

75009944

REV
B



This is a typical illustration. The unit in the field may not appear exactly as shown.

Parts List Number :VOY1000#VOY2UP1

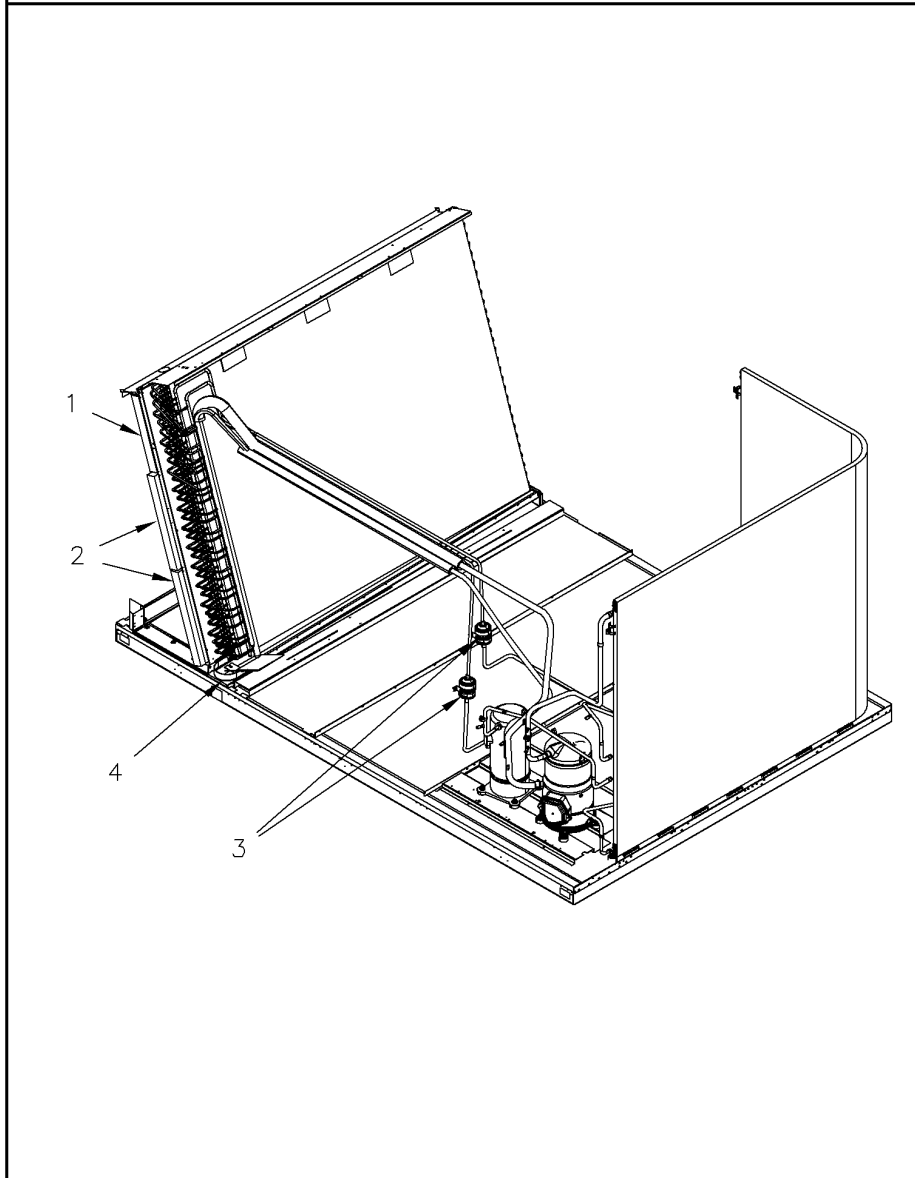
Model Number :THH240G3R0A0000

Part No.	Reference No.	Quantity	Description
CNT04959	1	1	CONTROL: LOW PRESSURE, CLOSE ON RISE 41 PSIG, OPEN ON FALL 25 PSIG, 6.0 FLA, 36 LRA AT 120/240 VAC, BLUE LEADS
CNT04958	5	1	CONTROL: HIGH PRESSURE CUTOFF, ACTUATION PRESSURE 650 PSIG, DEACTUATION PRESSURE 550 PSIG, 6.0 FLA, 36 LRA AT 120/240 VAC, 72 IN LEADS WITH FEMALE 1/4 QC
CNT04960	6	1	CONTROL: HIGH PRESSURE, 650 OPEN, 550 CLOSE, .25 FFL W/DEFLATOR, 72.00 RED LEADS WITH 1/4 FEMALE AND MALE QC-BLACK.

FILTERS AND DRAIN PANS

75009909

REV
A

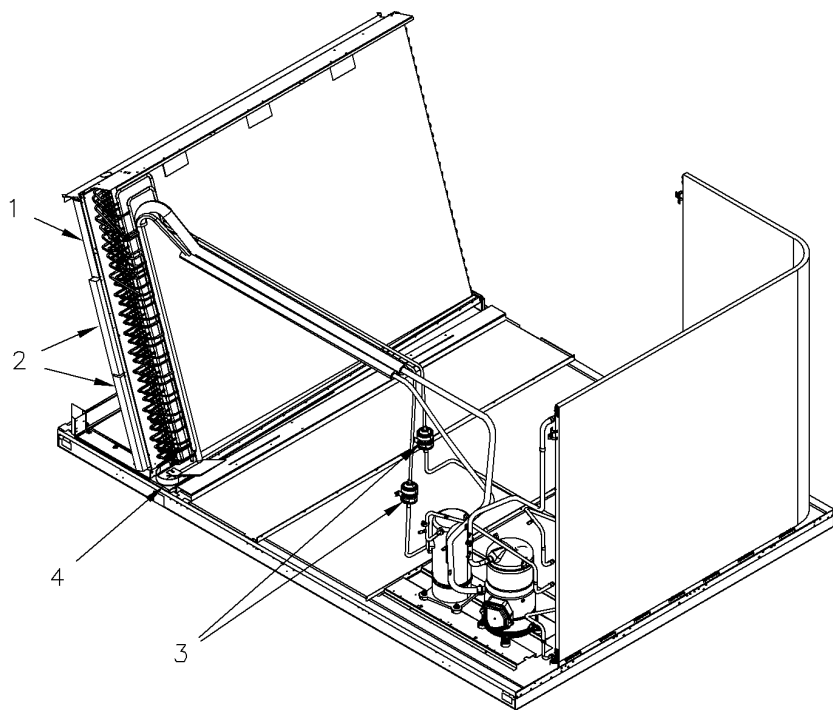


Part No.	Reference No.	Quantity	Description
75009909_VOY2UP1_108026~P	*		FILTERS AND DRAIN PANS PARTS LIST

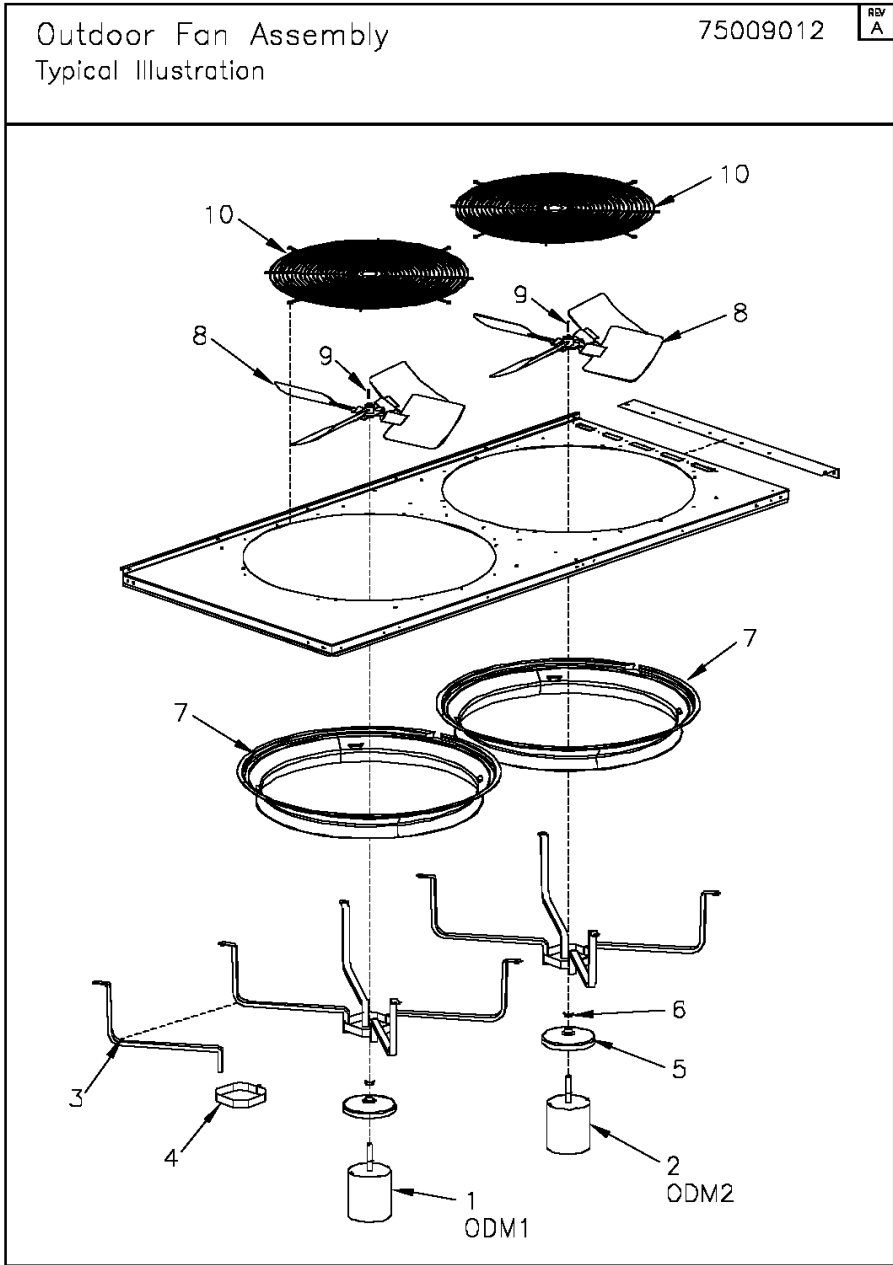
FILTERS AND DRAIN PANS

75009909

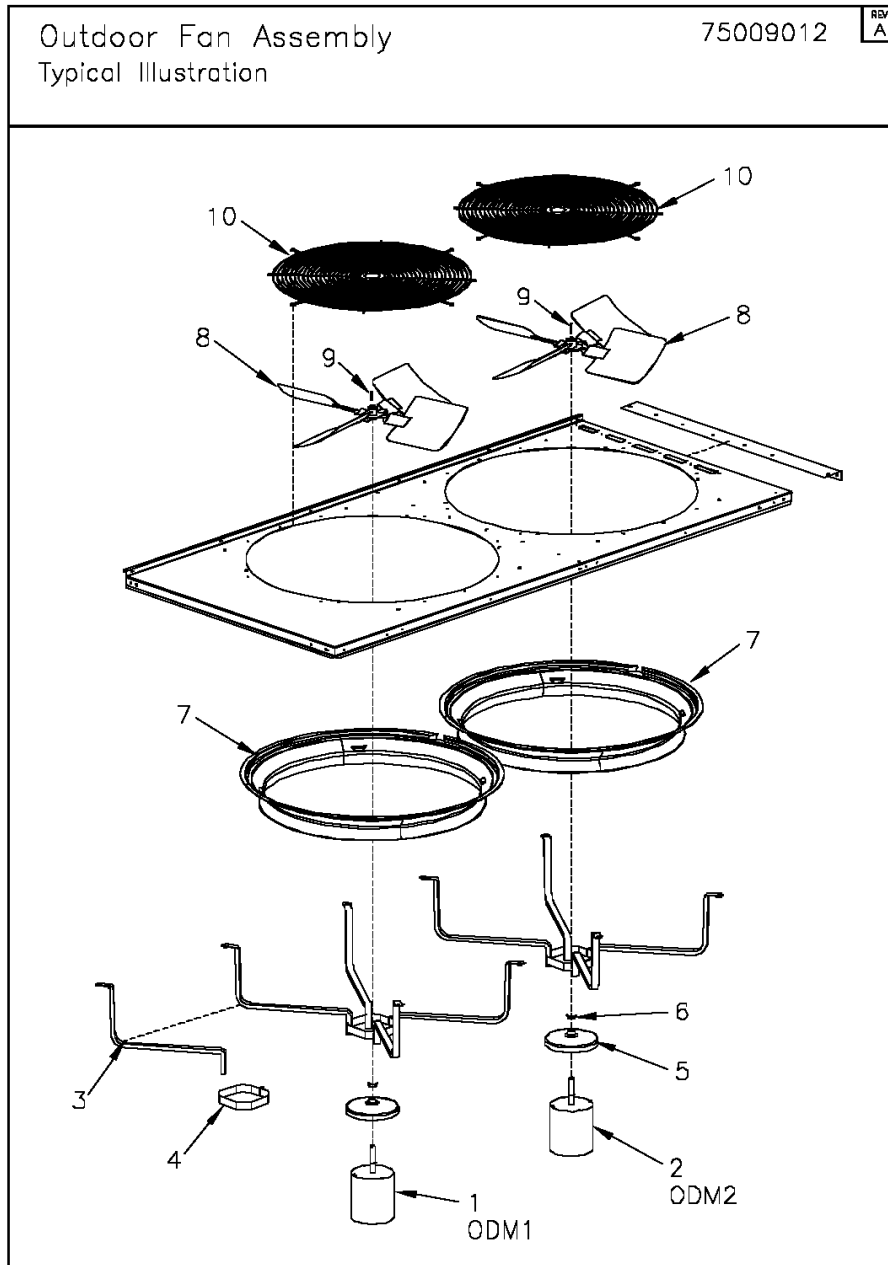
REV
A



Part No.	Reference No.	Quantity	Description
TOL04139	*	2	TOOL; FILTER REMOVAL
DHY01470	3	2	DRIER; LIQUID LINE; SERVICE FIRST; 16 CU. IN. DCL165/4S, 5/8 ODF INLET X 1/2 ODF OUTLET; 11.4 TON CAPACITY; APPROVED FOR MINERAL OIL AND POE OIL REF



Part No.	Reference No.	Quantity	Description
75009012_VOY2UP1_100936~P	*		OUTDOOR FAN ASSEMBLY PARTS LIST

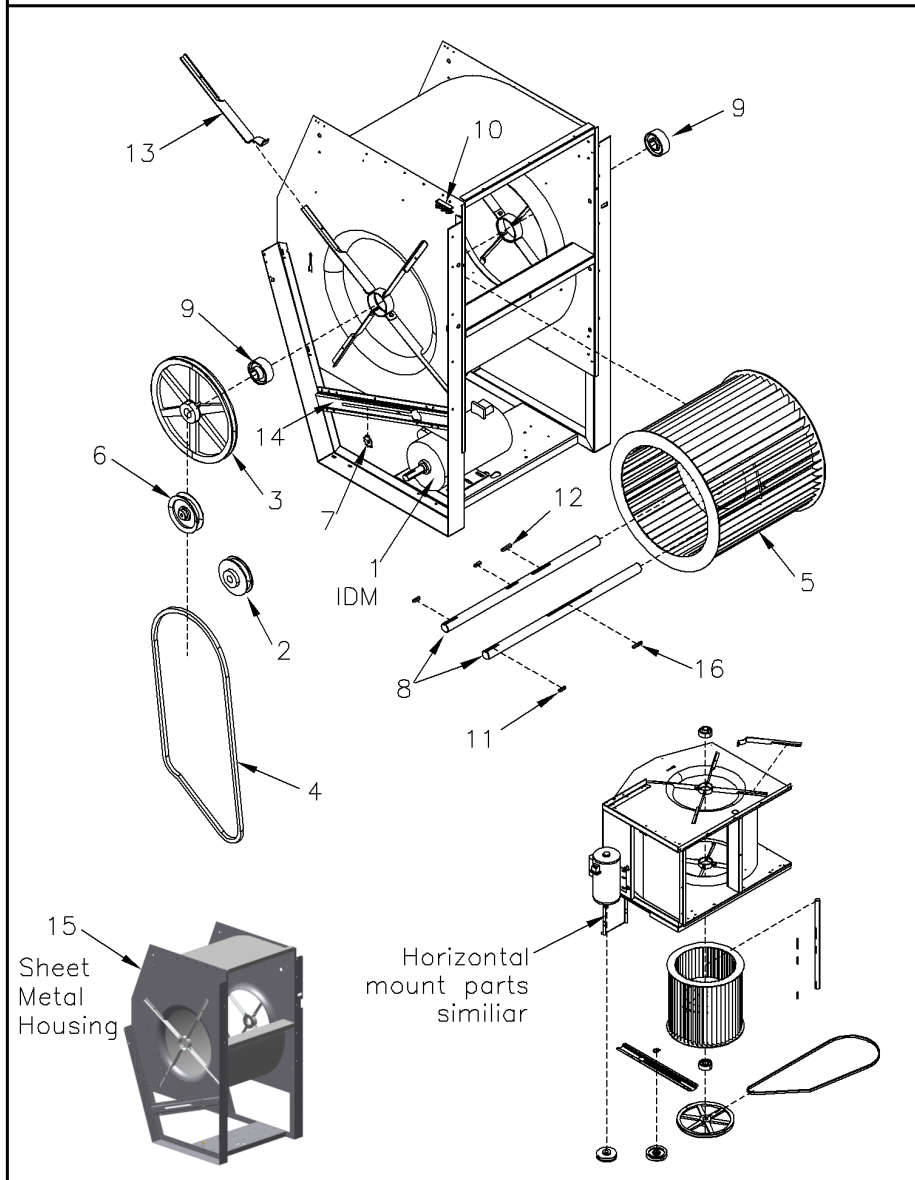


Part No.	Reference No.	Quantity	Description
MOT09189	1	1	MOTOR; .75/1.0 HP, 200-208-230/50-60/1, 950/1125 RPM, 48 FRAME, BB, CCW, 4.4/5.0 FLA, 14.8/14.4 LRA, 25MFD AT 440 VAC.
MOT09188	2	1	MOTOR; .75/1.0 HP, 200-208-230/50-60/1, 950/1125 RPM, 48 FRAME, BB, CCW, TYPE PSC, 4.4/5.0 FLA, 14.8/14.4 LRA, 25MFD AT 440 VAC.
BRK01646	3	8	BRACKET; MOTOR MOUNT 16.88 LEG
BRK01160	4	2	BRACKET, MOTOR MOUNT
SLG00123	5	2	SLINGER; MOTOR COVER, 7.00 DIA X 1.84 DEEP, FOR USE WITH 5/8 INCH MOTOR SHAFT
CMP00842	6	2	CLAMP; HOSE .88 NOM. ID DIA, SELF-TIGHTENING.
ORF00540	7	2	ORIFICE; FAN, 28 IN. INSIDE DIAMETER, 34.50 IN. OUTSIDE DIAMETER
FAN02779	8	2	FAN; 4 BLADE, 28 IN DIA., 29 DEGREE PITCH, CW.
KEY00820	9	2	KEY; .187 SQ X 1.26 LG, LOW CARBON CD STEEL
GRL00314	10	2	GRILLE; FAN, 33 INCH DIA, 35.50 MTG DIA

Indoor Fan Assembly
Downflow detail shown

75009952

REV
D

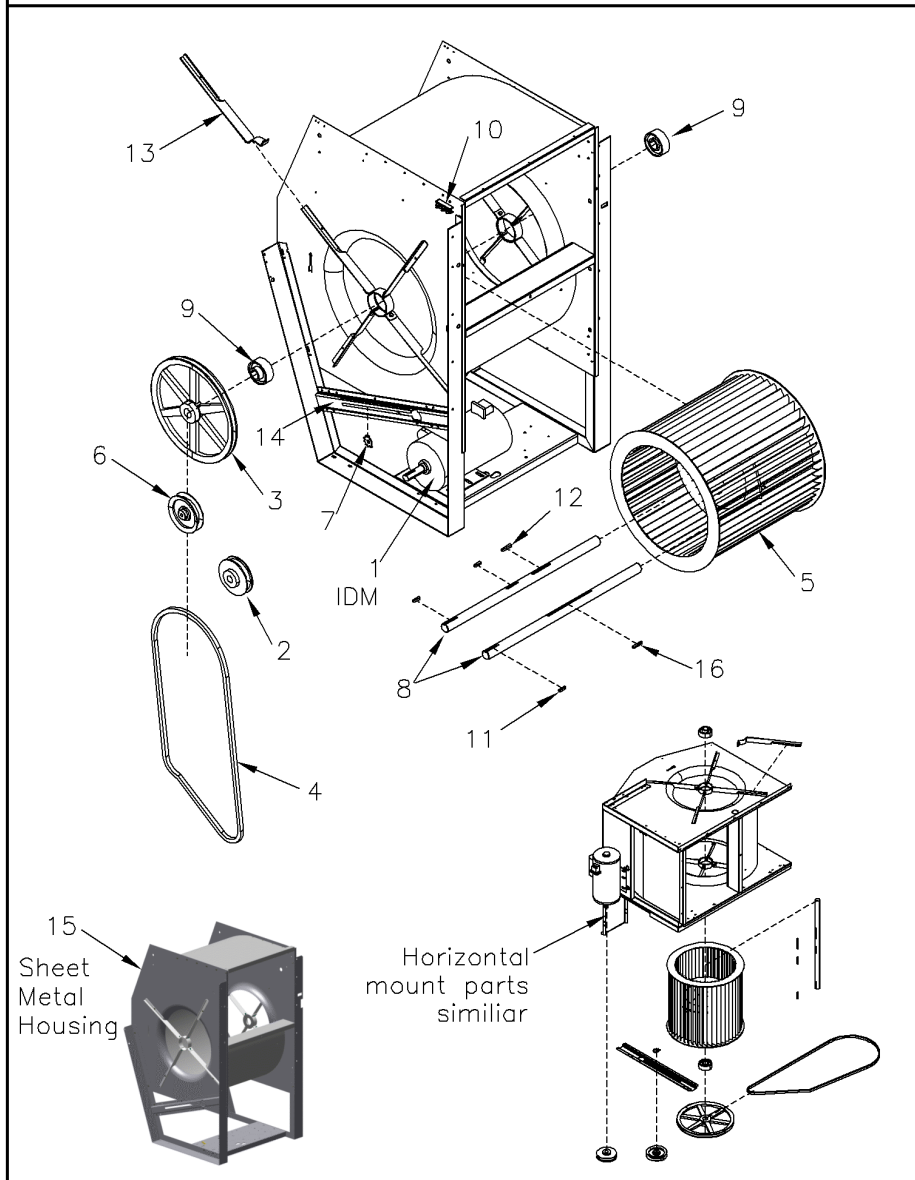


Part No.	Reference No.	Quantity	Description
75009952_VOY2UP1_257114~P	*		INDOOR FAN ASSEMBLY PARTS LIST

Indoor Fan Assembly
Downflow detail shown

75009952

REV
D

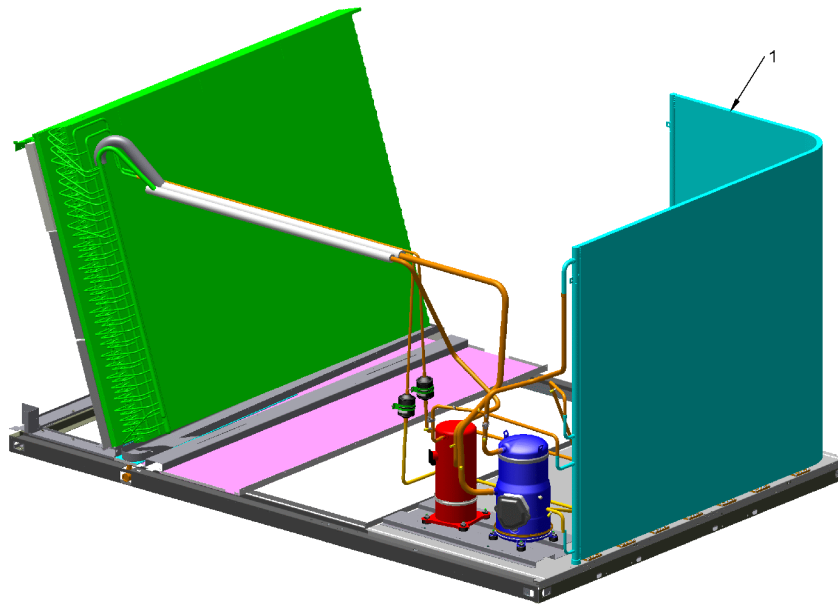


Part No.	Reference No.	Quantity	Description
MOT03765	1	1	MOTOR; 5 HP AT 208-230/460/60/3, 3 HP AT 200/380-415/50/3, 56 HZ FRAME, 2 POLE, 3450 RPM (BOTH HP), BALL BEARING, ODP, THERMALLY PROTECTED
SHE00046	2	1	SHEAVE; 1VL40, 7/8 IN. BORE
SHE01007	3	1	SHEAVE; BK190, 1-3/16 BORE
B00212	4	1	BELT;V, BX96, 99.0 OUTSIDE LG. X 97.8 PITCH LG.
WHL00626	5	1	WHEEL; FAN, STEEL, 18 DIA X 18 LG, 1.188 BORE, BELT
SHE01565	6	1	SHEAVE; STEEL IDLER, V-BELT, 3/8
GER00321	7	1	GEAR; IDLER
SHF01505	8	1	SHAFT; FAN, 1 3/16 DIA X 25.968 LG
BRG00870	9	2	BEARING, 1.19 BORE, 3.09 OD X 1.19 WIDE
BLK00288	10	1	BLOCK; TERMINAL, 3 POLE, 20 AMP, 300V
KEY00300	11	1	KEY; 1/4 IN X 1/4 IN X 1-1/2 IN
KEY00299	12	2	KEY; 1/4 IN X 1/4 IN X 1 IN
BRK01162	13	8	BRACKET; BEARING ARM
SUP04567	14	1	SUPPORT; IDLER

OUTDOOR CONDENSER COIL

75009910

REV
C



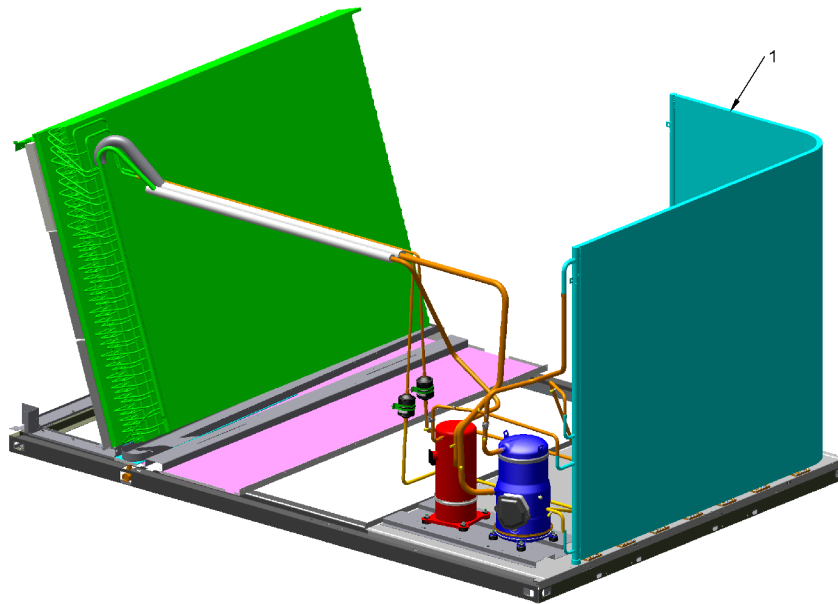
This is a typical illustration. The unit in the field may not appear exactly as shown.

Part No.	Reference No.	Quantity	Description
75009910_VOY2UP1_103270~P	*		OUTDOOR CONDENSOR COIL PARTS LIST

OUTDOOR CONDENSER COIL

75009910

REV
C



This is a typical illustration. The unit in the field may not appear exactly as shown.

OUTDOOR CONDENSOR COIL PARTS LIST

Parts List Number :VOY1000#VOY2UP1

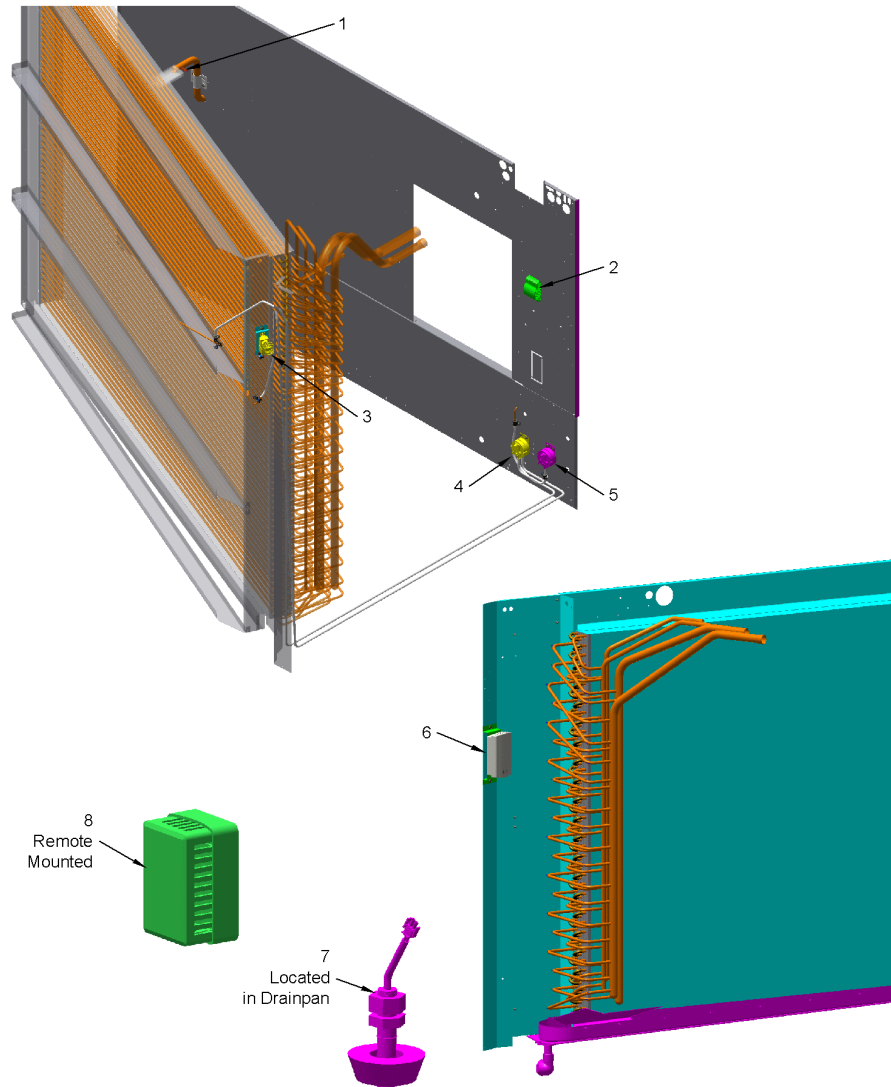
Model Number :THH240G3R0A0000

Part No.	Reference No.	Quantity	Description
COL18115	1	1	COIL; OUTDOOR, MCH E BENT

UNIT SENSORS

75009958

REV
B



This is a typical illustration. The unit in the field may not appear exactly as shown.

Parts List Number :VOY1000#VOY2UP1

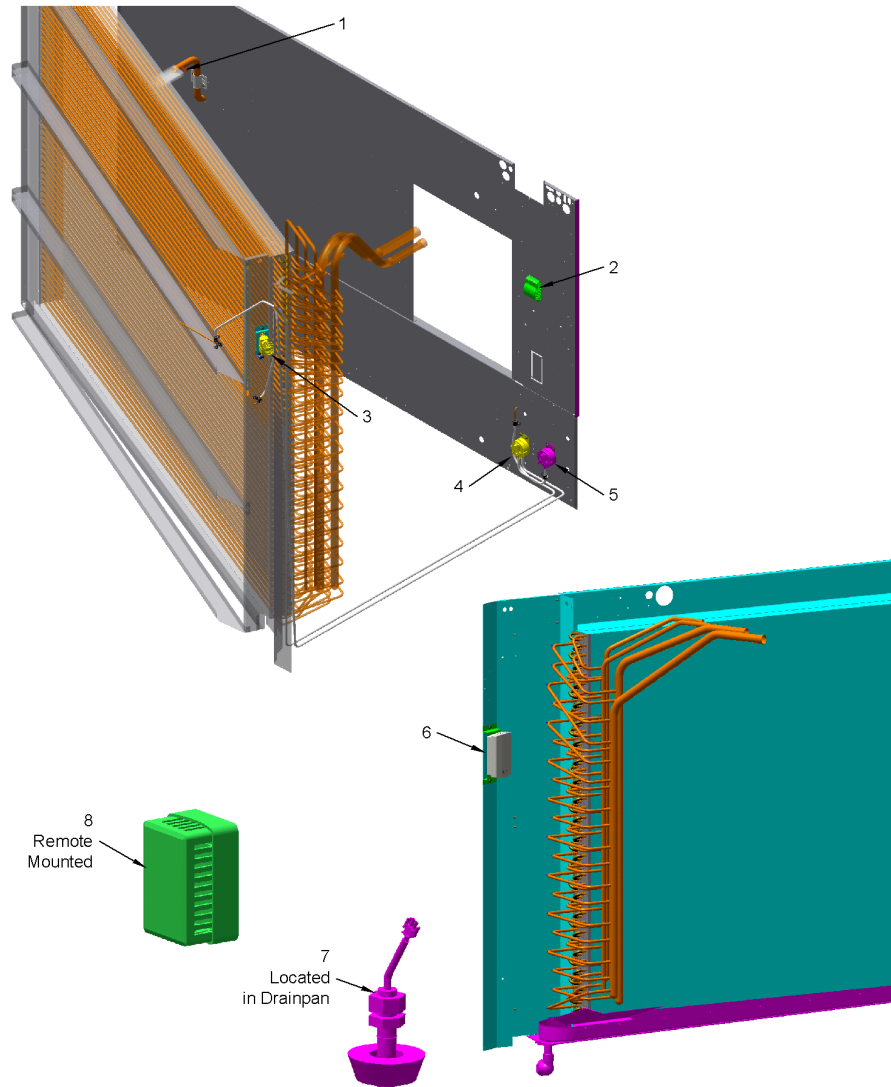
Model Number :THH240G3R0A0000

Part No.	Reference No.	Quantity	Description
75009958_VOY2UP1_102380~P	*		UNIT SENSING PARTS LIST

UNIT SENSORS

75009958

REV
B



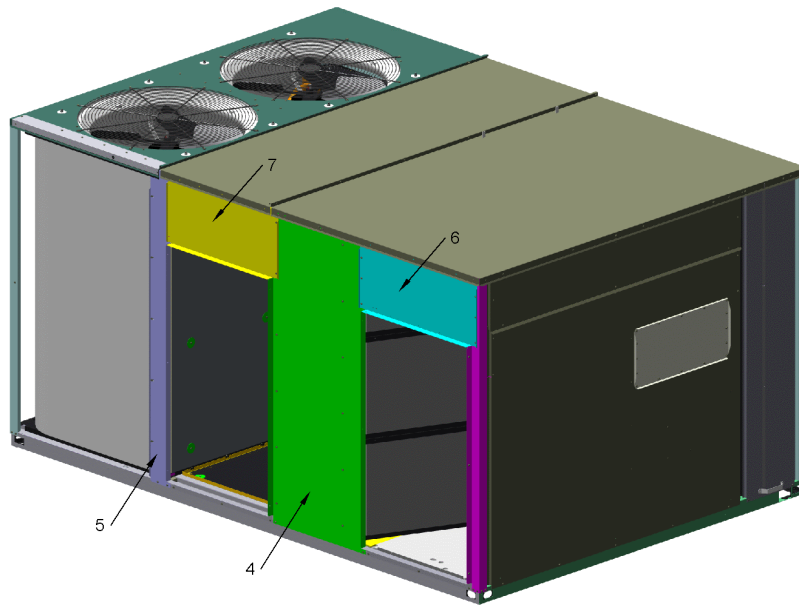
This is a typical illustration. The unit in the field may not appear exactly as shown.

Part No.	Reference No.	Quantity	Description
CNT06849	3	1	CONTROL; DEFROST W / CAPILLARY, 60"

AIR FLOW PANELS

75012745

REV.
A



This is a typical illustration. The unit in the field may not appear exactly as shown.

Parts List Number :VOY1000#VOY2UP1

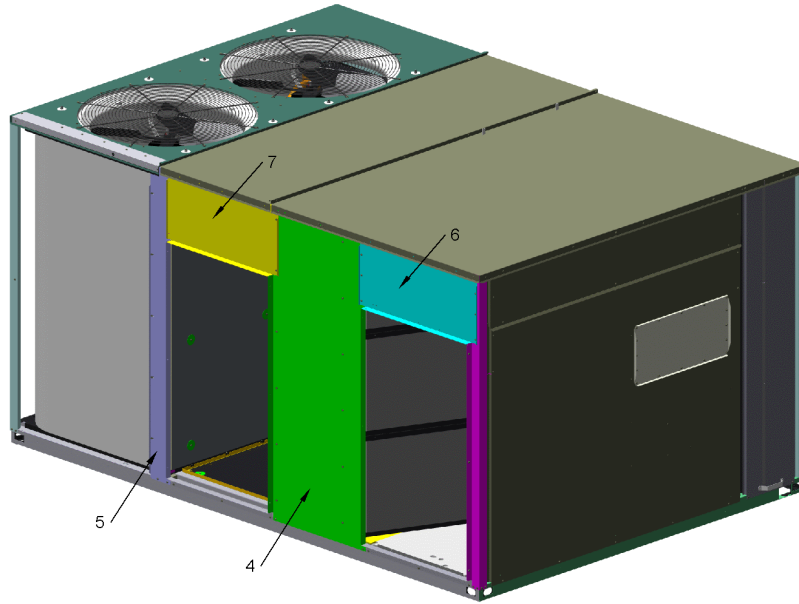
Model Number :THH240G3R0A0000

Part No.	Reference No.	Quantity	Description
75012745_VOY2UP1_103591~P	*		AIR FLOW PANELS PARTS LIST

AIR FLOW PANELS

75012745

REV.
A



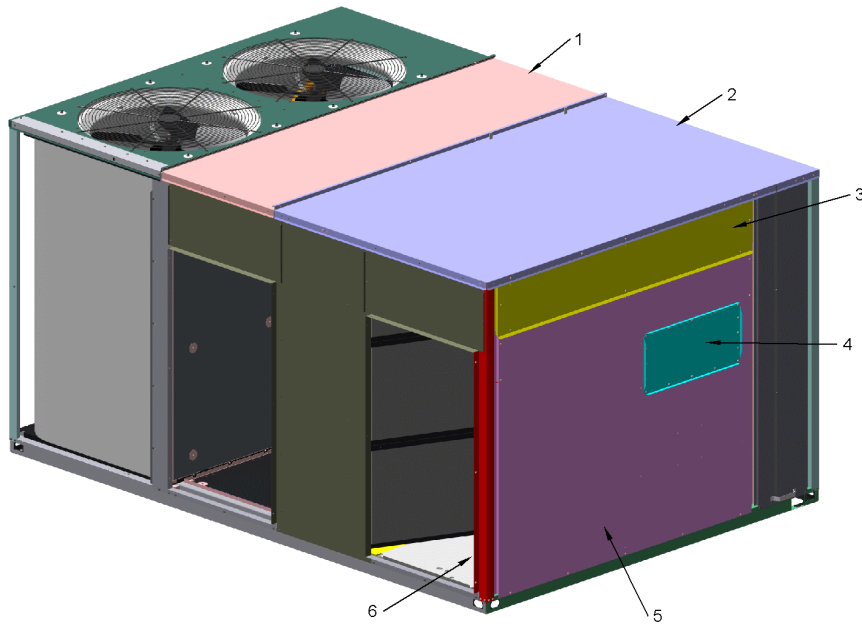
This is a typical illustration. The unit in the field may not appear exactly as shown.

Part No.	Reference No.	Quantity	Description
PNL30975	4	1	PANEL; REAR DUCT DIVIDER
BRK05022	7	1	BRACKET; DUCT FLANGE SUPPLY AIR

COMM PANELS
HORIZONTAL

75012750

REV.
A



This is a typical illustration. The unit in the field may not appear exactly as shown.

Parts List Number :VOY1000#VOY2UP1

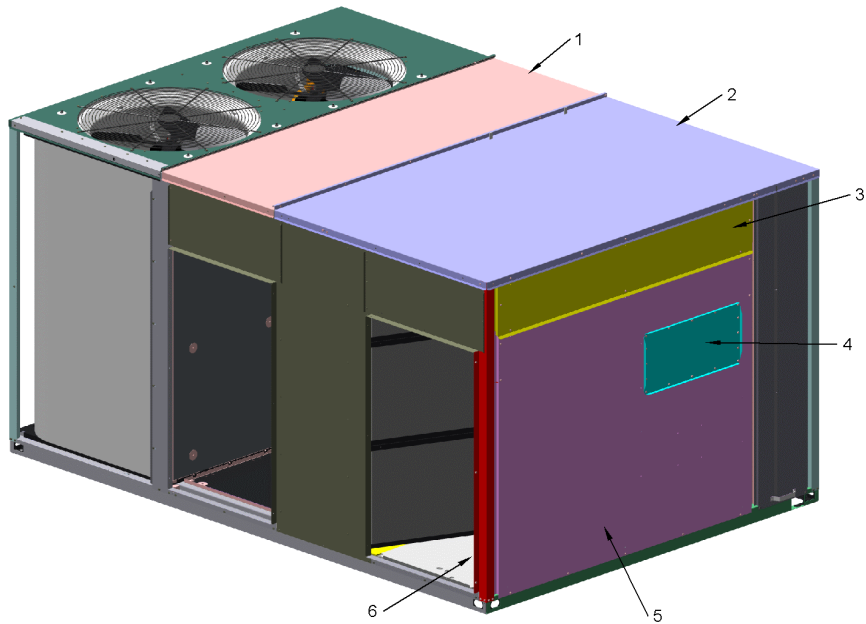
Model Number :THH240G3R0A0000

Part No.	Reference No.	Quantity	Description
75012750_VOY2UP1_103592~P	*		COMM PANELS PARTS LIST

COMM PANELS
HORIZONTAL

75012750

REV.
A



This is a typical illustration. The unit in the field may not appear exactly as shown.

Part No.	Reference No.	Quantity	Description
COV01384	1	1	COVER, TOP HEAT SECTION ASSEMBLY
COV01383	2	1	COVER, ID SECTION TOP ASSEMBLY
PNL31983	3	1	PANEL; TOP ECONOMINZER
COV01353	4	1	COVER, MANUAL FRESH AIR, 24.42 X 11.71
PNN01200	5	1	PANEL; ECONOMIZER

VOYAGER
OPTIONAL FIELD INSTALLED ACCESSORIES

75012144

REV.
A

ACCESSORY TYPE

ECON = Economizer	ISLT = Isolator
ASCT = Anti-Cycle Timer	KSKT = Start Accessory Kit
BARM = Barometric Relief	LEGS = Snow Legs
BASE = Base	LIFT = Roof Mount Kit
BURN = Burner	LOAM = Low Ambient
CTHI = Board-Convention Interface	LPKT = L.P. Kit
CURB = Roofcurb	MOTR = Low Ambient Motor Kit
CCHT = Crankcase Heater	NXKT = No Oxide Kit
DFSR = Air Diffuser	PLNM = Plenum
DMPR = SS Damper	PLUS = Plus One Kit
DNKT = Downflow Kit	PSMN = Power Supply Monitor Kit
FCCV = Flow Control Check Valve	PWRX = Power Exhaust
FLSW = Flow Switch	QACB = Quick Adapt Curb
FLTR = Filter	RLAY = Relay
FRST = High Temperature Sensor	SENS = Sensor
GARD = Coil Guard	SPEK = Single Source Power Entry
HALT = High Altitude Kit	STAT = Thermostat
HSDR = Optimized Sheave Accessory	STMT = Elapsed Time Meter
HSMT = Oversized Motor Kit or High Static Motor	TBKT = Thru Base Utility Kit
HTR = Electric Heater (Digit 7 is used to differentiate the products accessory is used with)	TEST = Test Accessory
ICSI = Board Communication Interface	TIME = ICS Interface Kit
	TXVA = Thermal Expansion Valve Kit
	TXVH = Thermal Expansion Valve Kit
	VDPR = Vent Damper
	WATR = Hot Water or Steam Coil
	2STG = 2 Stage Gas

**When identifying accessories please
refer to WAVE94591.**

Parts List Number :VOY1000#VOY2UP1

Model Number :THH240G3R0A0000

Part No.	Reference No.	Quantity	Description
75012144_VOY2UP1_100562~P	*		OPTIONAL FIELD INSTALLED ACCESSORIES PARTS LIST

75012144

REV
B

OPTIONAL FIELD INSTALLED ACCESSORIES

ACCESSORY TYPE

ECON = Economizer	ISLT = Isolator
ASCT = Anti-Cycle Timer	KSKT = Start Accessory Kit
BARM = Barometric Relief	LEGS = Snow Legs
BASE = Base	LIFT = Roof Mount Kit
BURN = Burner	LOAM = Low Ambient
CTHI = Board-Convention Interface	LPKT = L.P. Kit
CURB = Roofcurb	MOTR = Low Ambient Motor Kit
CCHT = Crankcase Heater	NXKT = No Oxide Kit
DFSR = Air Diffuser	PLNM = Plenum
DMPR = SS Damper	PLUS = Plus One Kit
DNKT = Downflow Kit	PSMN = Power Supply Monitor Kit
FCCV = Flow Control Check Valve	PWRX = Power Exhaust
FLSW = Flow Switch	QACB = Quick Adapt Curb
FLTR = Filter	RLAY = Relay
FRST = High Temperature Sensor	SENS = Sensor
GARD = Coil Guard	SPEK = Single Source Power Entry
HALT = High Altitude Kit	STAT = Thermostat
HSDR = Optimized Sheave Accessory	STMT = Elapsed Time Meter
HSMT = Oversized Motor Kit or High Static Motor	TBKT = Thru Base Utility Kit
HTR = Electric Heater (Digit 7 is used to differentiate the products accessory is used with)	TEST = Test Accessory
ICSI = Board Communication Interface	TIME = ICS Interface Kit
	TXVA = Thermal Expansion Valve Kit
	TXVH = Thermal Expansion Valve Kit
	VDPR = Vent Damper
	WATR = Hot Water or Steam Coil
	2STG = 2 Stage Gas

When identifying accessories please refer to WAVE94591 to select product catalog and identify the accessory.

Parts List Number :VOY1000#VOY2UP1

Model Number :THH240G3R0A0000