

| Part No. | Reference No. | Quantity | Description |
|------------------------|----------------------|-----------------|-------------------------|
| 75006840#TFDUP8~S | * | | MODEL NOMENCLATURE |
| TFDUP8_TFDUP8_125579~P | * | | TFDUP8 PARTS LIST |
| 75008214#TFDUP8~S | * | | WHOLE HOUSE AIR CLEANER |

| NOMENCLATURE | | | | | | | | | | | | | | 75006840 | REV A |
|---------------------------------|---------|----------------|----------------|--------------|--------------|--------------|-----------------------|-----------------------|--------------------|---------|-----------------------|-----------------------|----------|--------------------|---------------|
| Whole House Air Cleaner Units | | | | | | | | | | | | | | | |
| Model Number Digit | 1 | 2 | 3 | 4 | 5 | 6 | 7 | 8 | 9 | 10 | 11 | 12 | 13 | 14 | 15 |
| | Brand | Accessory Type | Accessory Type | Model Series | Model Series | Model Series | Equipment Application | Equipment Application | Major Modification | Voltage | Equipment Application | Equipment Application | Not Used | Minor Modification | Service Digit |
| ifD Feature | Example | | | | | | | | | | | | | | |
| Trane | T | F | D | 1 | 7 | 5 | A | L | F | R | 0 | 0 | 0 | A | A |
| American Standard | A | | | | | | | | | | | | | | |
| Filtration | | F | | | | | | | | | | | | | |
| ifD | | | D | | | | | | | | | | | | |
| Model Series Dimension | | | | 1 | 4 | 5 | | | | | | | | | |
| Model Series Dimension Downflow | | | | 1 | 4 | D | | | | | | | | | |
| Model Series Dimension | | | | 1 | 7 | 5 | | | | | | | | | |
| Model Series Dimension Downflow | | | | 1 | 7 | D | | | | | | | | | |
| Model Series Dimension | | | | 2 | 1 | 0 | | | | | | | | | |
| Model Series Dimension Downflow | | | | 2 | 1 | D | | | | | | | | | |
| Model Series Dimension | | | | 2 | 4 | 5 | | | | | | | | | |
| Model Series Dimension Downflow | | | | 2 | 4 | D | | | | | | | | | |
| Model Series Dimension | | | | 2 | 1 | 5 | | | | | | | | | |
| Model Series Dimension | | | | 2 | 3 | 5 | | | | | | | | | |
| Model Series Dimension | | | | 2 | 6 | 0 | | | | | | | | | |
| Major Design Series | | | | | | | A | | | | | | | | |
| Power Supply L = low voltage | | | | | | | | L | | | | | | | |
| Application FR = Furnace | | | | | | | | | F | R | | | | | |
| Application AH = Air Handler | | | | | | | | | A | H | | | | | |
| Not Used | | | | | | | | | | | 0 | 0 | 0 | | |
| Minor Design | | | | | | | | | | | | | | A | |
| Service Digit A,B,C, etc. | | | | | | | | | | | | | | | A |
| Models | | | | | | | | | | | | | | | |
| 14.5" Furnace | T | F | D | 1 | 4 | 5 | A | L | F | R | 0 | 0 | 0 | A | A |
| 14.5" Furnace Downflow | T | F | D | 1 | 4 | D | A | L | F | R | 0 | 0 | 0 | A | A |
| 17.5" Furnace | T | F | D | 1 | 7 | 5 | A | L | F | R | 0 | 0 | 0 | A | A |
| 17.5" Furnace Downflow | T | F | D | 1 | 7 | D | A | L | F | R | 0 | 0 | 0 | A | A |
| 21" Furnace | T | F | D | 2 | 1 | 0 | A | L | F | R | 0 | 0 | 0 | A | A |
| 21" Furnace Downflow | T | F | D | 2 | 1 | D | A | L | F | R | 0 | 0 | 0 | A | A |
| 24.5" Furnace | T | F | D | 2 | 4 | 5 | A | L | F | R | 0 | 0 | 0 | A | A |
| 24.5" Furnace Downflow | T | F | D | 2 | 4 | D | A | L | F | R | 0 | 0 | 0 | A | A |
| 21.5" Air Handler | T | F | D | 2 | 1 | 5 | A | L | A | H | 0 | 0 | 0 | A | A |
| 23.5" Air Handler | T | F | D | 2 | 3 | 5 | A | L | A | H | 0 | 0 | 0 | A | A |
| 26" Air Handler | T | F | D | 2 | 6 | 0 | A | L | A | H | 0 | 0 | 0 | A | A |

| Part No. | Reference No. | Quantity | Description |
|--------------------------|---------------|----------|-------------------------------|
| 75006840_TFDUP8_125580~P | * | | MODEL NOMENCLATURE PARTS LIST |

| NOMENCLATURE | | 75006840 | | | | | | | | | | | | | REV A |
|---------------------------------|-------|----------------|----------------|--------------|--------------|--------------|-----------------------|-----------------------|--------------------|---------|-----------------------|-----------------------|----------|--------------------|---------------|
| Whole House Air Cleaner Units | | | | | | | | | | | | | | | |
| Model Number Digit | 1 | 2 | 3 | 4 | 5 | 6 | 7 | 8 | 9 | 10 | 11 | 12 | 13 | 14 | 15 |
| ifD Feature | Brand | Accessory Type | Accessory Type | Model Series | Model Series | Model Series | Equipment Application | Equipment Application | Major Modification | Voltage | Equipment Application | Equipment Application | Not Used | Minor Modification | Service Digit |
| Example | T | F | D | 1 | 7 | 5 | A | L | F | R | 0 | 0 | 0 | A | A |
| Trane | T | | | | | | | | | | | | | | |
| American Standard | A | | | | | | | | | | | | | | |
| Filtration | | F | | | | | | | | | | | | | |
| ifD | | | D | | | | | | | | | | | | |
| Model Series Dimension | | | | 1 | 4 | 5 | | | | | | | | | |
| Model Series Dimension Downflow | | | | 1 | 4 | D | | | | | | | | | |
| Model Series Dimension | | | | 1 | 7 | 5 | | | | | | | | | |
| Model Series Dimension Downflow | | | | 1 | 7 | D | | | | | | | | | |
| Model Series Dimension | | | | 2 | 1 | 0 | | | | | | | | | |
| Model Series Dimension Downflow | | | | 2 | 1 | D | | | | | | | | | |
| Model Series Dimension | | | | 2 | 4 | 5 | | | | | | | | | |
| Model Series Dimension Downflow | | | | 2 | 4 | D | | | | | | | | | |
| Model Series Dimension | | | | 2 | 1 | 5 | | | | | | | | | |
| Model Series Dimension | | | | 2 | 3 | 5 | | | | | | | | | |
| Model Series Dimension | | | | 2 | 6 | 0 | | | | | | | | | |
| Major Design Series | | | | | | | A | | | | | | | | |
| Power Supply L = low voltage | | | | | | | | L | | | | | | | |
| Application FR = Furnace | | | | | | | | | F | R | | | | | |
| Application AH = Air Handler | | | | | | | | | A | H | | | | | |
| Not Used | | | | | | | | | | | 0 | 0 | 0 | | |
| Minor Design | | | | | | | | | | | | | | A | |
| Service Digit A,B,C, etc. | | | | | | | | | | | | | | | A |
| Models | | | | | | | | | | | | | | | |
| 14.5" Furnace | T | F | D | 1 | 4 | 5 | A | L | F | R | 0 | 0 | 0 | A | A |
| 14.5" Furnace Downflow | T | F | D | 1 | 4 | D | A | L | F | R | 0 | 0 | 0 | A | A |
| 17.5" Furnace | T | F | D | 1 | 7 | 5 | A | L | F | R | 0 | 0 | 0 | A | A |
| 17.5" Furnace Downflow | T | F | D | 1 | 7 | D | A | L | F | R | 0 | 0 | 0 | A | A |
| 21" Furnace | T | F | D | 2 | 1 | 0 | A | L | F | R | 0 | 0 | 0 | A | A |
| 21" Furnace Downflow | T | F | D | 2 | 1 | D | A | L | F | R | 0 | 0 | 0 | A | A |
| 24.5" Furnace | T | F | D | 2 | 4 | 5 | A | L | F | R | 0 | 0 | 0 | A | A |
| 24.5" Furnace Downflow | T | F | D | 2 | 4 | D | A | L | F | R | 0 | 0 | 0 | A | A |
| 21.5" Air Handler | T | F | D | 2 | 1 | 5 | A | L | A | H | 0 | 0 | 0 | A | A |
| 23.5" Air Handler | T | F | D | 2 | 3 | 5 | A | L | A | H | 0 | 0 | 0 | A | A |
| 26" Air Handler | T | F | D | 2 | 6 | 0 | A | L | A | H | 0 | 0 | 0 | A | A |

NO GRAPHIC AVAILABLE

75013702

REV
A

**NO
GRAPHIC
AVAILABLE**

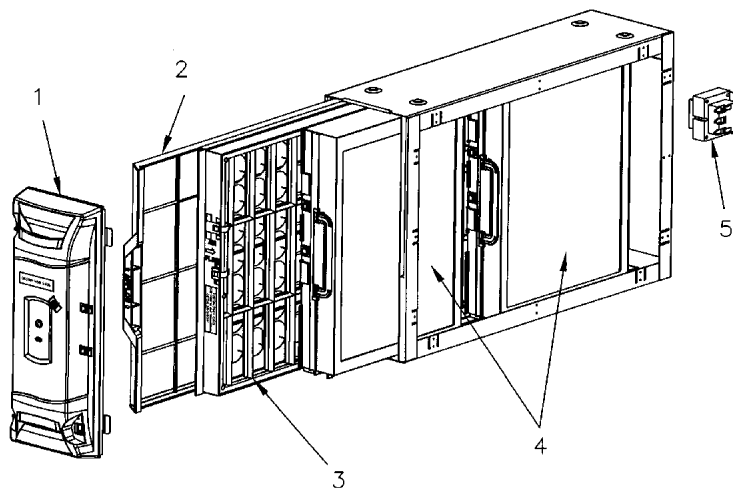
Whole House Air Cleaner

75008214

REV
A

Typical Illustration. Unit may not appear exactly as shown.

The Complete Accessory Must Be Ordered
Through Sales



* Not Illustrated.

| Part No. | Reference No. | Quantity | Description |
|--------------------------|---------------|----------|------------------------------------|
| 75008214_TFDUP8_180086~P | * | | WHOLE HOUSE AIR CLEANER PARTS LIST |

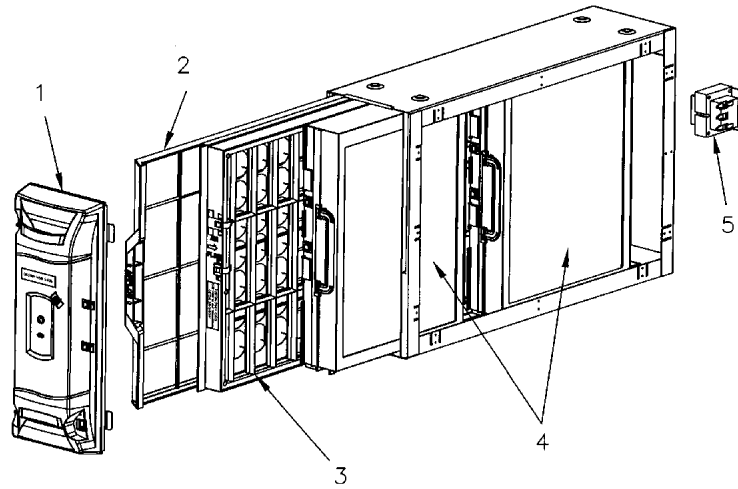
Whole House Air Cleaner

75008214

REV
A

Typical Illustration. Unit may not appear exactly as shown.

The Complete Accessory Must Be Ordered
Through Sales



* Not Illustrated.

| Part No. | Reference No. | Quantity | Description |
|----------|---------------|----------|---|
| CAB01157 | * | 1 | CABLE; POWER CONTROL, (2 X 3 PLUG WITH THERMOSTAT WIRE) |
| CNT06888 | * | 1 | CONTROL; PCB ASSEMBLY, ACCE MAIN BOARD, 3.50 X 3.12 |
| FUS01349 | * | 1 | FUSE; 3A FLAT BLADE, ATC-3 (5EA/CASE) |
| GKT04095 | * | 2 | GASKET; 25.830 X .375, BLACK URETHANE (LOCATED WHERE THE POWER PACK DOOR CONNECTS TO CABINET) |
| HDL01001 | * | 1 | HANDLE; 6.37 X 1.47 |
| INS02761 | * | 1 | INSULATOR; 18.00 X 5.00 |
| KIT12583 | * | 1 | KIT; DOOR BASE ASSEMBLY (CONSISTS OF OUTER HOUSING ASSY, TOP KNOB, BOTTOM KNOB, 2-WASHERS, WARNING LABEL, IFD LOGO LABEL, & TRANE/AMER STD LOGO LABELS) |
| KIT12586 | * | 1 | KIT; CONTACT DISC ASSEMBLY (CONSISTS OF 2-NEG CONTACT BODY, 1-HV CONTACT BODY, 3-CONTACT DISC'S, 3-SPRING'S, & 3-SLEEVE'S) |
| KIT12610 | * | 1 | KIT; LATCH ASSEMBLY (CONSISTS OF 2-LATCHES, 2-KNOBS, 2-SCREWS) |
| KIT13734 | * | 1 | KIT; GASKET, LITERATURE AND HARDWARE PACKET, TRANE (KIT CONTAINS: INSTALLATION GUIDE, DRILL POINT SCREWS, GASKET STRIPS, ELECTRICAL HARNESS, AND USE A |
| KIT16534 | 1 | 1 | KIT; COMPLETE COMMUNICATING POWER PACK DOOR ASSEMBLY |
| FLR06467 | 2 | 1 | FILTER; PRE-FILTER, 21.19 LONG X 19.94 WIDE |
| CHG00062 | 3 | 1 | CHARGER; FIELD CHARGER ASSEMBLY 21.3 X 20.3 |
| FLR06456 | 4 | 1 | FILTER; IFD-FILTER ASSEMBLY (PACKAGE OF 2 FILTERS) (COLLECTION CELL) |
| TRR01558 | 5 | 1 | TRANSFORMER; 75VA, 200/230V PRI, 24V SEC, QUICK CONNECTS |