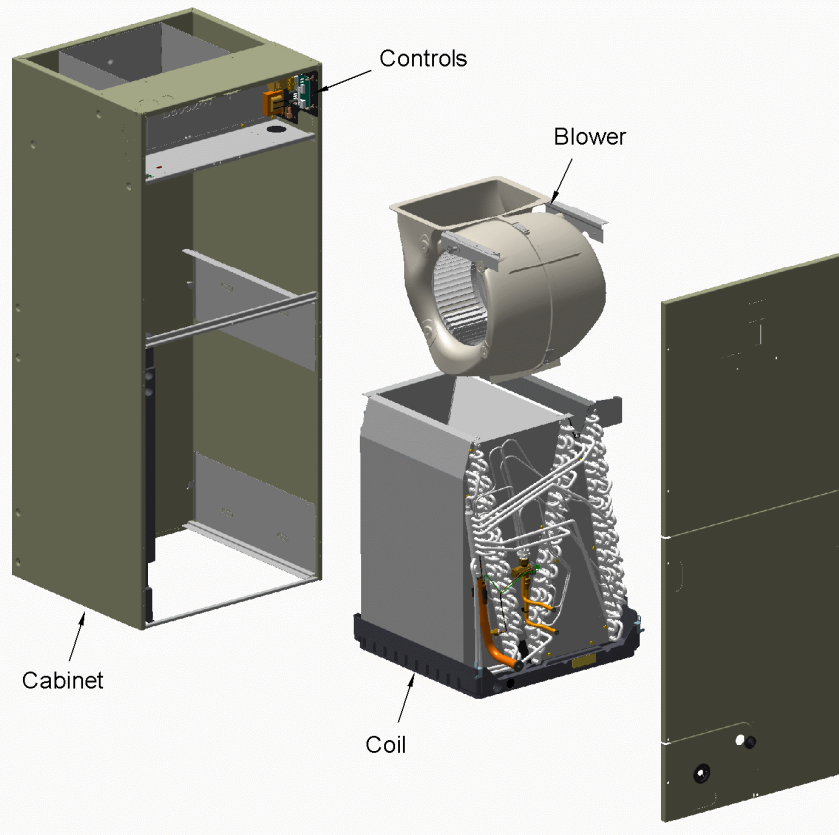


CONVERTIBLE AIR HANDLER

75011283

REV.  
A



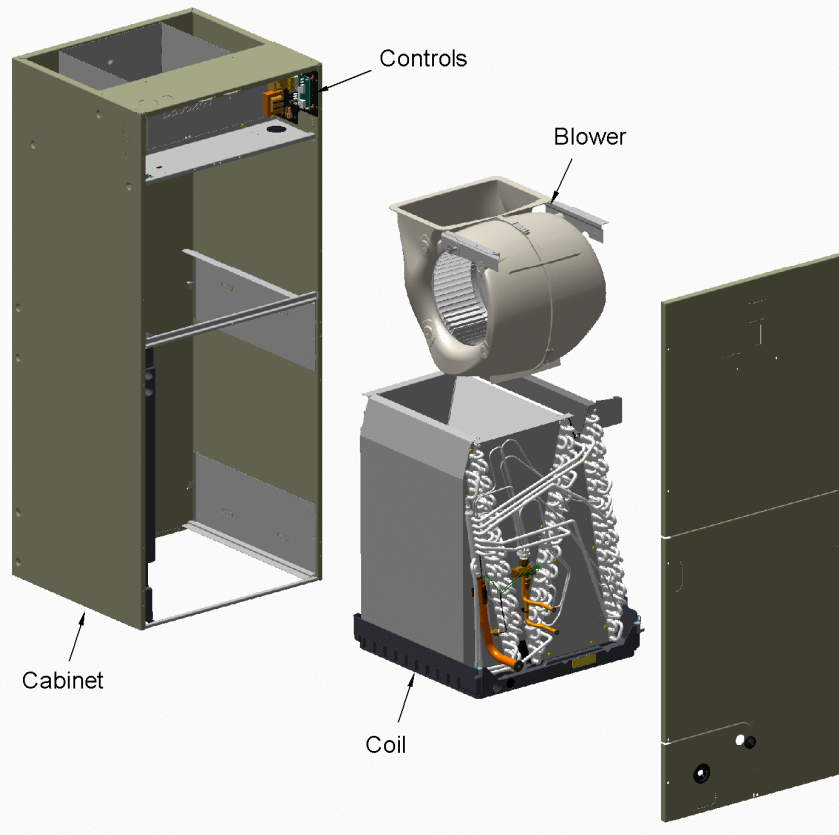
This is a typical illustration. The unit in the field may not appear exactly as shown.

<b>Part No.</b>	<b>Reference No.</b>	<b>Quantity</b>	<b>Description</b>
75012599#TEM6AUP2~S	*		BLOWER
75010772#TEM6AUP2~S	*		CABINET
75011284#TEM6AUP2~S	*		COIL
75012651#TEM6AUP2~S	*		CONTROLS
75011283_TEM6AUP2_311029~P	*		CONVERTIBLE AIR HANDLER PARTS LIST
75011282#TEM6AUP2~S	*		MODEL NUMBER DESCRIPTION
OPTIONS#TEM6AUP2~S	*		OPTIONAL EQUIPMENT

CONVERTIBLE AIR HANDLER

75011283

REV.  
A

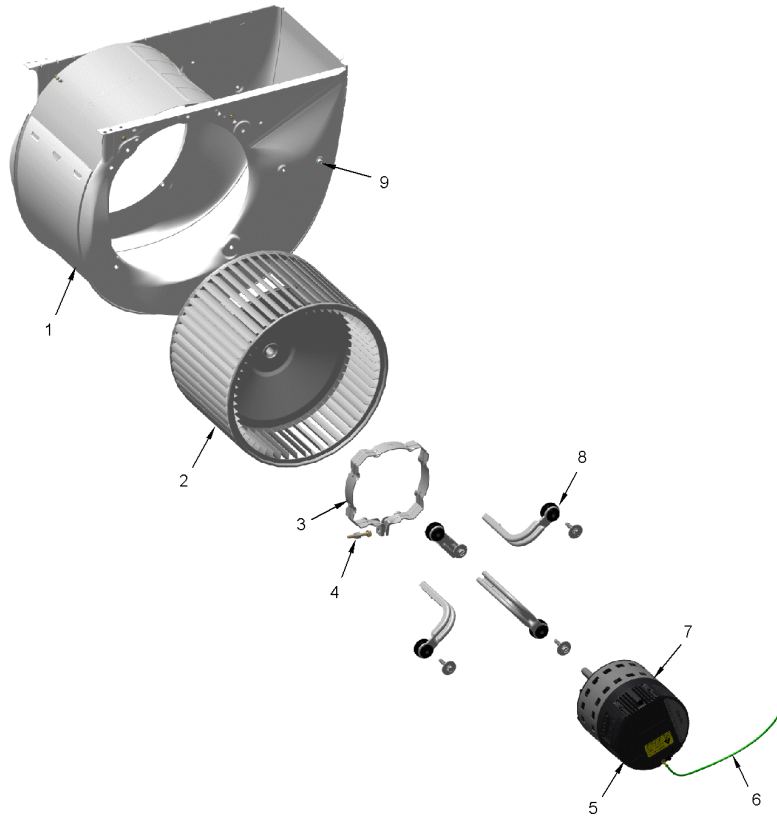


This is a typical illustration. The unit in the field may not appear exactly as shown.

BLOWER

75012599

RP  
A



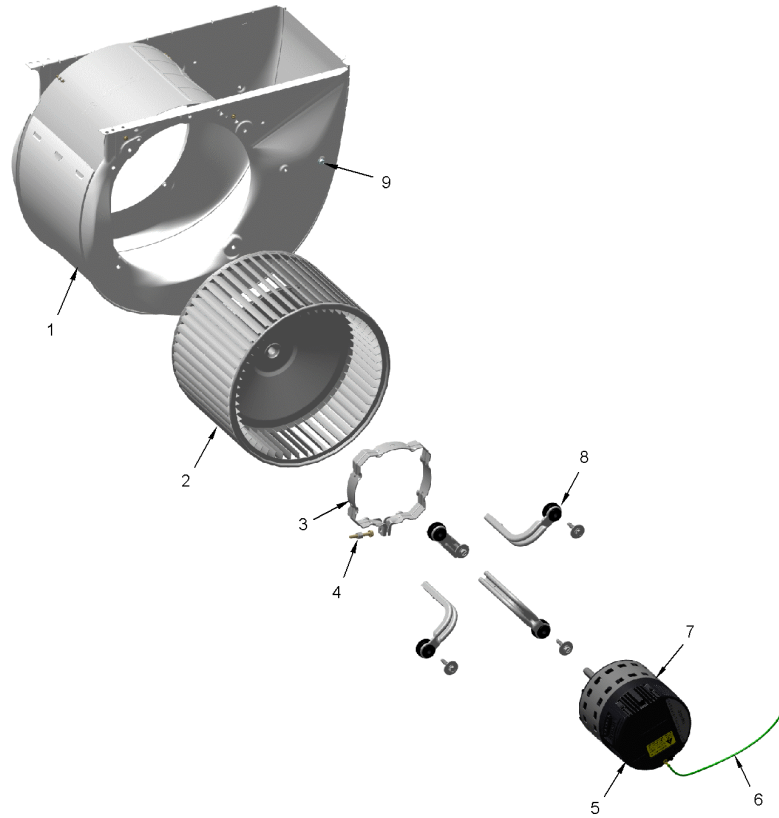
This is a typical illustration. The unit in the field may not appear exactly as shown.

Part No.	Reference No.	Quantity	Description
75012599_TEM6AUP2_311032-P	*		BLOWER PARTS LIST

BLOWER

75012599

RP  
A



This is a typical illustration. The unit in the field may not appear exactly as shown.

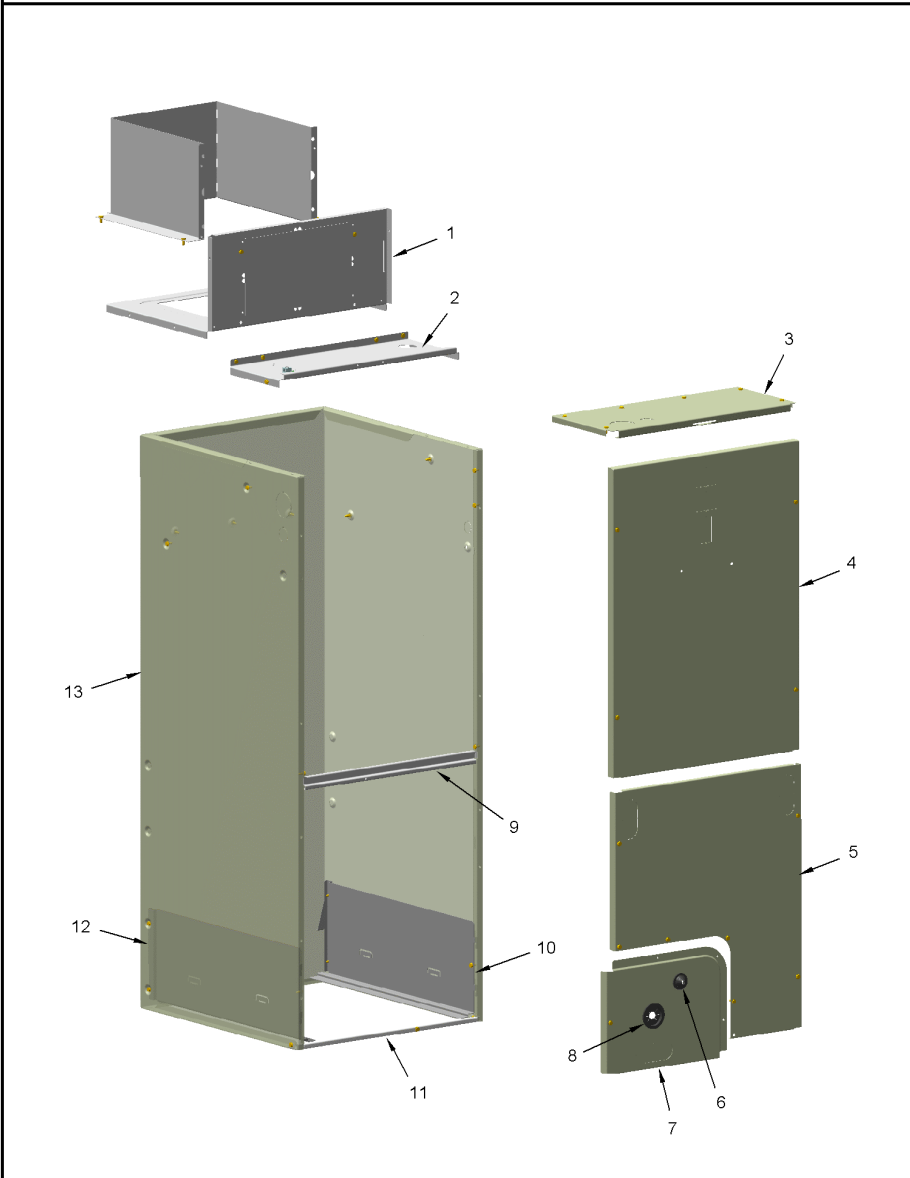
Part No.	Reference No.	Quantity	Description
HUS04352	1	1	HOUSING; BLOWER, METAL, 12.125 INTERIOR WIDTH
WHL03718	2	1	WHEEL; BLOWER, 11.95 IN DIA, 11.93 IN WIDTH, 0.50 IN BORE, 54 BLADES, CW
BND00932	3	1	BAND; MOTOR MOUNT, 17.62 LENGTH
NUT01063	4a	1	NUT; LOCKING NYLON
SCR01584	4b	1	BOLT; 1/4-20 MA HX 1.5 S
MOD02935	5	1	MODULE; EON, ELECTRONIC MOTOR CONTROL, VARIABLE SPEED PROGRAMMED. MODULE ONLY FOR MOT18591.
WIR07840	6	1	WIRE; GROUND, 16 AWG, UL 1015, GREEN, 15 IN LENGTH, RING TERMINALS
MOT18590	7	1	MOTOR; ECM VS MOTOR MODULE SET; 3/4 HP; 115/230 VOLTAGE; PROGRAMMED
MOT19283	8	4	MOUNT; MOTOR MOUNT BRACKET, LEG & SCREW ASM
SCR02081	9	1	SCREW; 10-24 C HXW 1/2 SN

CABINET

75010772

REV.  
A

TYPICAL ILLUSTRATION



Parts List Number :75011283#TEM6AUP2

Model Number :TEM6A0C60H51SBA

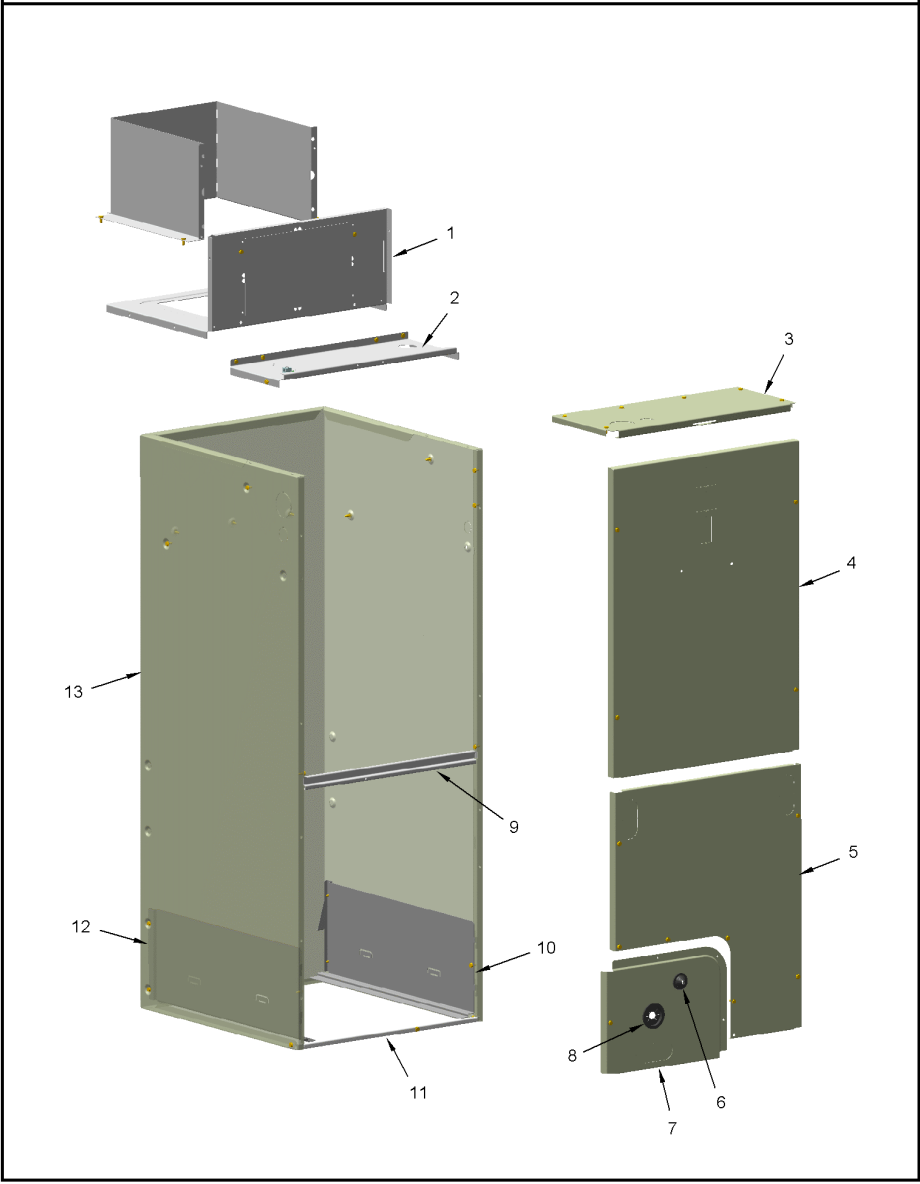
Part No.	Reference No.	Quantity	Description
75010772_TEM6AUP2_311030-P	*		CABINET PARTS LIST

CABINET

75010772

REV.  
A

TYPICAL ILLUSTRATION

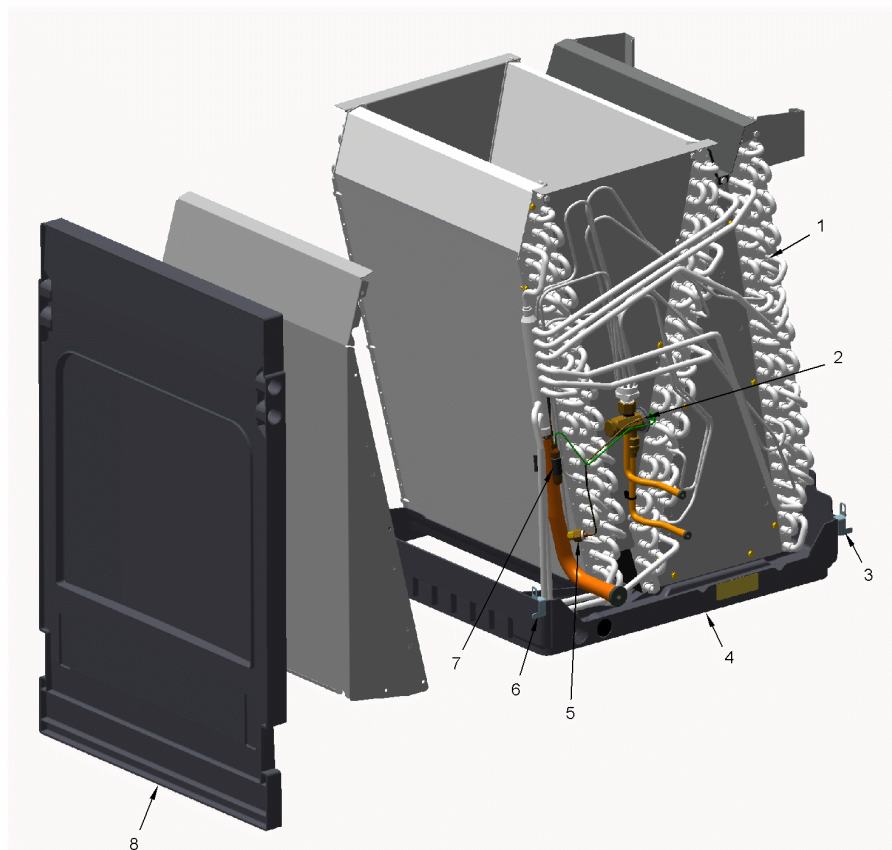


Part No.	Reference No.	Quantity	Description
PAI00074	*	1	PAINT; SPRAY, SLATE GREY, FULL GLOSS(88) (SHIPPING UOM 12 OZ HAZ)
PLT03593	*	1	PLATE; APPEARANCE NAMEPLATE, AMERICAN STANDARD, 6.50 X 1.11
PLT03689	*	1	PLATE; NAMEPLATE TRANE, 6.00 X 1.46 (MOLDED OVAL PLATE)
SCR01081	*	1	SCREW; 10-16 AB 3/4 S N
SUP05922	1	1	SUPPORT; SHELF-BLOWER, 13.20 L X 25.95 W X 7.94 H
PNL29551	3	1	PANEL; TOP COVER, 23.63 X 7.85
PNL29549	4	1	PANEL; BLOWER, 25.29 X 23.63
PNL33613	5	1	PANEL; COIL, 23.63 X 30.72
GRM00864	6	1	GROMMET; CONE GROMMET, LIQUID LINE
PNL33614	7	1	PANEL; LINESET, 12.14 X 9.24
GRM00863	8	1	GROMMET; SUCTION GROMMET
SUP05666	9	1	SUPPORT; CROSSMEMBER, MIDDLE, 22.39 L
SUP05662	10	1	SUPPORT; COIL SHIELD, RIGHT, 20.04 X 7.72
SUP05664	11	1	SUPPORT; CROSSMEMBER, BOTTOM, 23.37 L
SUP05661	12	1	SUPPORT; COIL SHIELD, LEFT, 20.04 X 7.72
PNL33612	13	1	PANEL; WRAPPER, 21.00 X 26.50 X 46.77

COIL

75011284

REV.  
A



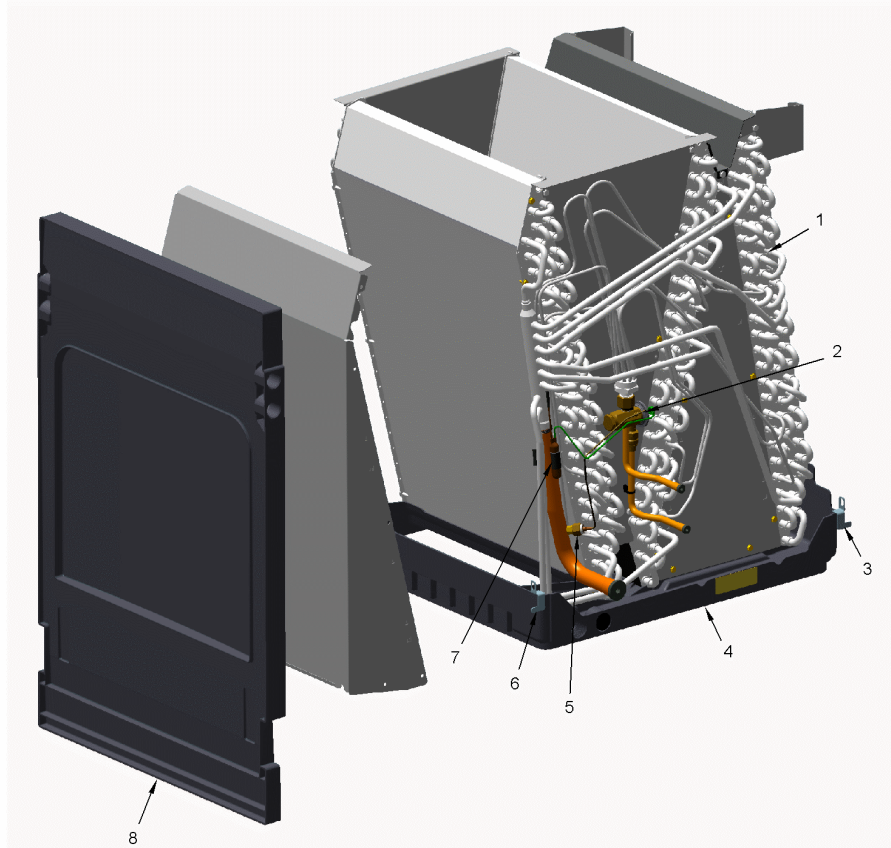
This is a typical illustration. The unit in the field may not appear exactly as shown.

Part No.	Reference No.	Quantity	Description
75011284_TEM6AUP2_311031~P	*		COIL PARTS LIST

COIL

75011284

REV.  
A



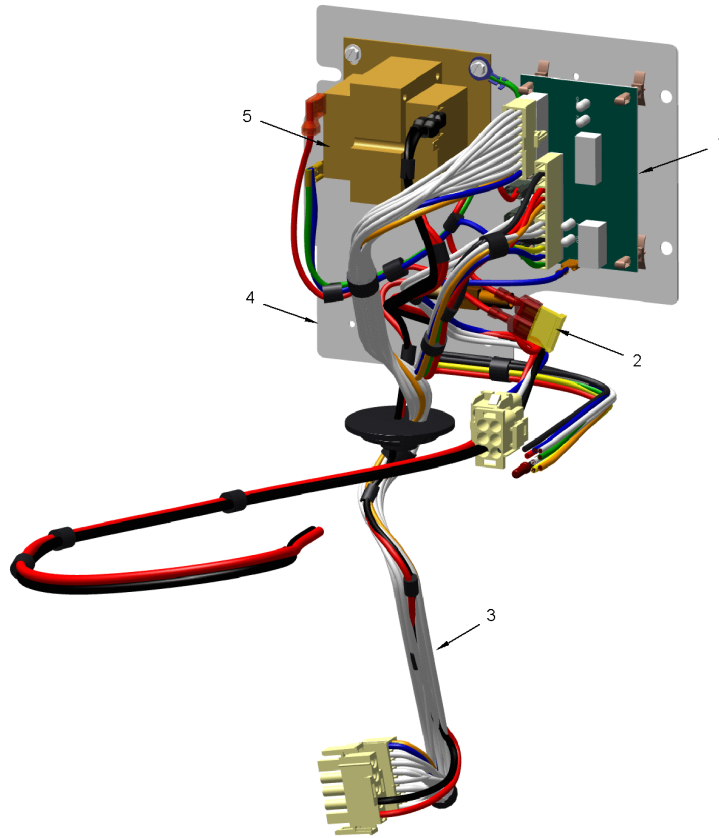
This is a typical illustration. The unit in the field may not appear exactly as shown.

Part No.	Reference No.	Quantity	Description
COL31310	1a	1	COIL; ASSEMBLY, INCLUDES DRAIN PAN & TXV
COL31104	1b	1	COIL, BLK EPOXY; ASSEMBLY, INCLUDES DRAIN PAN & TXV
VAL20636	2	1	VALVE; EXPANSION
NUT01223	2b	1	NUT; HEX NUT, 7/8, 3/4-20-2B UNEF THREAD
BRK04501	3	1	BRACKET; COIL, 1.73 X 1.00 X 0.46, RIGHT SIDE
PAN03961	4a	1	PAN; DRAIN, 20.36 X 21.57
PLU01169	4b	1	PLUG; THREADED 3/4
BOD00114	5	1	BODY; VALVE, BRASS, 7/16 HEX, 7/16 -20 UNF-2A
BRK04500	6	1	BRACKET; COIL, 1.73 X 1.00 X 0.46, LEFT SIDE
CLP00182	7	1	CLIP, EXPANSION VALVE
PAN03869	8a	1	PAN; DRAIN, HORIZONTAL, 30.54 X 20.38
PLU01169	8b	1	PLUG; THREADED 3/4

CONTROLS

75012651

RP  
A



This is a typical illustration. The unit in the field may not appear exactly as shown.

Parts List Number :75011283#TEM6AUP2

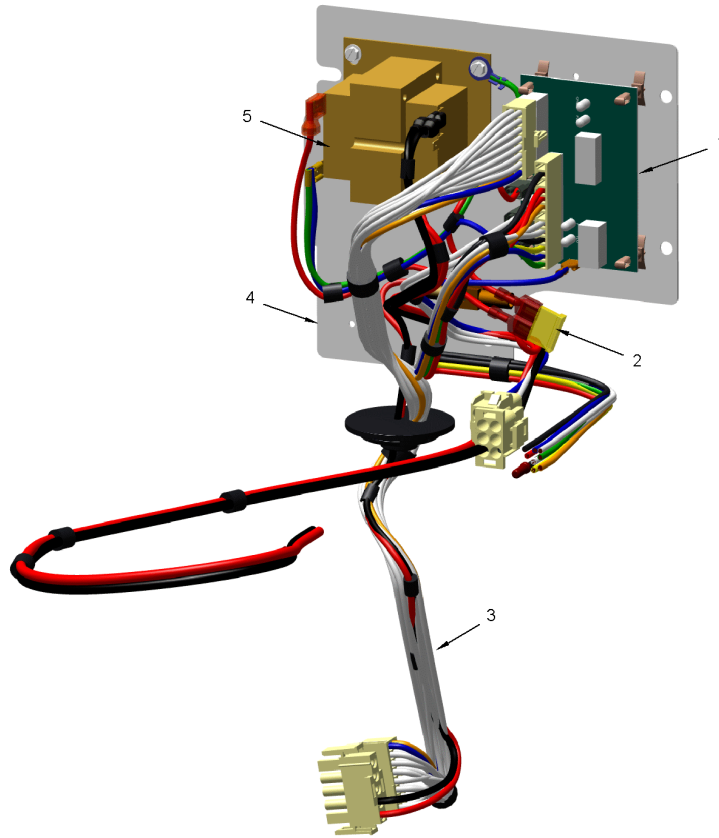
Model Number :TEM6A0C60H51SBA

Part No.	Reference No.	Quantity	Description
75012651_TEM6AUP2_180901~P	*		CONTROLS PARTS LIST

CONTROLS

75012651

RP  
A



This is a typical illustration. The unit in the field may not appear exactly as shown.

## CONTROLS PARTS LIST

Parts List Number :75011283#TEM6AUP2

Model Number :TEM6A0C60H51SBA

<b>Part No.</b>	<b>Reference No.</b>	<b>Quantity</b>	<b>Description</b>
CNT03600	1	1	CONTROL; ICM FAN, PWB, 16 PIN
FUS01089	2	1	FUSE; 5 AMP, TAN, AUTOMOTIVE STYLE
WIR07781	3	1	WIRE; HARNESS ASM VS
PLT05625	4	1	PLATE; CONTROL, 7.38 X 6.69
TRR01557	5	1	TRANSFORMER; 40VA, 200/230V PRI, 24V SEC

OPTIONAL EQUIPMENT

Parts List Number :75011283#TEM6AUP2

Model Number :TEM6A0C60H51SBA

Part No.	Reference No.	Quantity	Description
OPTIONS_TEM6AUP2_311033-P	*		OPTIONAL EQUIPMENT PARTS LIST

Part No.	Reference No.	Quantity	Description
BAYATXV6161B	*	1	KIT; FIELD MOUNTED TXV
BAYHTR1504LUGB	*	1	4KW HEATER LUGS
BAYHTR1505LUGB	*	1	5KW HEATER LUGS
BAYHTR1508LUGB	*	1	8KW HEATER LUGS
BAYHTR1510LUGB	*	1	10KW HEATER LUGS
BAYHTR1517BRKA	*	1	HEATER 15KW-1PH
BAYHTR1523BRKA	*	1	HEATER 20KW-1PH
BAYHTR1525BRKA	*	1	HEATER; 25KW HEATER W/BREAKER
BAYHTR3517LUGA	*	1	HEATER 15KW-3PH
BAYSF1235AAA	*	1	FRAME; FILTER, 1 INCH FILTER & FRAME, 23.5 INCHES
BAYSPEKT201A	*	1	KIT; SINGLE POINT POWER ENTRY (BAYSPEKT201A)
FLRSF1235	*	1	FILTER; 1 INCH MERV 4 FILTER, 22.75X19.75X.75 (1 EACH = 12 FILTERS)
KIT18054	*	1	KIT; EMI/EFI AIR HANDLER ELECTRIC NOISE KIT FOR VARIABLE SPEED BLOWER MOTOR (BAYAHEMIKIT001A)
TAYBASE235	*	1	DOWNFLOW SUB-BASE KIT

MODEL NUMBER DESCRIPTION	75011282	REV. A
AIR HANDLER		
<i>Example Model Number:</i> <b>TEM4A0B36S31SAA</b> <small>1 - - - 5 - - - 10 - - - 15</small>		
<b>Digit 1 – Brand</b> T = Trane		
<b>Digit 2 – Product Type</b> E = Air Handler		
<b>Digit 3 – Convertibility</b> M = Multi-poise 4-way		
<b>Digit 4 – Product Tier</b> 3 = Entry Level Multi-Speed 4 = Entry Level Multi-Speed 6 = Entry Level Variable-Speed 8 = Entry Level COMM/24V Variable Speed		
<b>Digit 5 – Major Design Change</b>		
<b>Digit 6 – No Descriptor</b> 0 = Air Handler / Coil		
<b>Digit 7 – Size (Footprint) (W X D)</b> B = 21.0 x 21.1 C = 23.5 x 21.1 D = 26.5 x 21.1		
<b>Digits 8, 9 – Cooling Size: Air Handler or Coil</b> 0-9 = AH Coil - 1000 BTU's (18, 24, 30, 36, 42, 48, 60)		
<b>Digits 10, 11 – Airflow Type &amp; Capacity</b> S = Standard Efficiency, 1-5 nominal Tonnage (cfm/ton) H = High Efficiency Variable Speed, 1-5 Nominal Tonnage (cfm/ton) V = High Efficiency Variable Speed, 1-5 Nominal Tonnage (cfm/ton)		
<b>Digit 12 – Power Supply</b> 1 = 208-230/1/60		
<b>Digit 13 – System Control Type</b> S = Standard - 24 VAC D = Dual (24 VAC / CLII 13.8 VDC)		
<b>Digit 14 – Minor Design Change</b>		
<b>Digit 15 – Unit Parts Identifier</b>		

Part No.	Reference No.	Quantity	Description
75011282_TEM6AUP2_180899-P	*		MODEL NUMBER DESCRIPTION PARTS LIST

MODEL NUMBER DESCRIPTION

75011282

REV  
B

AIR HANDLER

*Example Model Number:*

**TEM4A0B36S31SAA**  
1 - - - 5 - - - 10 - - - 15

**Digit 1 – Brand**

T = Trane

**Digit 2 – Product Type**

E = Air Handler

**Digit 3 – Convertibility**

M = Multi-poise 4-way

**Digit 4 – Product Tier**

3 = Entry Level Multi-Speed

4 = Entry Level Multi-Speed

6 = Entry Level Variable-Speed

8 = Entry Level COMM/24V Variable Speed

**Digit 5 – Major Design Change**

**Digit 6 – No Descriptor**

0 = Air Handler / Coil

**Digit 7 – Size (Footprint) (W X D)**

B = 21.0 x 21.1

C = 23.5 x 21.1

D = 26.5 x 21.1

**Digits 8, 9 – Cooling Size: Air Handler or Coil**

0-9 = AH Coil - 1000 BTU's (18, 24, 30, 36, 42, 48, 60)

**Digits 10, 11 – Airflow Type & Capacity**

S = Standard Efficiency, 1-5 nominal Tonnage (cfm/ton)

H = High Efficiency Variable Speed, 1-5 Nominal Tonnage (cfm/ton)

M = Mid Efficiency Variable Speed, 1-5 Nominal Tonnage (cfm/ton)

V = High Efficiency Variable Speed, 1-5 Nominal Tonnage (cfm/ton)

**Digit 12 – Power Supply**

1 = 208-230/1/60

**Digit 13 – System Control Type**

S = Standard - 24 VAC

D = Dual (24 VAC / CLII 13.8 VDC)

**Digit 14 – Minor Design Change**

**Digit 15 – Unit Parts Identifier**

