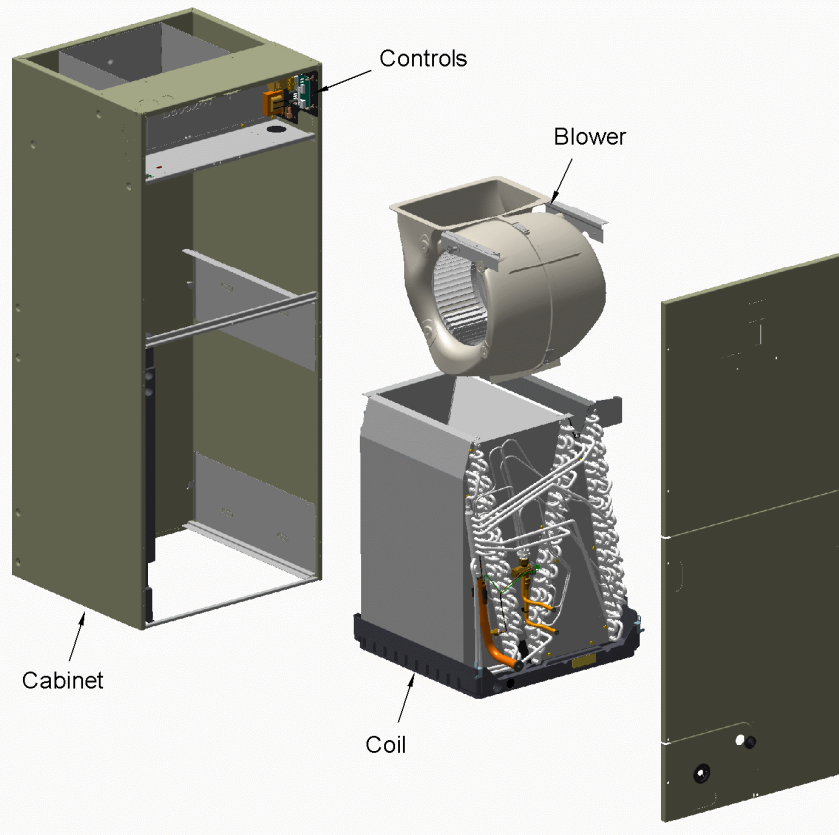


CONVERTIBLE AIR HANDLER

75011283

REV.
A



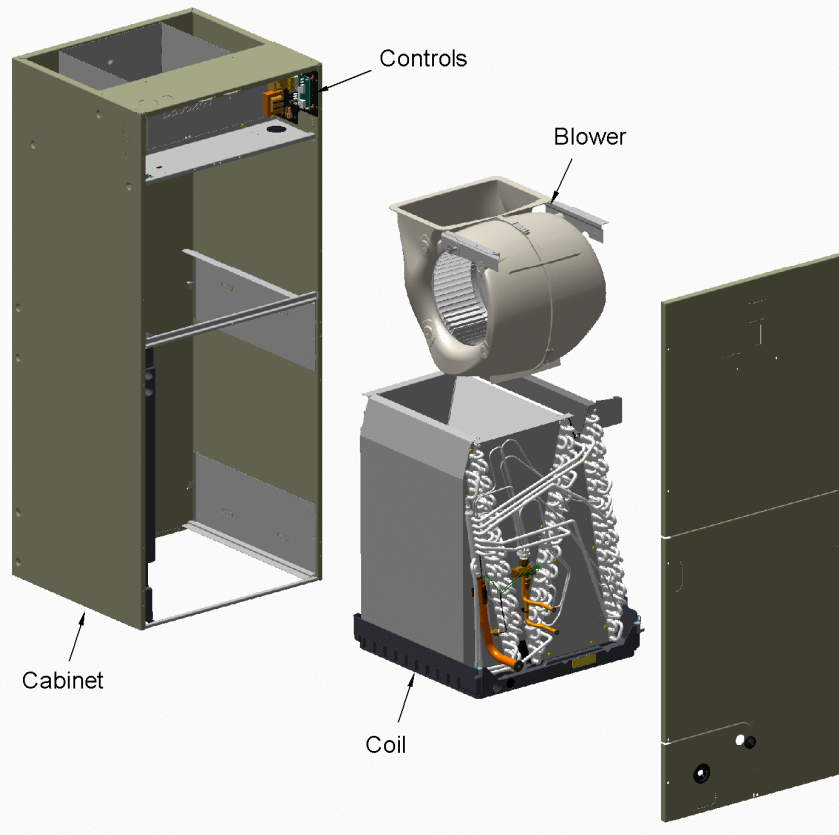
This is a typical illustration. The unit in the field may not appear exactly as shown.

Part No.	Reference No.	Quantity	Description
75010770#TEM6AUP1~S	*		BLOWER
75010772#TEM6AUP1~S	*		CABINET
75011284#TEM6AUP1~S	*		COIL
75010764#TEM6AUP1~S	*		CONTROL PANEL
75011283_TEM6AUP1_209366~P	*		CONVERTIBLE AIR HANDLER PARTS LIST
75011282#TEM6AUP1~S	*		MODEL NUMBER DESCRIPTION

CONVERTIBLE AIR HANDLER

75011283

REV.
A



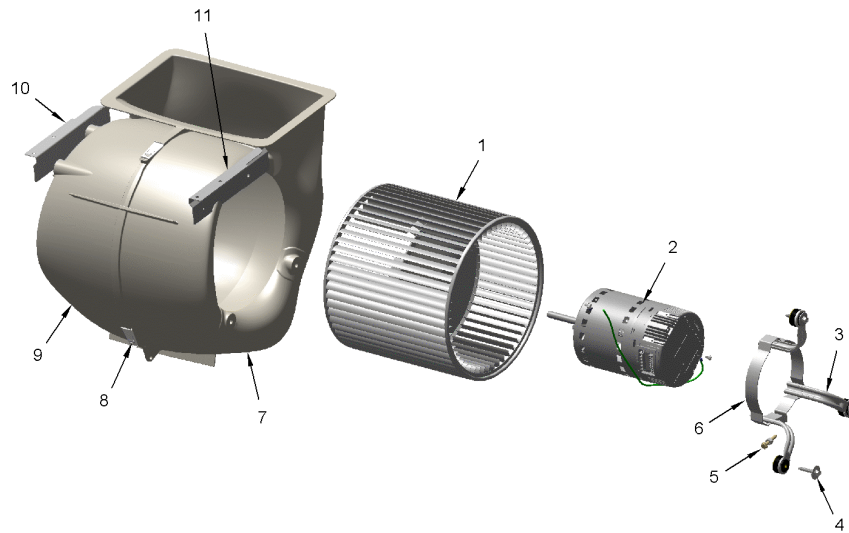
This is a typical illustration. The unit in the field may not appear exactly as shown.

BLOWER

75010770

REV.
A

TYPICAL ILLUSTRATION



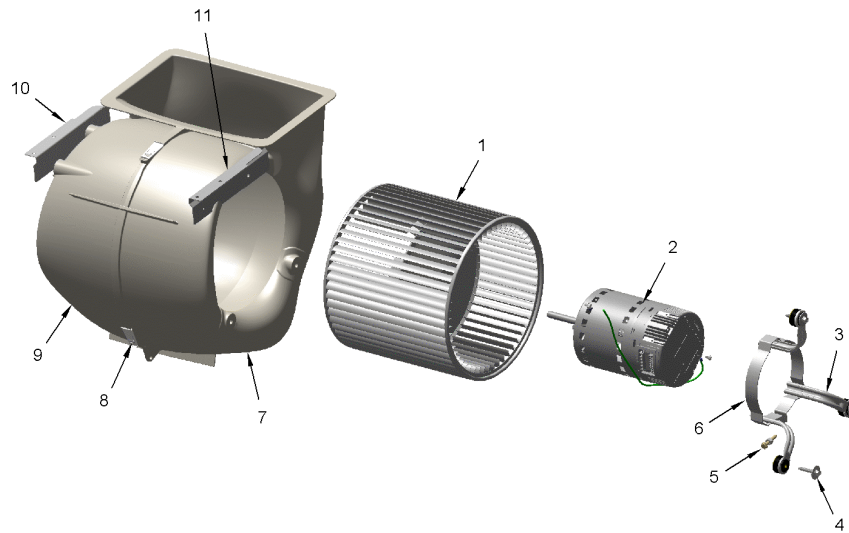
Part No.	Reference No.	Quantity	Description
75010770_TEM6AUP1_209367-P	*		BLOWER PARTS LIST

BLOWER

75010770

REV.
A

TYPICAL ILLUSTRATION



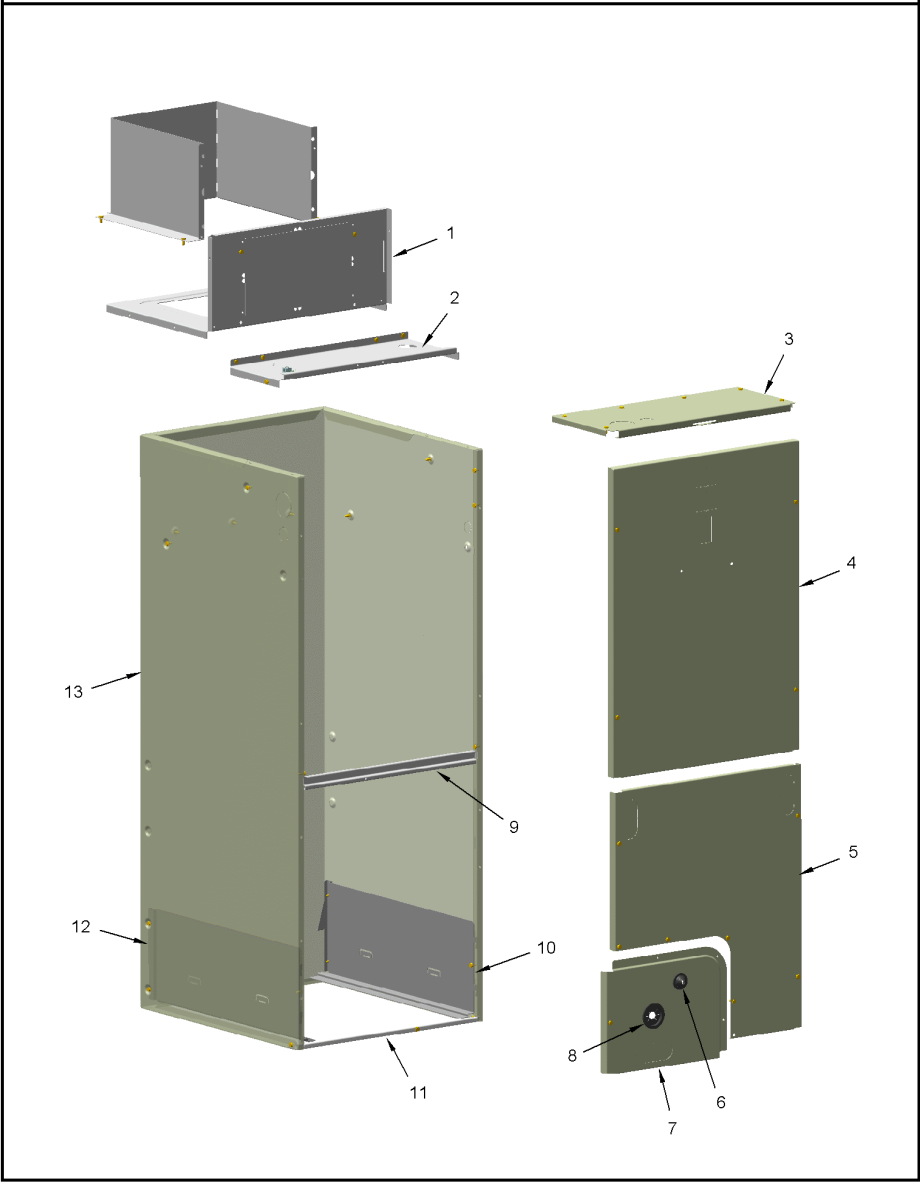
Part No.	Reference No.	Quantity	Description
SCR02081	*	1	SCREW; 10-24 C HXW 1/2 SN
WIR07840	*	1	WIRE; GROUND, 16 AWG, UL 1015, GREEN, 15 IN LENGTH, RING TERMINALS
WHL02915	1	1	WHEEL; BLOWER, 11.7 IN DIA X 10.6 IN WIDE, 0.50 IN BORE, CW ROTATION
MOD02741	2	1	MODULE; EON, ELECTRONIC MOTOR CONTROL, VARIABLE SPEED PROGRAMMED
MOT17345	2	1	MOTOR; ECM VS MOTOR MODULE SET; 3/4 HP; 115/230 VOLTAGE; PROGRAMMED
BRK04223	3	3	BRACKET; MOTOR ARM
SCR02112	4	4	SCREW; ASSEMBLY-MOTOR MOUNT
NUT01063	5	1	NUT; LOCKING NYLON
SCR01584	5	1	BOLT; 1/4-20 MA HX 1.5 S
BND00910	6	1	BAND; MOTOR MOUNT
BLW01333	7	1	BLOWER; MOLDED HALF, RIGHT
CLP01123	8	4	CLIP; CLEAT-BLOWER
BLW01332	9	1	BLOWER; MOLDED HALF, LEFT
BRK04545	10	1	BRACKET; BLOWER SUPPORT, 9.25 X 2.21 X 1.15
BRK04544	11	1	BRACKET; BLOWER SUPPORT, 9.25 X 2.21 X 1.15

CABINET

75010772

REV.
A

TYPICAL ILLUSTRATION



Parts List Number :75011283#TEM6AUP1

Model Number :TEM6A0C60H51SAA

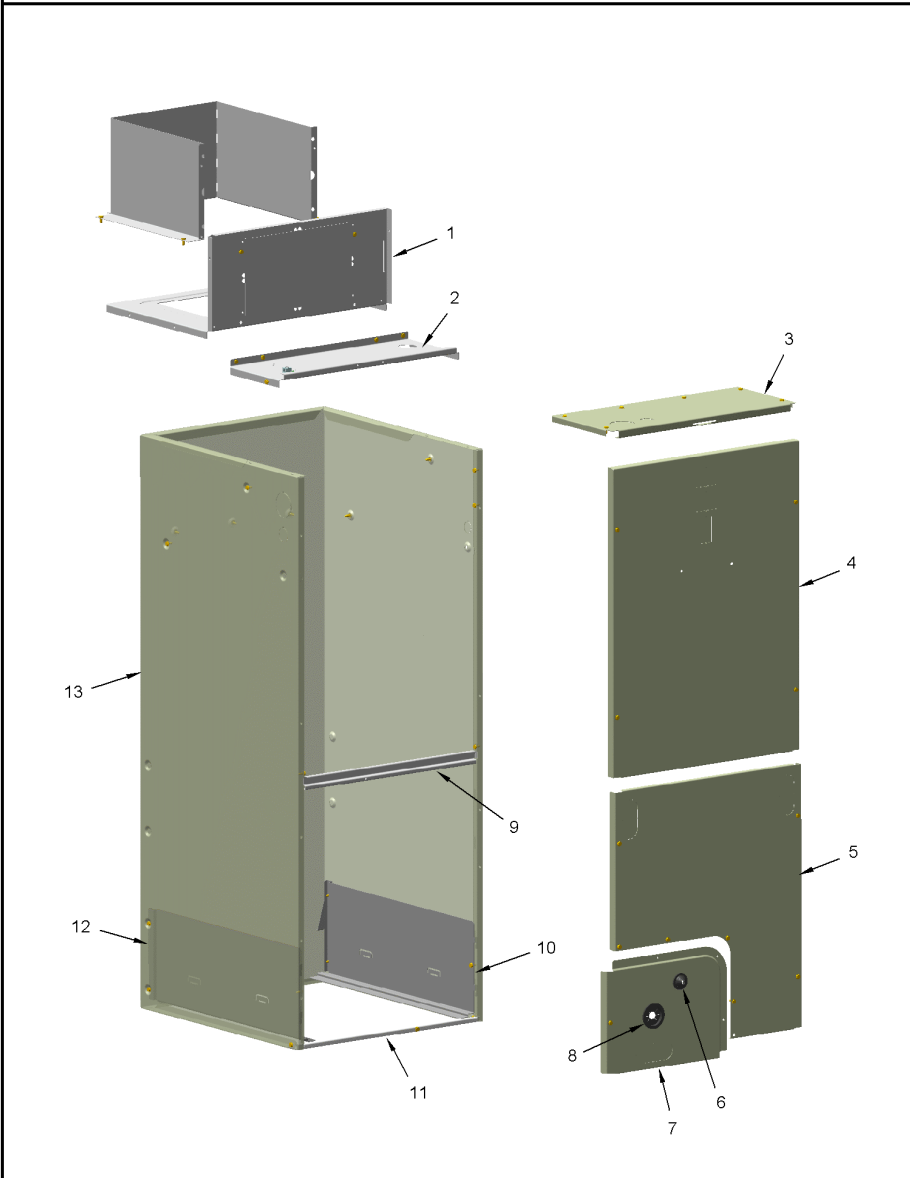
Part No.	Reference No.	Quantity	Description
75010772_TEM6AUP1_209368-P	*		CABINET PARTS LIST

CABINET

75010772

REV.
A

TYPICAL ILLUSTRATION

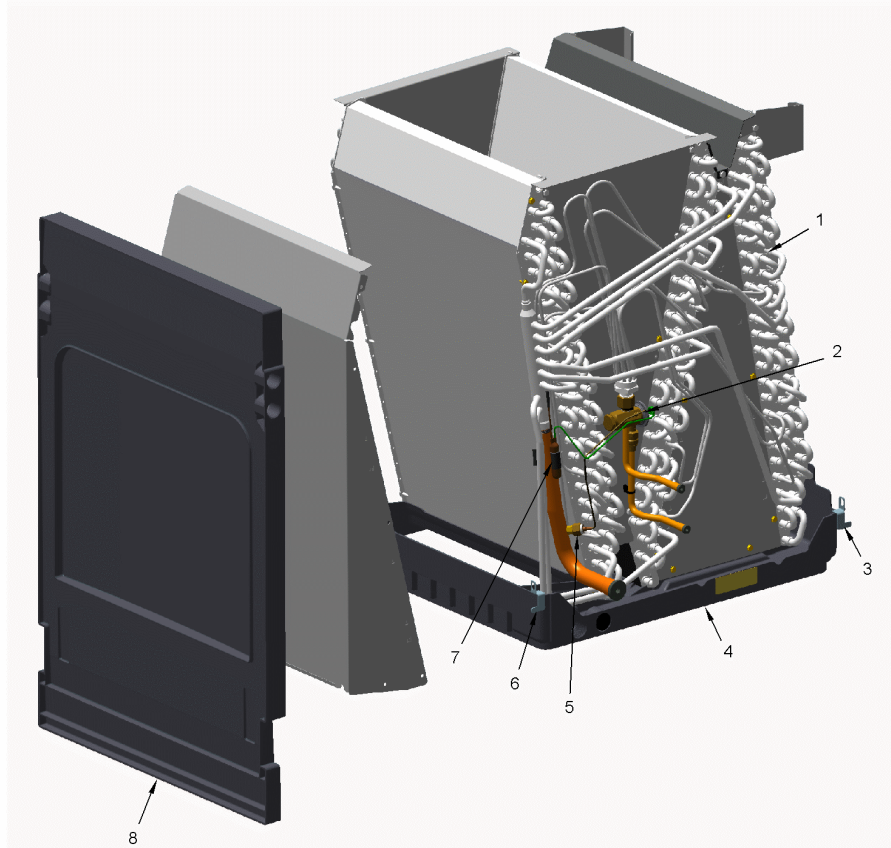


Part No.	Reference No.	Quantity	Description
PAI00074	*	1	PAINT; SPRAY, SLATE GREY, FULL GLOSS(88) (SHIPPING UOM 12 OZ HAZ)
PLT03593	*	1	PLATE; APPEARANCE NAMEPLATE, AMERICAN STANDARD, 6.50 X 1.11
PLT03689	*	1	PLATE; NAMEPLATE TRANE, 6.00 X 1.46 (MOLDED OVAL PLATE)
SCR01081	*	1	SCREW; 10-16 AB 3/4 S N
SUP05922	1	1	SUPPORT; SHELF-BLOWER, 13.20 L X 25.95 W X 7.94 H
PNL29551	3	1	PANEL; TOP COVER, 23.63 X 7.85
PNL29549	4	1	PANEL; BLOWER, 25.29 X 23.63
PNL33613	5	1	PANEL; COIL, 23.63 X 30.72
GRM00864	6	1	GROMMET; CONE GROMMET, LIQUID LINE
PNL33614	7	1	PANEL; LINESET, 12.14 X 9.24
GRM00863	8	1	GROMMET; SUCTION GROMMET
SUP05666	9	1	SUPPORT; CROSSMEMBER, MIDDLE, 22.39 L
SUP05662	10	1	SUPPORT; COIL SHIELD, RIGHT, 20.04 X 7.72
SUP05664	11	1	SUPPORT; CROSSMEMBER, BOTTOM, 23.37 L
SUP05661	12	1	SUPPORT; COIL SHIELD, LEFT, 20.04 X 7.72
PNL33612	13	1	PANEL; WRAPPER, 21.00 X 26.50 X 46.77

COIL

75011284

REV.
A



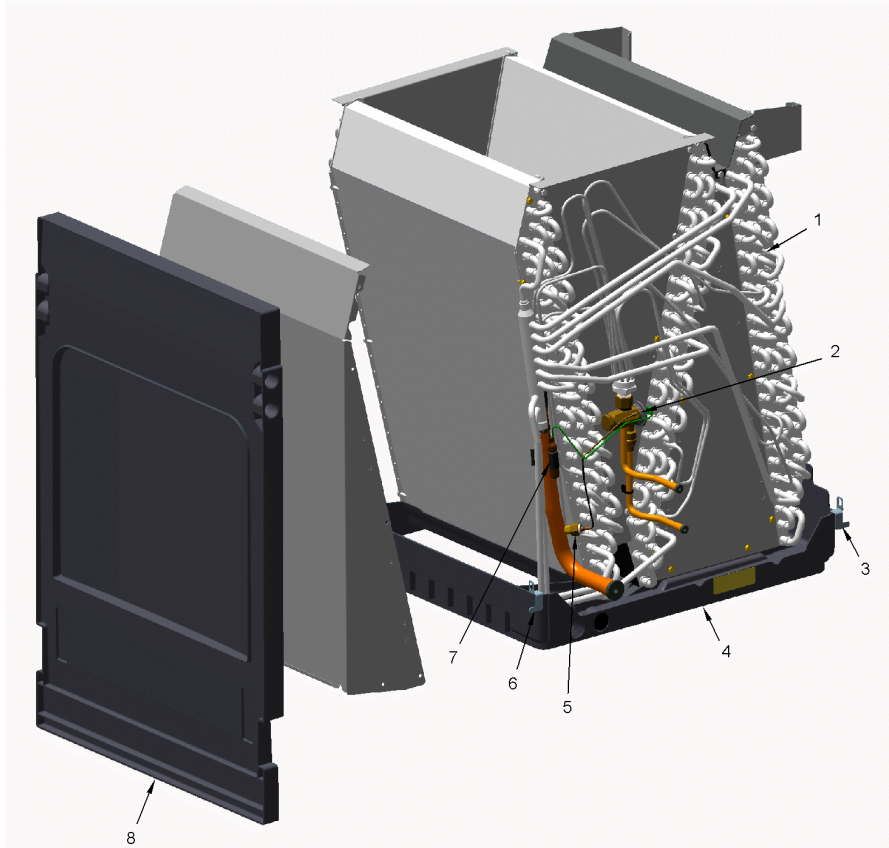
This is a typical illustration. The unit in the field may not appear exactly as shown.

Part No.	Reference No.	Quantity	Description
75011284_TEM6AUP1_209369-P	*		COIL PARTS LIST

COIL

75011284

REV.
A



This is a typical illustration. The unit in the field may not appear exactly as shown.

Parts List Number :75011283#TEM6AUP1

Model Number :TEM6A0C60H51SAA

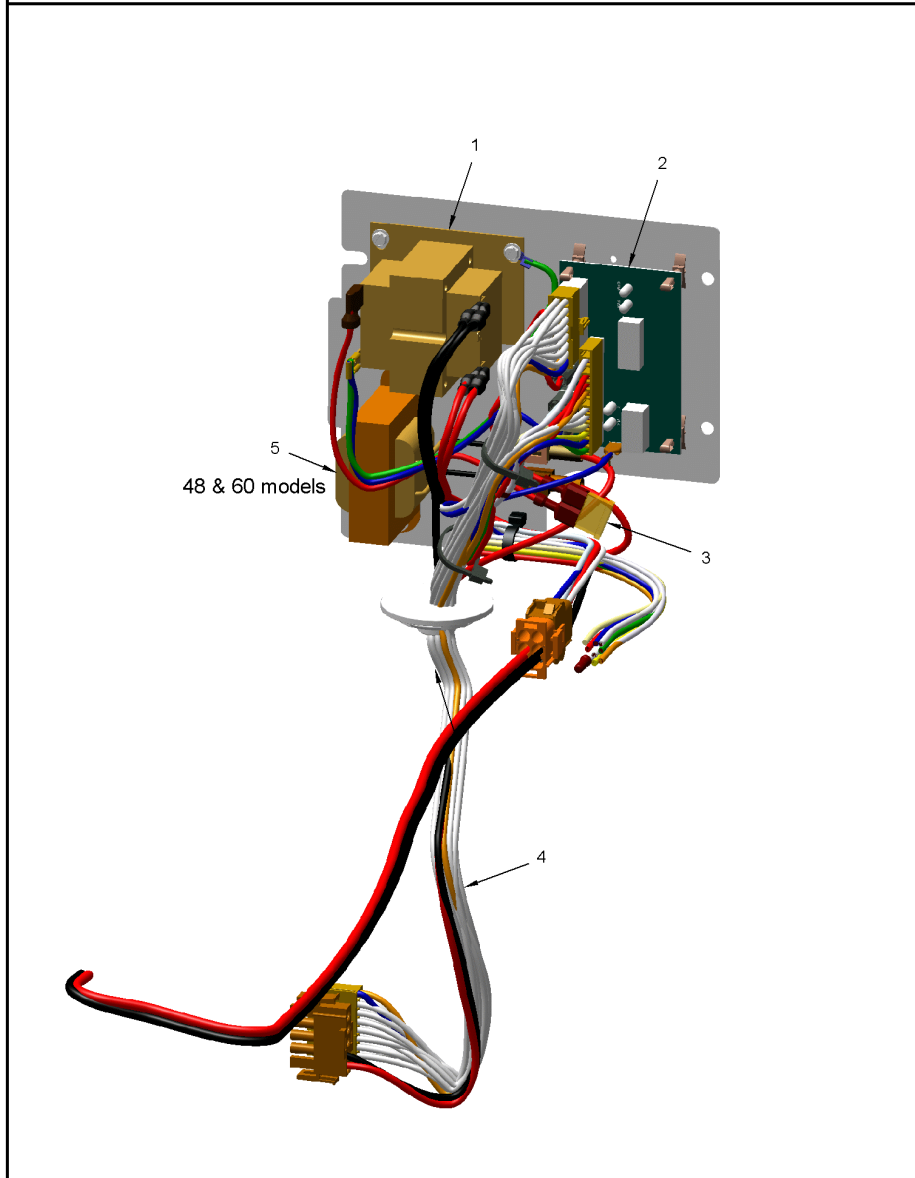
Part No.	Reference No.	Quantity	Description
VAL20694	*	1	VALVE; EXPANSION
COL26130	1	1	COIL; N COIL, 3 SLABS, ASSEMBLY, INCLUDES DRAINPAN BUT NOT TXV
NUT01223	2a	1	NUT; HEX NUT, 7/8, 3/4-20-2B UNEF THREAD
VAL12342	2b	1	VALVE; TXV CHATLEFF, 6 TON, 79/124 PSIG OUTLET, 15 PRECENT BLEED PORT
BRK04501	3	1	BRACKET; COIL, 1.73 X 1.00 X 0.46, RIGHT SIDE
PLU01169	4a	1	PLUG; THREADED 3/4
PAN03961	4b	1	PAN; DRAIN, 20.36 X 21.57
BOD00114	5	1	BODY; VALVE, BRASS, 7/16 HEX, 7/16 -20 UNF-2A
BRK04500	6	1	BRACKET; COIL, 1.73 X 1.00 X 0.46, LEFT SIDE
CLP00182	7	1	CLIP, EXPANSION VALVE
PLU01169	8a	1	PLUG; THREADED 3/4
PAN03869	8b	1	PAN; DRAIN, HORIZONTAL, 30.54 X 20.38

CONTROL PLATE ASSEMBLY

75010764

REV.
A

TYPICAL ILLUSTRATION



Parts List Number :75011283#TEM6AUP1

Model Number :TEM6A0C60H51SAA

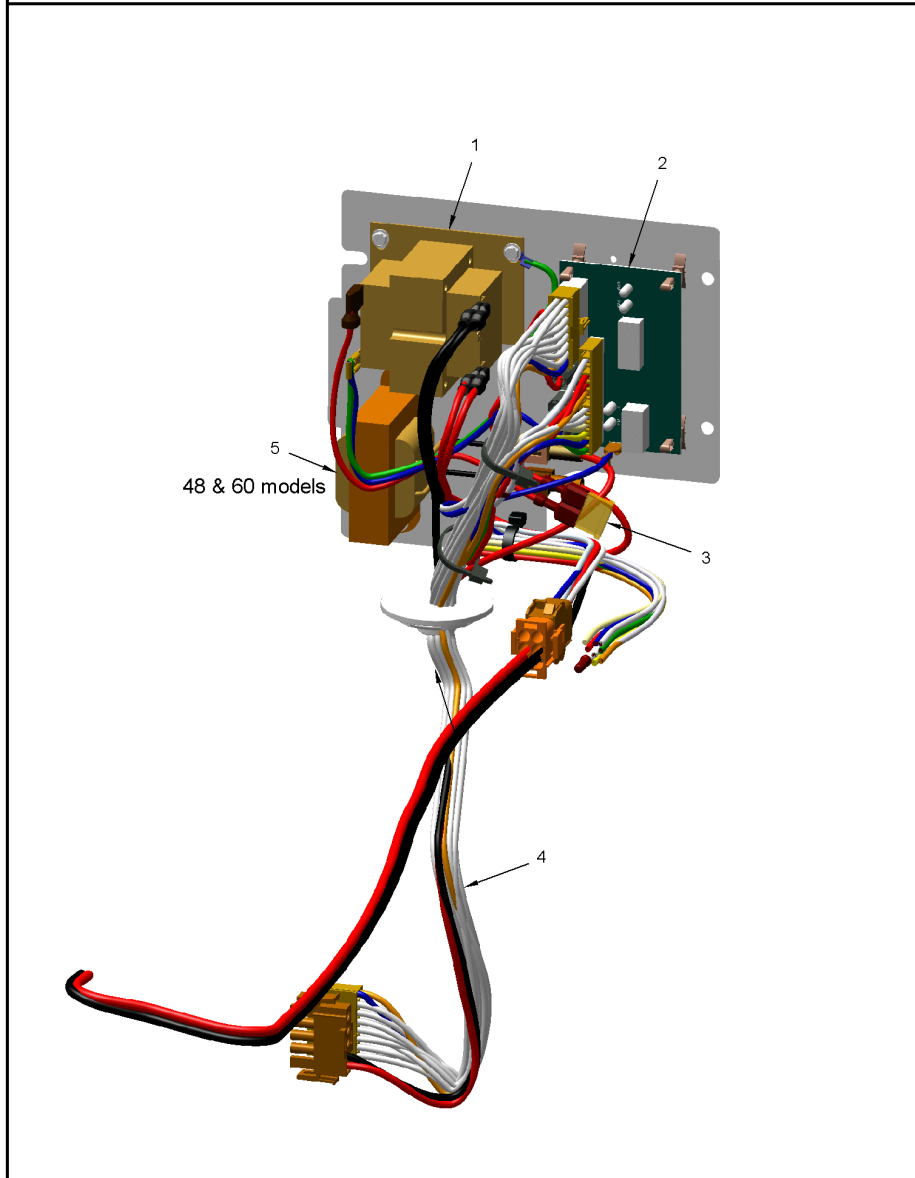
Part No.	Reference No.	Quantity	Description
75010764_TEM6AUP1_184974-P	*		CONTROL PANEL PARTS LIST

CONTROL PLATE ASSEMBLY

75010764

REV.
A

TYPICAL ILLUSTRATION



CONTROL PANEL PARTS LIST

Parts List Number :75011283#TEM6AUP1

Model Number :TEM6A0C60H51SAA

Part No.	Reference No.	Quantity	Description
PLT05625	*	1	PLATE; CONTROL, 7.38 X 6.69
TRR01557	1	1	TRANSFORMER; 40VA, 200/230V PRI, 24V SEC
CNT03600	2	1	CONTROL; ICM FAN, PWB, 16 PIN
FUS01089	3	1	FUSE; 5 AMP, TAN, AUTOMOTIVE STYLE
WIR07781	4	1	WIRE; HARNESS ASM VS
TRR02261	5	1	TRANSFORMER; CHOKE LINE OF 6 AMPS

MODEL NUMBER DESCRIPTION

75011282

REV.
A

AIR HANDLER

Example Model Number:

TEM4A0B36S31SAA
1 - - - 5 - - - 10 - - - 15

Digit 1 – Brand

T = Trane

Digit 2 – Product Type

E = Air Handler

Digit 3 – Convertibility

M = Multi-poise 4-way

Digit 4 – Product Tier

3 = Entry Level Multi-Speed
4 = Entry Level Multi-Speed
6 = Entry Level Variable-Speed
8 = Entry Level COMM/24V Variable Speed

Digit 5 – Major Design Change

Digit 6 – No Descriptor

0 = Air Handler / Coil

Digit 7 – Size (Footprint) (W X D)

B = 21.0 x 21.1
C = 23.5 x 21.1
D = 26.5 x 21.1

Digits 8, 9 – Cooling Size: Air Handler or Coil

0-9 = AH Coil - 1000 BTU's (18, 24, 30, 36, 42, 48, 60)

Digits 10, 11 – Airflow Type & Capacity

S = Standard Efficiency, 1-5 nominal Tonnage (cfm/ton)
H = High Efficiency Variable Speed, 1-5 Nominal Tonnage (cfm/ton)
V = High Efficiency Variable Speed, 1-5 Nominal Tonnage (cfm/ton)

Digit 12 – Power Supply

1 = 208-230/1/60

Digit 13 – System Control Type

S = Standard - 24 VAC
D = Dual (24 VAC / CLII 13.8 VDC)

Digit 14 – Minor Design Change

Digit 15 – Unit Parts Identifier

Part No.	Reference No.	Quantity	Description
75011282_TEM6AUP1_184978-P	*		MODEL NUMBER DESCRIPTION PARTS LIST

MODEL NUMBER DESCRIPTION

75011282

REV
B

AIR HANDLER

Example Model Number:

TEM4A0B36S31SAA
1 - - - 5 - - - 10 - - - 15

Digit 1 – Brand

T = Trane

Digit 2 – Product Type

E = Air Handler

Digit 3 – Convertibility

M = Multi-poise 4-way

Digit 4 – Product Tier

3 = Entry Level Multi-Speed

4 = Entry Level Multi-Speed

6 = Entry Level Variable-Speed

8 = Entry Level COMM/24V Variable Speed

Digit 5 – Major Design Change

Digit 6 – No Descriptor

0 = Air Handler / Coil

Digit 7 – Size (Footprint) (W X D)

B = 21.0 x 21.1

C = 23.5 x 21.1

D = 26.5 x 21.1

Digits 8, 9 – Cooling Size: Air Handler or Coil

0-9 = AH Coil - 1000 BTU's (18, 24, 30, 36, 42, 48, 60)

Digits 10, 11 – Airflow Type & Capacity

S = Standard Efficiency, 1-5 nominal Tonnage (cfm/ton)

H = High Efficiency Variable Speed, 1-5 Nominal Tonnage (cfm/ton)

M = Mid Efficiency Variable Speed, 1-5 Nominal Tonnage (cfm/ton)

V = High Efficiency Variable Speed, 1-5 Nominal Tonnage (cfm/ton)

Digit 12 – Power Supply

1 = 208-230/1/60

Digit 13 – System Control Type

S = Standard - 24 VAC

D = Dual (24 VAC / CLII 13.8 VDC)

Digit 14 – Minor Design Change

Digit 15 – Unit Parts Identifier

