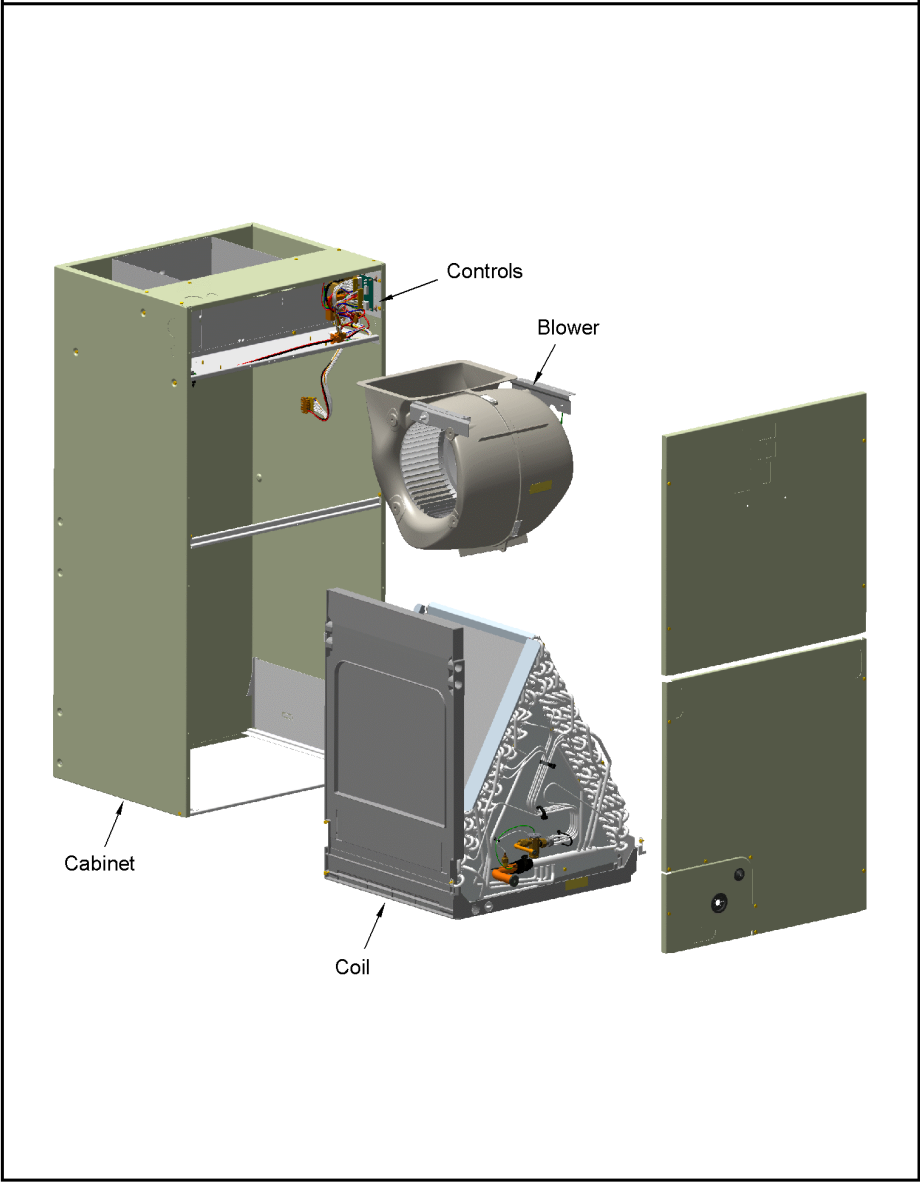


CONVERTIBLE AIR HANDLER

75010768

REV.  
A

TYPICAL ILLUSTRATION



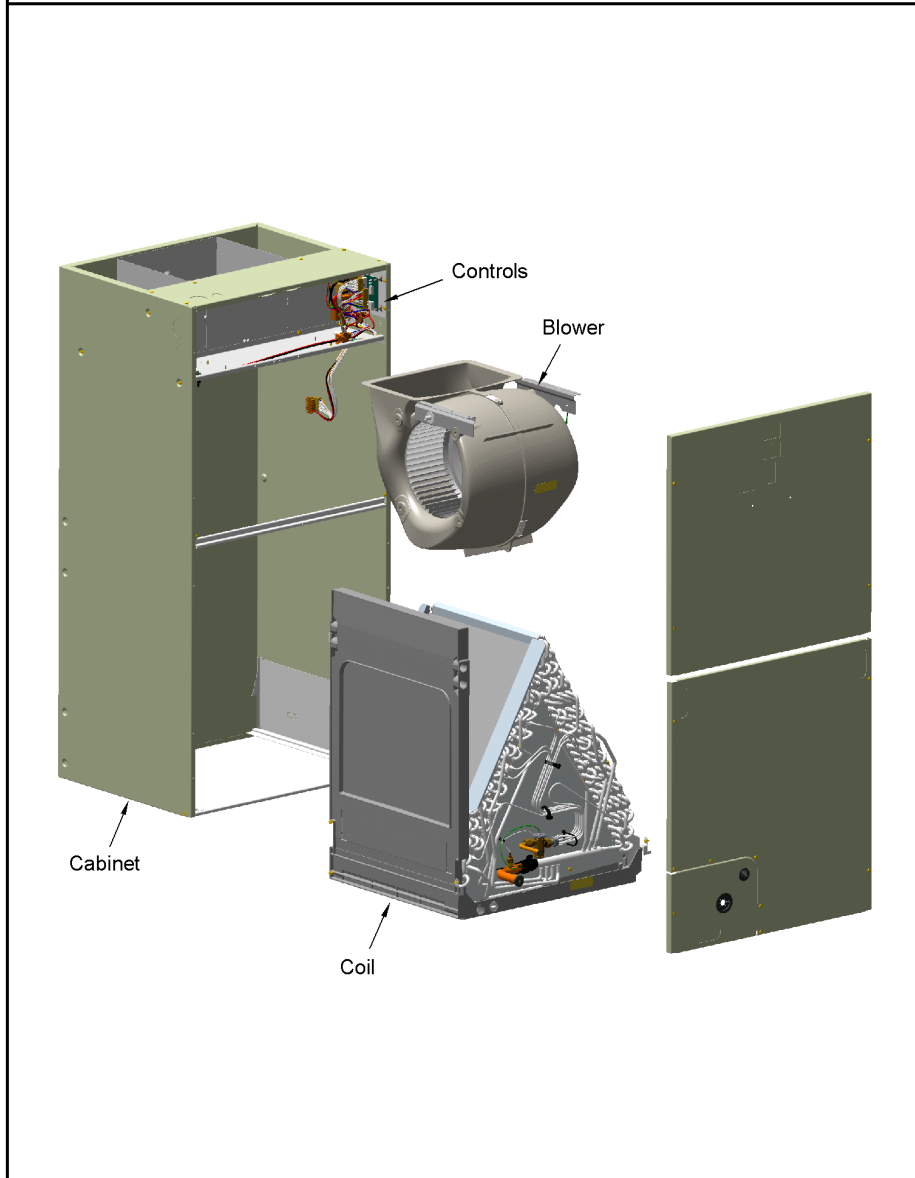
<b>Part No.</b>	<b>Reference No.</b>	<b>Quantity</b>	<b>Description</b>
75012599#TEM6AUP2~S	*		BLOWER
75010772#TEM6AUP2~S	*		CABINET
75010771#TEM6AUP2~S	*		COIL
75012651#TEM6AUP2~S	*		CONTROLS
75010768_TEM6AUP2_180896~P	*		CONVERTIBLE AIR HANDLER PARTS LIST
75011282#TEM6AUP2~S	*		MODEL NUMBER DESCRIPTION
OPTIONS#TEM6AUP2~S	*		OPTIONAL EQUIPMENT

CONVERTIBLE AIR HANDLER

75010768

REV.  
A

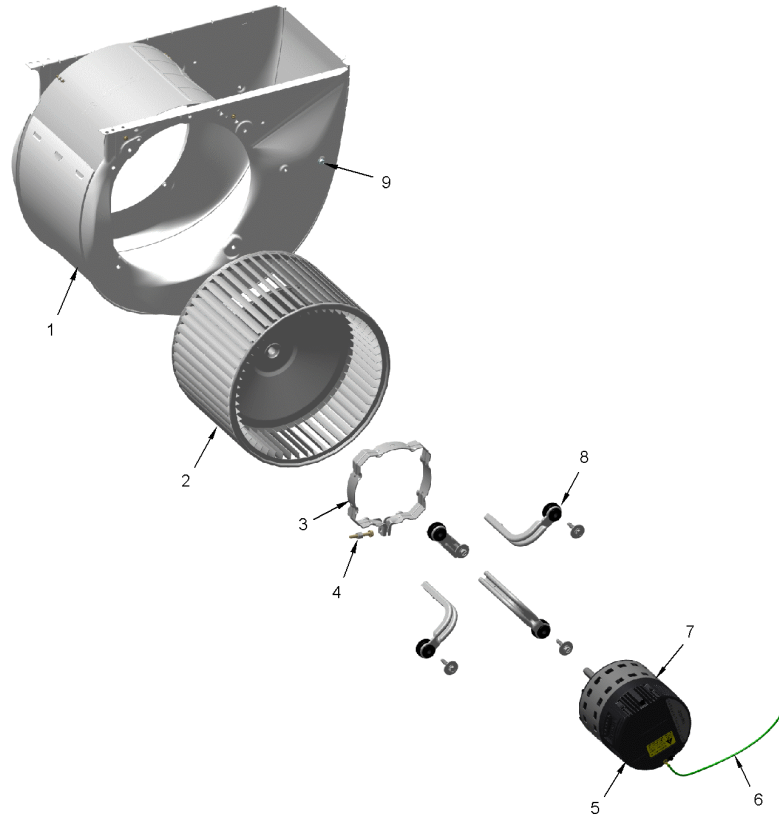
TYPICAL ILLUSTRATION



BLOWER

75012599

RP  
A



This is a typical illustration. The unit in the field may not appear exactly as shown.

Parts List Number :75010768#TEM6AUP2

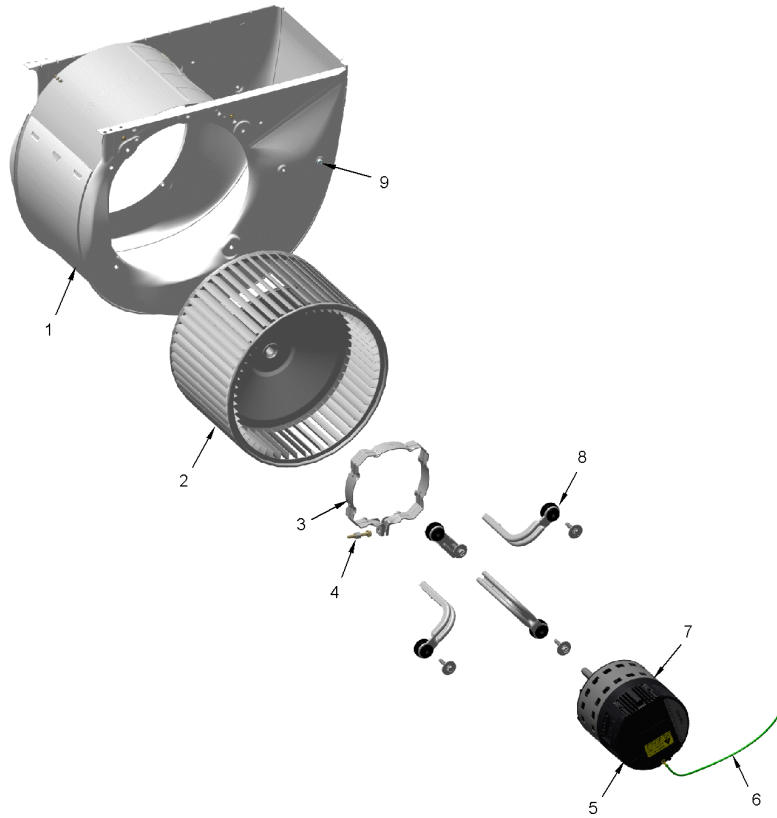
Model Number :TEM6A0C42H41SBA

Part No.	Reference No.	Quantity	Description
75012599_TEM6AUP2_180900-P	*		BLOWER PARTS LIST

BLOWER

75012599

RP  
A



This is a typical illustration. The unit in the field may not appear exactly as shown.

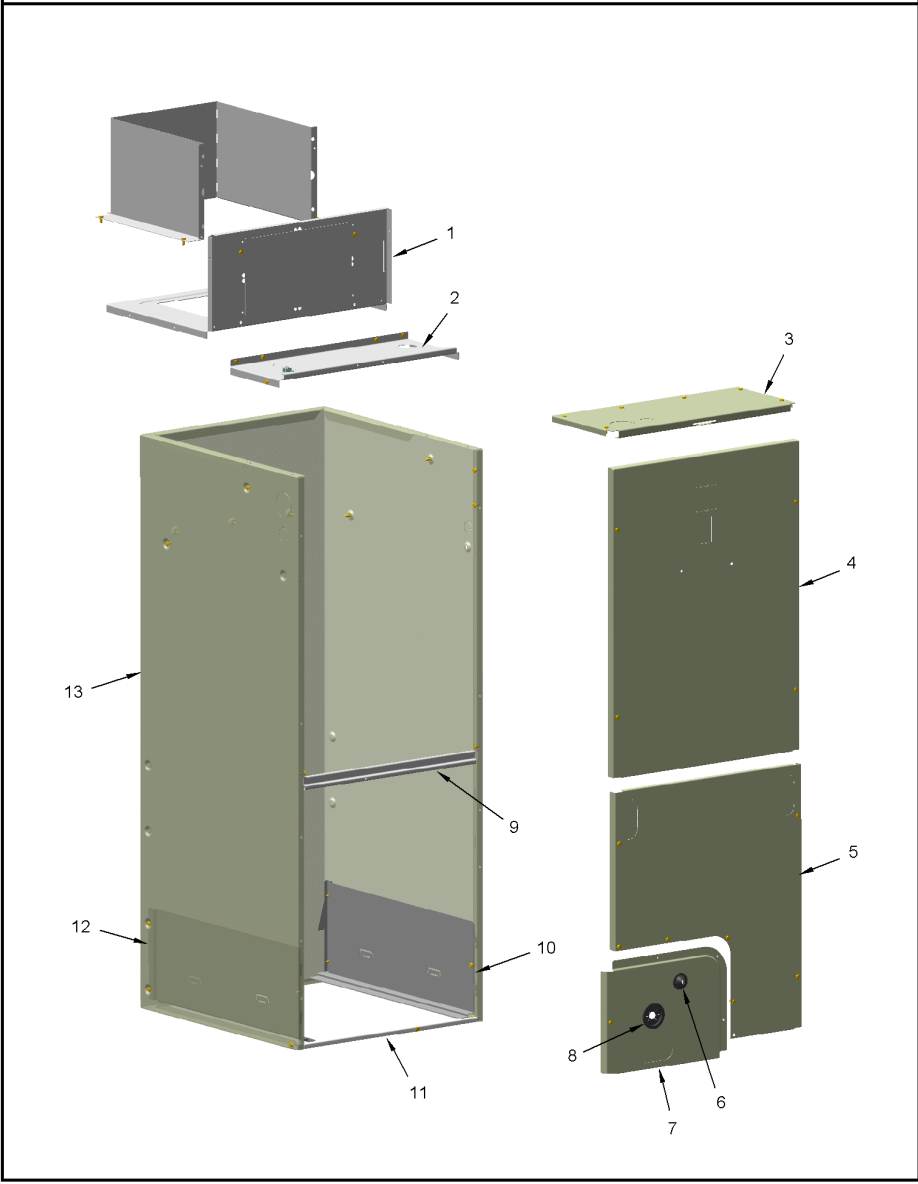
Part No.	Reference No.	Quantity	Description
HUS04351	1	1	HOUSING; BLOWER, METAL, 8.325 INTERIOR WIDTH
WHL02916	2	1	WHEEL; BLOWER, 11 IN DIA, 8 IN WIDTH, 0.50 IN BORE, CW
BND00932	3	1	BAND; MOTOR MOUNT, 17.62 LENGTH
NUT01063	4a	1	NUT; LOCKING NYLON
SCR01584	4b	1	BOLT; 1/4-20 MA HX 1.5 S
MOD02934	5	1	MODULE; EON, ELECTRONIC MOTOR CONTROL, VARIABLE SPEED PROGRAMMED. MODULE ONLY FOR MOT18589
WIR07840	6	1	WIRE; GROUND, 16 AWG, UL 1015, GREEN, 15 IN LENGTH, RING TERMINALS
MOT18589	7	1	MOTOR; ECM VS MOTOR MODULE SET; 1/2 HP; 115/230 VOLTAGE; PROGRAMMED
MOT19283	8	4	MOUNT; MOTOR MOUNT BRACKET, LEG & SCREW ASM
SCR02081	9	1	SCREW; 10-24 C HXW 1/2 SN

CABINET

75010772

REV.  
A

TYPICAL ILLUSTRATION



Parts List Number :75010768#TEM6AUP2

Model Number :TEM6A0C42H41SBA

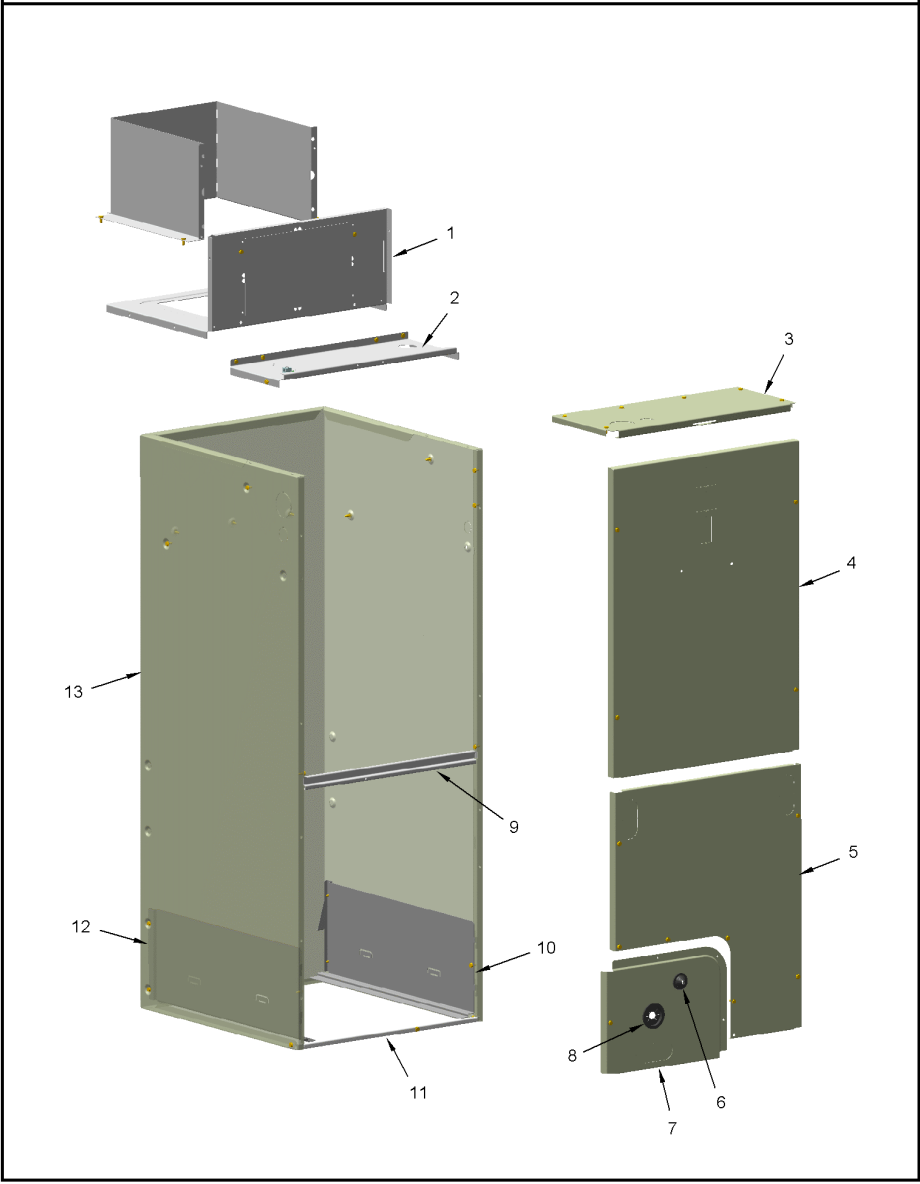
Part No.	Reference No.	Quantity	Description
75010772_TEM6AUP2_180898-P	*		CABINET PARTS LIST

CABINET

75010772

REV.  
A

TYPICAL ILLUSTRATION



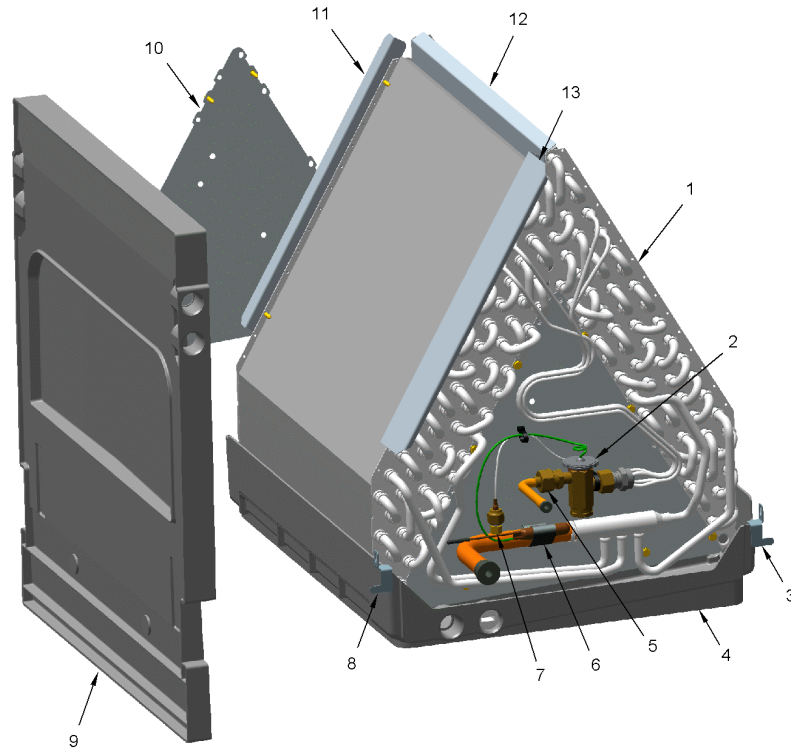
Part No.	Reference No.	Quantity	Description
PAI00074	*	1	PAINT; SPRAY, SLATE GREY, FULL GLOSS(88) (SHIPPING UOM 12 OZ HAZ)
PLT03593	*	1	PLATE; APPEARANCE NAMEPLATE, AMERICAN STANDARD, 6.50 X 1.11
PLT03689	*	1	PLATE; NAMEPLATE TRANE, 6.00 X 1.46 (MOLDED OVAL PLATE)
SCR01081	*	1	SCREW; 10-16 AB 3/4 S N
SUP05921	1	1	SUPPORT; SHELF-BLOWER, 13.20 L X 22.95 W X 7.94 H
PNL29551	3	1	PANEL; TOP COVER, 23.63 X 7.85
PNL29549	4	1	PANEL; BLOWER, 25.29 X 23.63
PNL29545	5	1	PANEL; COIL, 23.63 X 26.12
GRM00864	6	1	GROMMET; CONE GROMMET, LIQUID LINE
PNL29547	7	1	PANEL; LINESET, 12.14 X 9.24
GRM00863	8	1	GROMMET; SUCTION GROMMET
SUP05666	9	1	SUPPORT; CROSSMEMBER, MIDDLE, 22.39 L
SUP05662	10	1	SUPPORT; COIL SHIELD, RIGHT, 20.04 X 7.72
SUP05664	11	1	SUPPORT; CROSSMEMBER, BOTTOM, 23.37 L
SUP05661	12	1	SUPPORT; COIL SHIELD, LEFT, 20.04 X 7.72
CBT01787	13	1	CABINET; WRAPPER

COIL

75010771

REV.  
A

TYPICAL ILLUSTRATION



Parts List Number :75010768#TEM6AUP2

Model Number :TEM6A0C42H41SBA

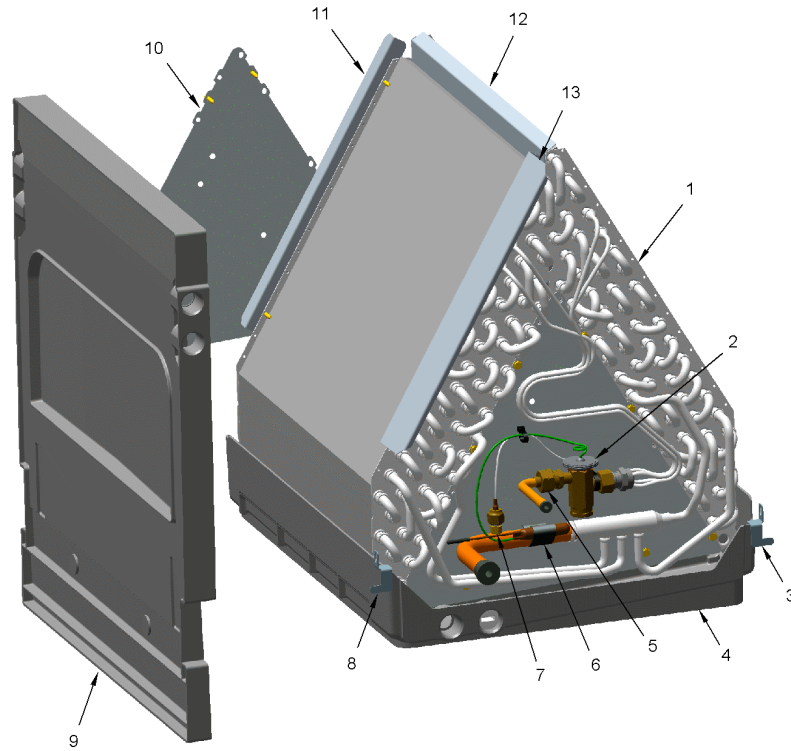
Part No.	Reference No.	Quantity	Description
75010771_TEM6AUP2_180897-P	*		COIL PARTS LIST

COIL

75010771

REV.  
A

TYPICAL ILLUSTRATION

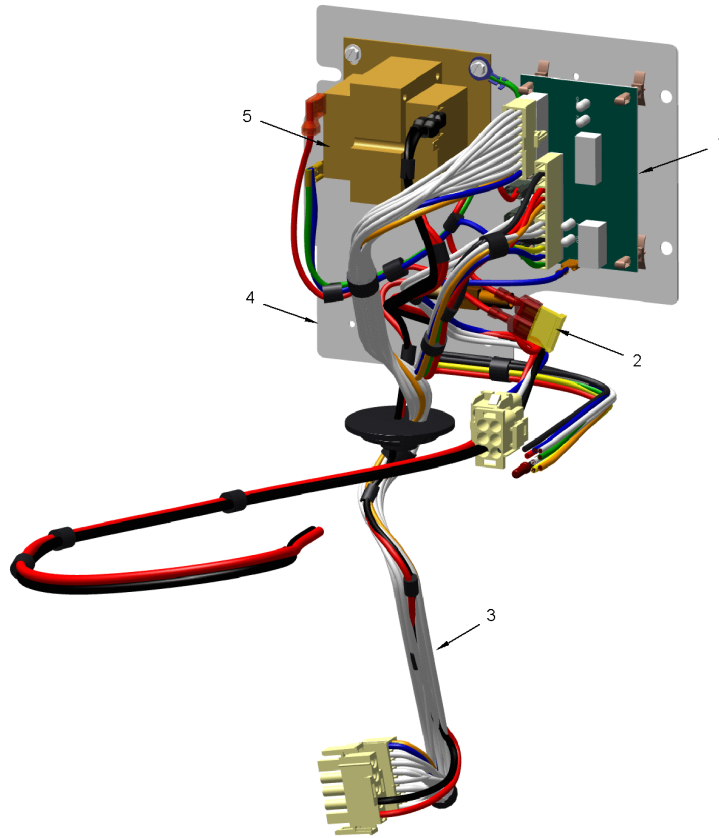


Part No.	Reference No.	Quantity	Description
PLU01169	*	3	PLUG; THREADED 3/4
COL25335	1	1	COIL; ASSEMBLY, INCLUDES DRAINPAN BUT NOT TXV
VAL11799	2	1	VALVE; TEV HXCE 3 KX200 B15 R410A
BRK04501	3	1	BRACKET; COIL, 1.73 X 1.00 X 0.46, RIGHT SIDE
PAN03385	4	1	PAN; DRAIN, UPFLOW, 21.50 X 20.07
NUT01223	5	1	NUT; HEX NUT, 7/8, 3/4-20-2B UNEF THREAD
TUB13534	5	1	TUBE; ASSEMBLY, LIQUID, INCLUDES A 100 MESH PUSH-IN STYLE INLET STRAINER
CLP00182	6	1	CLIP, EXPANSION VALVE
BOD00114	7	1	BODY; VALVE, BRASS, 7/16 HEX, 7/16 -20 UNF-2A
BRK04500	8	1	BRACKET; COIL, 1.73 X 1.00 X 0.46, LEFT SIDE
PAN03387	9	1	PAN; DRAIN, HORIZONTAL, 26.92 X 20.38
DIV00334	11	1	DIVERTER; COIL, REAR, 1.04 X 0.77 X 18.75
DIV00332	12	1	DIVERTER; COIL, 16.38 X 1.20 X 0.57
DIV00330	13	1	DIVERTER, COIL

CONTROLS

75012651

RP  
A



This is a typical illustration. The unit in the field may not appear exactly as shown.

CONTROLS

Parts List Number :75010768#TEM6AUP2

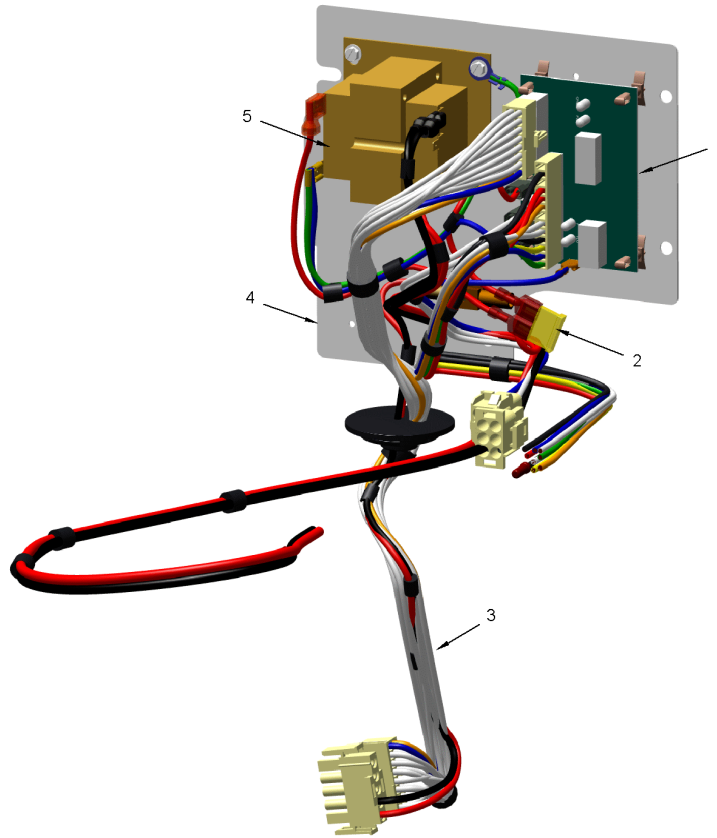
Model Number :TEM6A0C42H41SBA

Part No.	Reference No.	Quantity	Description
75012651_TEM6AUP2_180901~P	*		CONTROLS PARTS LIST

CONTROLS

75012651

RP  
A



This is a typical illustration. The unit in the field may not appear exactly as shown.

## CONTROLS PARTS LIST

Parts List Number :75010768#TEM6AUP2

Model Number :TEM6A0C42H41SBA

<b>Part No.</b>	<b>Reference No.</b>	<b>Quantity</b>	<b>Description</b>
CNT03600	1	1	CONTROL; ICM FAN, PWB, 16 PIN
FUS01089	2	1	FUSE; 5 AMP, TAN, AUTOMOTIVE STYLE
WIR07781	3	1	WIRE; HARNESS ASM VS
PLT05625	4	1	PLATE; CONTROL, 7.38 X 6.69
TRR01557	5	1	TRANSFORMER; 40VA, 200/230V PRI, 24V SEC

OPTIONAL EQUIPMENT

Parts List Number :75010768#TEM6AUP2

Model Number :TEM6A0C42H41SBA

Part No.	Reference No.	Quantity	Description
OPTIONS_TEM6AUP2_374947-P	*		OPTIONAL EQUIPMENT PARTS LIST

Part No.	Reference No.	Quantity	Description
BAYHTR1504LUGB	*	1	4KW HEATER LUGS
BAYHTR1505LUGB	*	1	5KW HEATER LUGS
BAYHTR1508LUGB	*	1	8KW HEATER LUGS
BAYHTR1510LUGB	*	1	10KW HEATER LUGS
BAYHTR1517BRKA	*	1	HEATER 15KW-1PH
BAYHTR1523BRKA	*	1	HEATER 20KW-1PH
BAYHTR3517LUGA	*	1	HEATER 15KW-3PH
BAYSF1235AAA	*	1	FRAME; FILTER, 1 INCH FILTER & FRAME, 23.5 INCHES
BAYSPEKT201A	*	1	KIT; SINGLE POINT POWER ENTRY (BAYSPEKT201A)
FLRSF1235	*	1	FILTER; 1 INCH MERV 4 FILTER, 22.75X19.75X.75 (1 EACH = 12 FILTERS)
KIT18054	*	1	KIT; EMI/EFI AIR HANDLER ELECTRIC NOISE KIT FOR VARIABLE SPEED BLOWER MOTOR (BAYAHEMIKIT001A)
TAYBASE235	*	1	DOWNFLOW SUB-BASE KIT

MODEL NUMBER DESCRIPTION

75011282

REV.  
A

AIR HANDLER

*Example Model Number:*

**TEM4A0B36S31SAA**  
1 - - - 5 - - - 10 - - - 15

**Digit 1 – Brand**

T = Trane

**Digit 2 – Product Type**

E = Air Handler

**Digit 3 – Convertibility**

M = Multi-poise 4-way

**Digit 4 – Product Tier**

3 = Entry Level Multi-Speed  
4 = Entry Level Multi-Speed  
6 = Entry Level Variable-Speed  
8 = Entry Level COMM/24V Variable Speed

**Digit 5 – Major Design Change**

**Digit 6 – No Descriptor**

0 = Air Handler / Coil

**Digit 7 – Size (Footprint) (W X D)**

B = 21.0 x 21.1  
C = 23.5 x 21.1  
D = 26.5 x 21.1

**Digits 8, 9 – Cooling Size: Air Handler or Coil**

0-9 = AH Coil - 1000 BTU's (18, 24, 30, 36, 42, 48, 60)

**Digits 10, 11 – Airflow Type & Capacity**

S = Standard Efficiency, 1-5 nominal Tonnage (cfm/ton)  
H = High Efficiency Variable Speed, 1-5 Nominal Tonnage (cfm/ton)  
V = High Efficiency Variable Speed, 1-5 Nominal Tonnage (cfm/ton)

**Digit 12 – Power Supply**

1 = 208-230/1/60

**Digit 13 – System Control Type**

S = Standard - 24 VAC  
D = Dual (24 VAC / CLII 13.8 VDC)

**Digit 14 – Minor Design Change**

**Digit 15 – Unit Parts Identifier**

Part No.	Reference No.	Quantity	Description
75011282_TEM6AUP2_180899-P	*		MODEL NUMBER DESCRIPTION PARTS LIST

MODEL NUMBER DESCRIPTION

75011282

REV  
B

AIR HANDLER

*Example Model Number:*

**TEM4A0B36S31SAA**  
1 - - - 5 - - - 10 - - - 15

**Digit 1 – Brand**

T = Trane

**Digit 2 – Product Type**

E = Air Handler

**Digit 3 – Convertibility**

M = Multi-poise 4-way

**Digit 4 – Product Tier**

3 = Entry Level Multi-Speed

4 = Entry Level Multi-Speed

6 = Entry Level Variable-Speed

8 = Entry Level COMM/24V Variable Speed

**Digit 5 – Major Design Change**

**Digit 6 – No Descriptor**

0 = Air Handler / Coil

**Digit 7 – Size (Footprint) (W X D)**

B = 21.0 x 21.1

C = 23.5 x 21.1

D = 26.5 x 21.1

**Digits 8, 9 – Cooling Size: Air Handler or Coil**

0-9 = AH Coil - 1000 BTU's (18, 24, 30, 36, 42, 48, 60)

**Digits 10, 11 – Airflow Type & Capacity**

S = Standard Efficiency, 1-5 nominal Tonnage (cfm/ton)

H = High Efficiency Variable Speed, 1-5 Nominal Tonnage (cfm/ton)

M = Mid Efficiency Variable Speed, 1-5 Nominal Tonnage (cfm/ton)

V = High Efficiency Variable Speed, 1-5 Nominal Tonnage (cfm/ton)

**Digit 12 – Power Supply**

1 = 208-230/1/60

**Digit 13 – System Control Type**

S = Standard - 24 VAC

D = Dual (24 VAC / CLII 13.8 VDC)

**Digit 14 – Minor Design Change**

**Digit 15 – Unit Parts Identifier**

