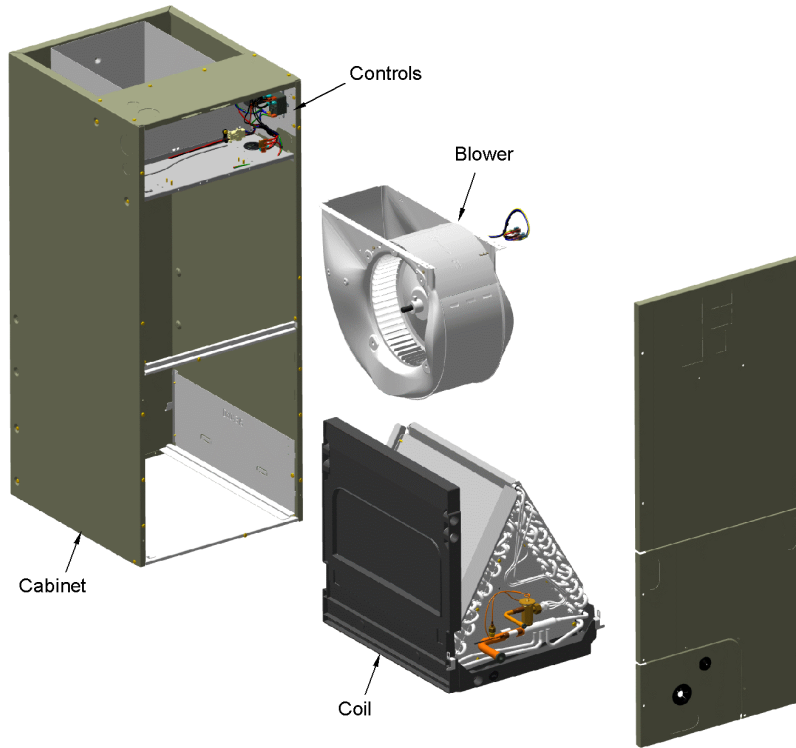


SPLIT SYSTEM AIR HANDLER

75012594

RP
A



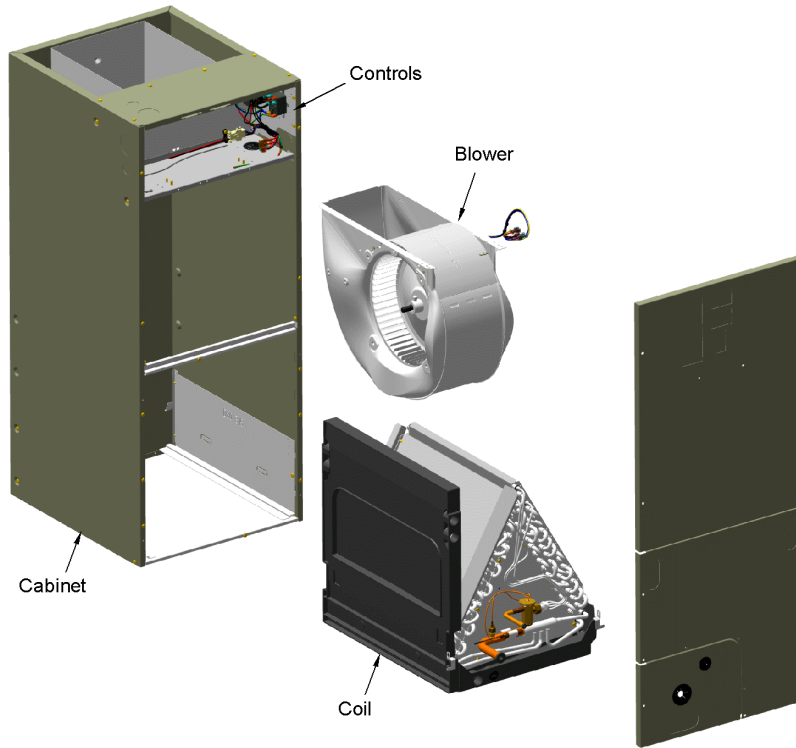
This is a typical illustration. The unit in the field may not appear exactly as shown.

Part No.	Reference No.	Quantity	Description
75012599#TEM6AUP2~S	*		BLOWER
75010772#TEM6AUP2~S	*		CABINET
75010771#TEM6AUP2~S	*		COIL
75012651#TEM6AUP2~S	*		CONTROLS
75012594_TEM6AUP2_202742~P	*		CONVERTIBLE AIR HANDLER PARTS LIST
75011282#TEM6AUP2~S	*		MODEL NUMBER DESCRIPTION
OPTIONS#TEM6AUP2~S	*		OPTIONAL EQUIPMENT

SPLIT SYSTEM AIR HANDLER

75012594

RP
A

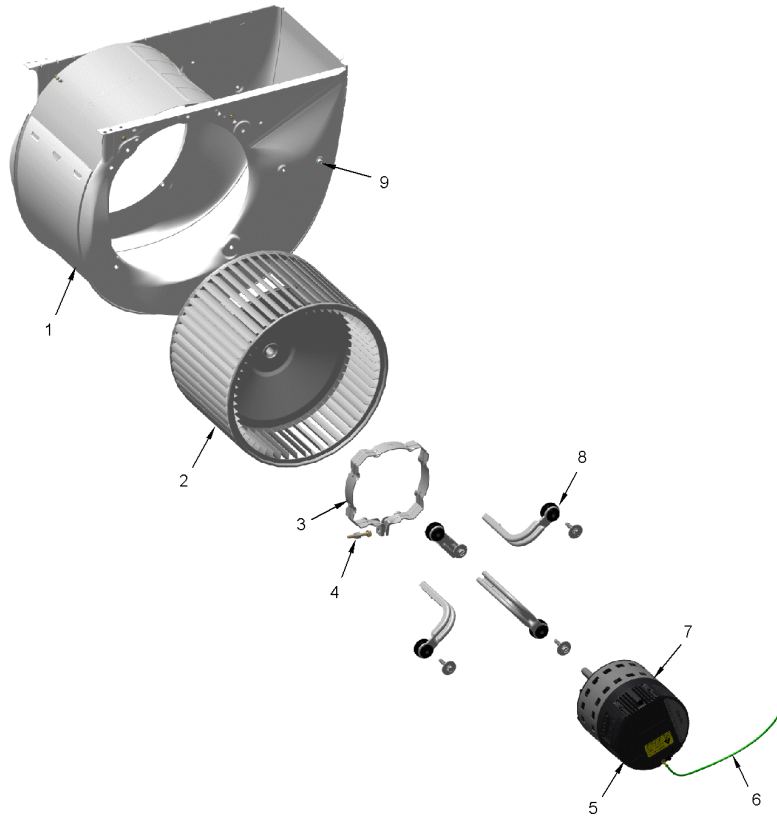


This is a typical illustration. The unit in the field may not appear exactly as shown.

BLOWER

75012599

RP
A



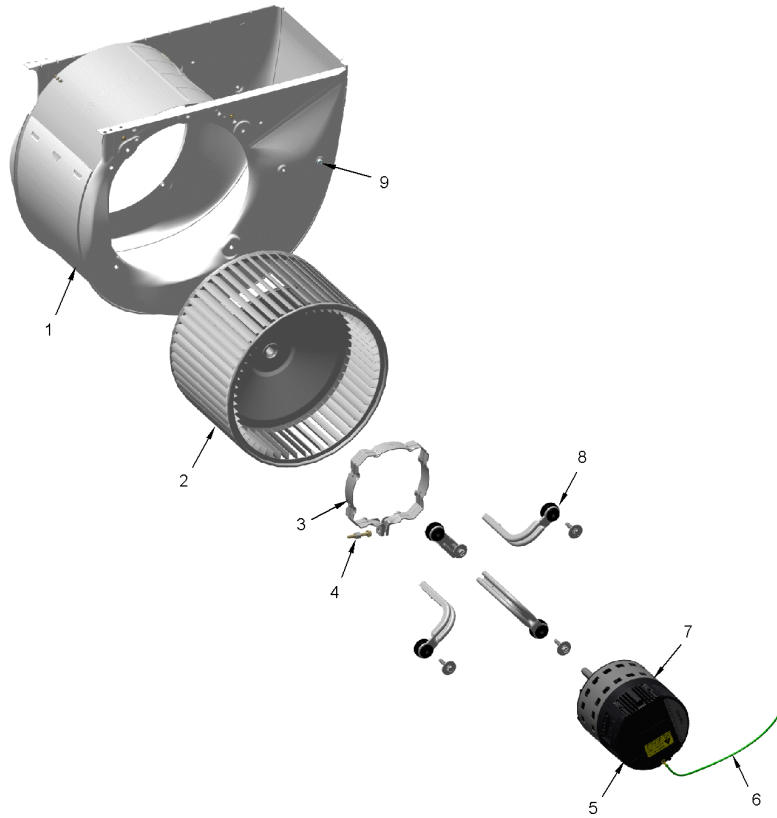
This is a typical illustration. The unit in the field may not appear exactly as shown.

Part No.	Reference No.	Quantity	Description
75012599_TEM6AUP2_325152-P	*		BLOWER PARTS LIST

BLOWER

75012599

RP
A



This is a typical illustration. The unit in the field may not appear exactly as shown.

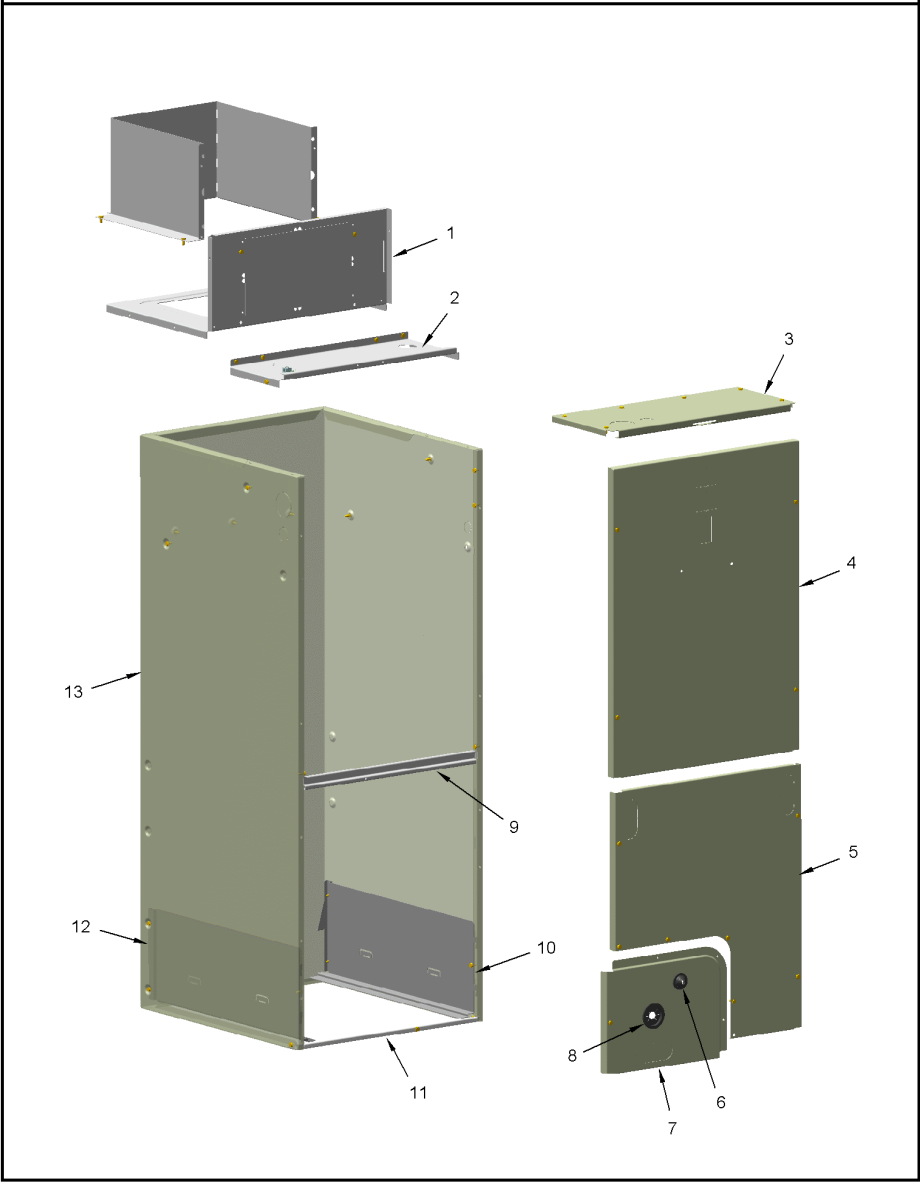
Part No.	Reference No.	Quantity	Description
HUS04351	1	1	HOUSING; BLOWER, METAL, 8.325 INTERIOR WIDTH
WHL02916	2	1	WHEEL; BLOWER, 11 IN DIA, 8 IN WIDTH, 0.50 IN BORE, CW
BND00932	3	1	BAND; MOTOR MOUNT, 17.62 LENGTH
NUT01063	4a	1	NUT; LOCKING NYLON
SCR01584	4b	1	BOLT; 1/4-20 MA HX 1.5 S
MOD02932	5	1	MODULE; EON, ELECTRONIC MOTOR CONTROL, VARIABLE SPEED PROGRAMMED. MODULE ONLY FOR MOT18587
WIR07840	6	1	WIRE; GROUND, 16 AWG, UL 1015, GREEN, 15 IN LENGTH, RING TERMINALS
MOT18587	7	1	MOTOR; ECM VS MOTOR MODULE SET; 1/3 HP; 115/230 VOLTAGE; PROGRAMMED
MOT19283	8	4	MOUNT; MOTOR MOUNT BRACKET, LEG & SCREW ASM
SCR02081	9	1	SCREW; 10-24 C HXW 1/2 SN

CABINET

75010772

REV.
A

TYPICAL ILLUSTRATION



Parts List Number :75012594#TEM6AUP2

Model Number :TEM6A0B24H21SBA

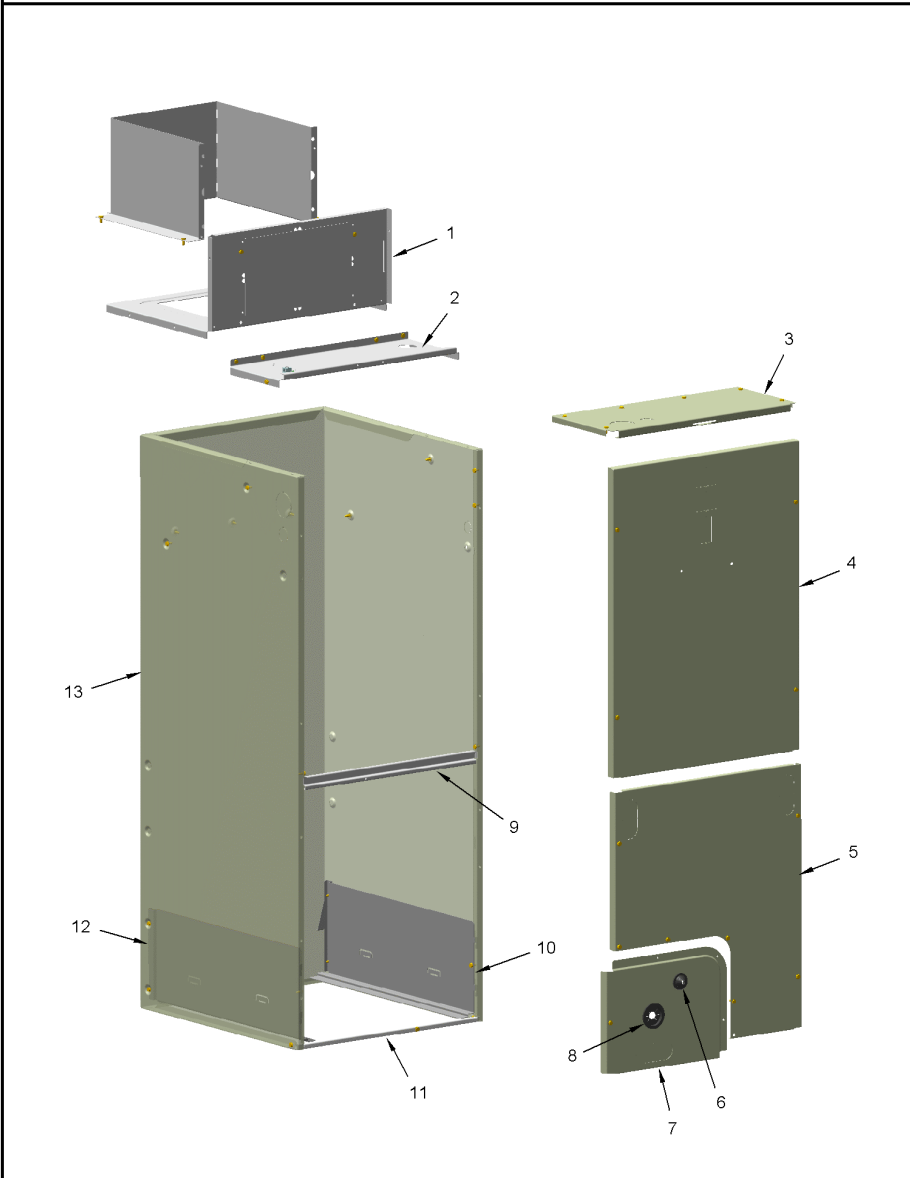
Part No.	Reference No.	Quantity	Description
75010772_TEM6AUP2_202744-P	*		CABINET PARTS LIST

CABINET

75010772

REV.
A

TYPICAL ILLUSTRATION



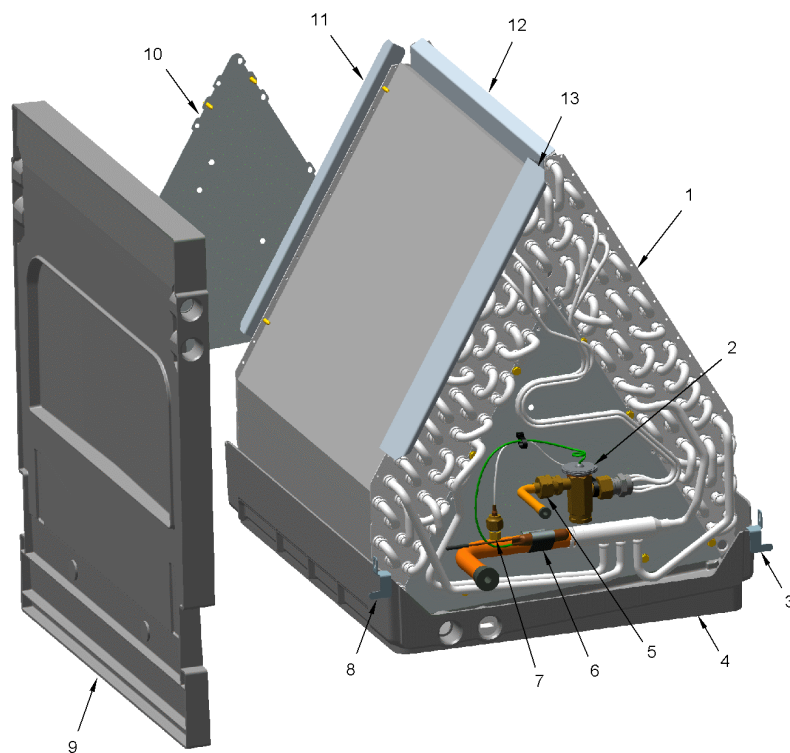
Part No.	Reference No.	Quantity	Description
PAI00074	*	1	PAINT; SPRAY, SLATE GREY, FULL GLOSS(88) (SHIPPING UOM 12 OZ HAZ)
PLT03593	*	1	PLATE; APPEARANCE NAMEPLATE, AMERICAN STANDARD, 6.50 X 1.11
PLT03689	*	1	PLATE; NAMEPLATE TRANE, 6.00 X 1.46 (MOLDED OVAL PLATE)
SCR01081	*	1	SCREW; 10-16 AB 3/4 S N
SUP06388	1	1	SUPPORT; BLOWER SHELF, 13.57 X 17.95 X 7.94
PNL29550	3	1	PANEL; TOP COVER, 18.63 X 7.85
PNL29548	4	1	PANEL; BLOWER, 25.29 X 18.63
PNL32071	5	1	PANEL; COIL, 18.63 X 21.61
GRM00864	6	1	GROMMET; CONE GROMMET, LIQUID LINE
PNL29546	7	1	PANEL; LINESET, 12.14 X 9.24
GRM00863	8	1	GROMMET; SUCTION GROMMET
SUP05665	9	1	SUPPORT; CROSSMEMBER, MIDDLE, 17.39 L
SUP05662	10	1	SUPPORT; COIL SHIELD, RIGHT, 20.04 X 7.72
SUP05663	11	1	SUPPORT; CROSSMEMBER, BOTTOM, 18.37 L
SUP05661	12	1	SUPPORT; COIL SHIELD, LEFT, 20.04 X 7.72
PNL32077	13	1	PANEL; WRAPPER, 21.00 X 18.50 X 53.87

COIL

75010771

REV.
A

TYPICAL ILLUSTRATION



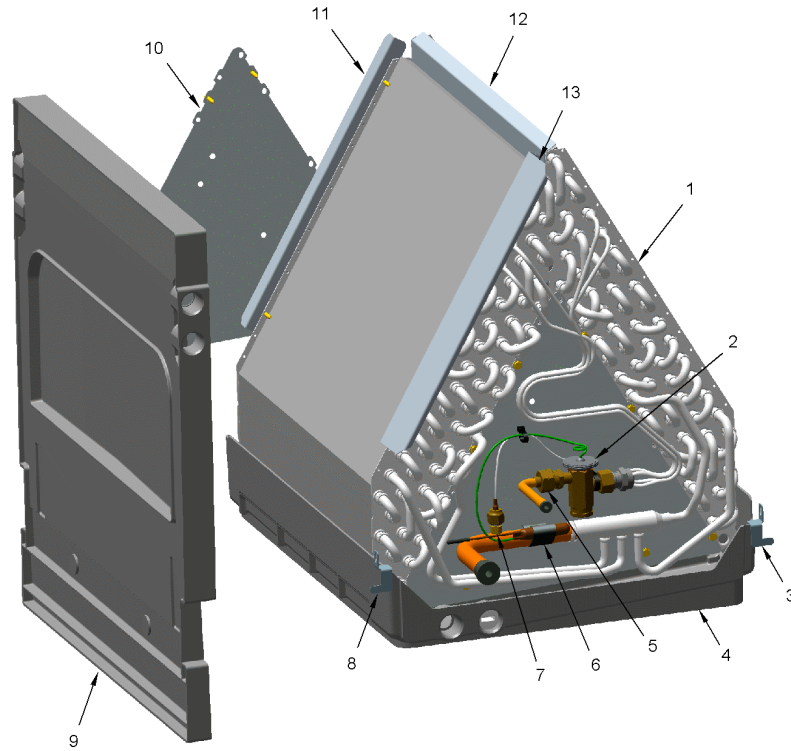
Part No.	Reference No.	Quantity	Description
75010771_TEM6AUP2_202743-P	*		COIL PARTS LIST

COIL

75010771

REV.
A

TYPICAL ILLUSTRATION

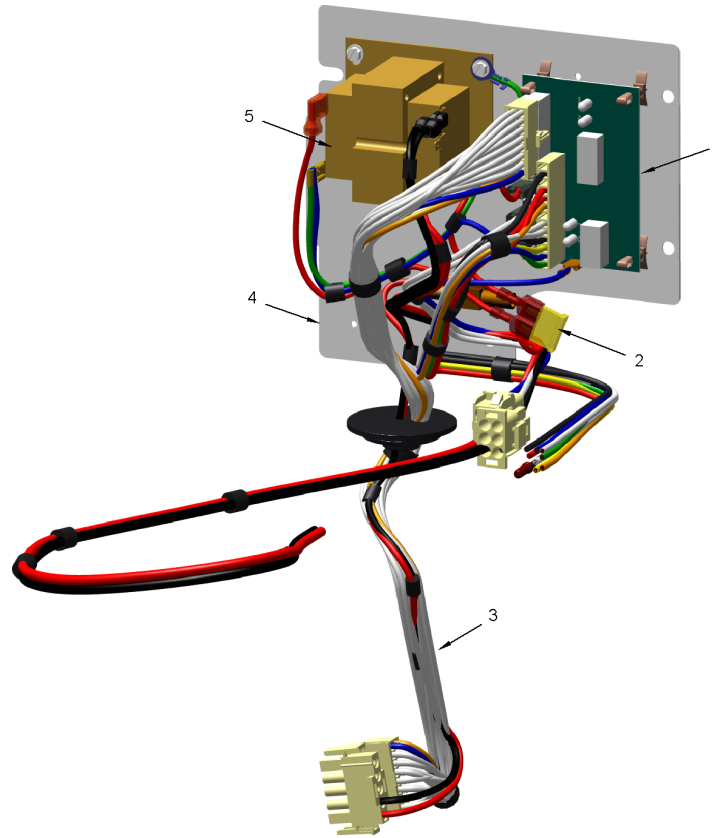


Part No.	Reference No.	Quantity	Description
PLU01169	*	3	PLUG; THREADED 3/4
COL31101	1	1	COIL, BLK EPOXY; ASSEMBLY, INCLUDES DRAIN PAN & TXV
COL31306	1A	1	COIL; ASSEMBLY, INCLUDES DRAIN PAN & TXV
VAL11798	2	1	VALVE; TEV HXCE 3 KX200 B15 R410A
BRK04501	3	1	BRACKET; COIL, 1.73 X 1.00 X 0.46, RIGHT SIDE
PAN03384	4	1	PAN; DRAIN, UPFLOW, 16.50 X 20.07
NUT01223	5	1	NUT; HEX NUT, 7/8, 3/4-20-2B UNEF THREAD
TUB13534	5A	1	TUBE; ASSEMBLY, LIQUID, INCLUDES A 100 MESH PUSH-IN STYLE INLET STRAINER
CLP00200	6	1	CLIP; BULB
BOD00114	7	1	BODY; VALVE, BRASS, 7/16 HEX, 7/16 -20 UNF-2A
BRK04500	8	1	BRACKET; COIL, 1.73 X 1.00 X 0.46, LEFT SIDE
PAN03870	9	1	PAN; DRAIN, HORIZONTAL, 22.42 X 20.38
BAF01413	10	2	BAFFLE; COIL
DIV00333	11	1	DIVERTER; COIL, REAR, 1.04 X 0.77 X 13.75
DIV00332	12	1	DIVERTER; COIL, 16.38 X 1.20 X 0.57
DIV00331	13	1	DIVERTER, COIL

CONTROLS

75012651

RP
A



This is a typical illustration. The unit in the field may not appear exactly as shown.

CONTROLS

Parts List Number :75012594#TEM6AUP2

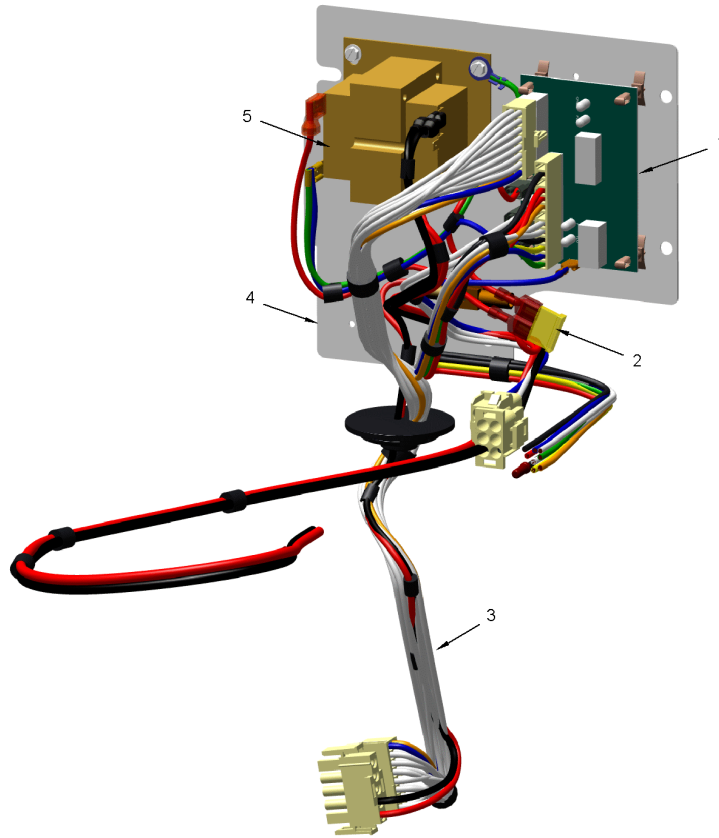
Model Number :TEM6A0B24H21SBA

Part No.	Reference No.	Quantity	Description
75012651_TEM6AUP2_180901~P	*		CONTROLS PARTS LIST

CONTROLS

75012651

RP
A



This is a typical illustration. The unit in the field may not appear exactly as shown.

CONTROLS PARTS LIST

Parts List Number :75012594#TEM6AUP2

Model Number :TEM6A0B24H21SBA

Part No.	Reference No.	Quantity	Description
CNT03600	1	1	CONTROL; ICM FAN, PWB, 16 PIN
FUS01089	2	1	FUSE; 5 AMP, TAN, AUTOMOTIVE STYLE
WIR07781	3	1	WIRE; HARNESS ASM VS
PLT05625	4	1	PLATE; CONTROL, 7.38 X 6.69
TRR01557	5	1	TRANSFORMER; 40VA, 200/230V PRI, 24V SEC

OPTIONAL EQUIPMENT

Parts List Number :75012594#TEM6AUP2

Model Number :TEM6A0B24H21SBA

Part No.	Reference No.	Quantity	Description
OPTIONS_TEM6AUP2_325153-P	*		OPTIONAL EQUIPMENT PARTS LIST

Part No.	Reference No.	Quantity	Description
BAYHTR1504LUGB	*	1	4KW HEATER LUGS
BAYHTR1505LUGB	*	1	5KW HEATER LUGS
BAYHTR1508LUGB	*	1	8KW HEATER LUGS
BAYHTR1510LUGB	*	1	10KW HEATER LUGS
BAYHTR1517BRKA	*	1	HEATER 15KW-1PH
BAYHTR3517LUGA	*	1	HEATER 15KW-3PH
BAYSF1185AAA	*	1	1" FILTER & FRAME, 18.5"
BAYSPEKT201A	*	1	KIT; SINGLE POINT POWER ENTRY (BAYSPEKT201A)
FLRSF1185	*	1	FILTER; 1 INCH MERV 4 FILTER, 17.75X19.75X.75 (1 EACH = 12 FILTERS)
KIT17745	*	1	KIT; FIELD MOUNTED TXV, R22 (BAY6TXV2442A)
KIT18054	*	1	KIT; EMI/EFI AIR HANDLER ELECTRIC NOISE KIT FOR VARIABLE SPEED BLOWER MOTOR (BAYAHEMIKIT001A)
TAYBASE185	*	1	KIT; DOWNFLOW SUB-BASE KIT, 18.5 CABINET

MODEL NUMBER DESCRIPTION	75011282	REV. A
AIR HANDLER		
<i>Example Model Number:</i> TEM4A0B36S31SAA <small>1 - - - 5 - - - 10 - - - 15</small>		
Digit 1 – Brand T = Trane		
Digit 2 – Product Type E = Air Handler		
Digit 3 – Convertibility M = Multi-poise 4-way		
Digit 4 – Product Tier 3 = Entry Level Multi-Speed 4 = Entry Level Multi-Speed 6 = Entry Level Variable-Speed 8 = Entry Level COMM/24V Variable Speed		
Digit 5 – Major Design Change		
Digit 6 – No Descriptor 0 = Air Handler / Coil		
Digit 7 – Size (Footprint) (W X D) B = 21.0 x 21.1 C = 23.5 x 21.1 D = 26.5 x 21.1		
Digits 8, 9 – Cooling Size: Air Handler or Coil 0-9 = AH Coil - 1000 BTU's (18, 24, 30, 36, 42, 48, 60)		
Digits 10, 11 – Airflow Type & Capacity S = Standard Efficiency, 1-5 nominal Tonnage (cfm/ton) H = High Efficiency Variable Speed, 1-5 Nominal Tonnage (cfm/ton) V = High Efficiency Variable Speed, 1-5 Nominal Tonnage (cfm/ton)		
Digit 12 – Power Supply 1 = 208-230/1/60		
Digit 13 – System Control Type S = Standard - 24 VAC D = Dual (24 VAC / CLII 13.8 VDC)		
Digit 14 – Minor Design Change		
Digit 15 – Unit Parts Identifier		
1 of 1		

Part No.	Reference No.	Quantity	Description
75011282_TEM6AUP2_180899-P	*		MODEL NUMBER DESCRIPTION PARTS LIST

MODEL NUMBER DESCRIPTION

75011282

REV
B

AIR HANDLER

Example Model Number:

TEM4A0B36S31SAA
1 - - - 5 - - - 10 - - - 15

Digit 1 – Brand

T = Trane

Digit 2 – Product Type

E = Air Handler

Digit 3 – Convertibility

M = Multi-poise 4-way

Digit 4 – Product Tier

3 = Entry Level Multi-Speed

4 = Entry Level Multi-Speed

6 = Entry Level Variable-Speed

8 = Entry Level COMM/24V Variable Speed

Digit 5 – Major Design Change

Digit 6 – No Descriptor

0 = Air Handler / Coil

Digit 7 – Size (Footprint) (W X D)

B = 21.0 x 21.1

C = 23.5 x 21.1

D = 26.5 x 21.1

Digits 8, 9 – Cooling Size: Air Handler or Coil

0-9 = AH Coil - 1000 BTU's (18, 24, 30, 36, 42, 48, 60)

Digits 10, 11 – Airflow Type & Capacity

S = Standard Efficiency, 1-5 nominal Tonnage (cfm/ton)

H = High Efficiency Variable Speed, 1-5 Nominal Tonnage (cfm/ton)

M = Mid Efficiency Variable Speed, 1-5 Nominal Tonnage (cfm/ton)

V = High Efficiency Variable Speed, 1-5 Nominal Tonnage (cfm/ton)

Digit 12 – Power Supply

1 = 208-230/1/60

Digit 13 – System Control Type

S = Standard - 24 VAC

D = Dual (24 VAC / CLII 13.8 VDC)

Digit 14 – Minor Design Change

Digit 15 – Unit Parts Identifier

