

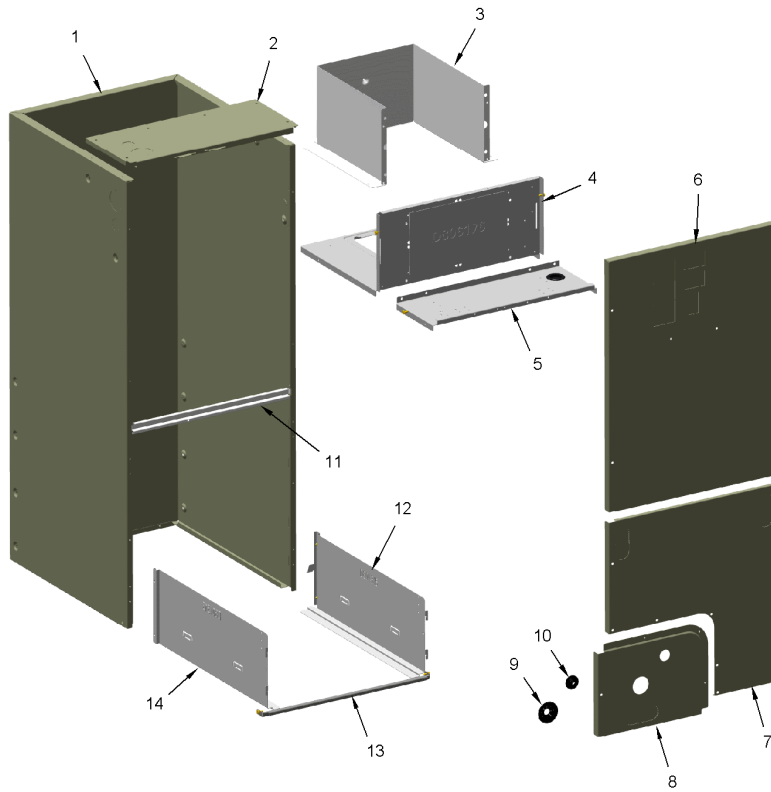
<b>Part No.</b>	<b>Reference No.</b>	<b>Quantity</b>	<b>Description</b>
0000159611~S	*		AIR HANDLER PARTS LIST
0000150249~S	*		BLOWER PARTS LIST
0000193591~S	*		CABINET
0000150251~S	*		COIL PARTS LIST
0000150252~S	*		CONTROLS PARTS LIST
0000150248~S	*		GENERAL ASSEMBLY
0000150254~S	*		MODEL NUMBER DESCRIPTION

Part No.	Reference No.	Quantity	Description
0000027032~P	*		AIR HANDLER PARTS LIST

CABINET

75012596

RP  
A



This is a typical illustration. The unit in the field may not appear exactly as shown.

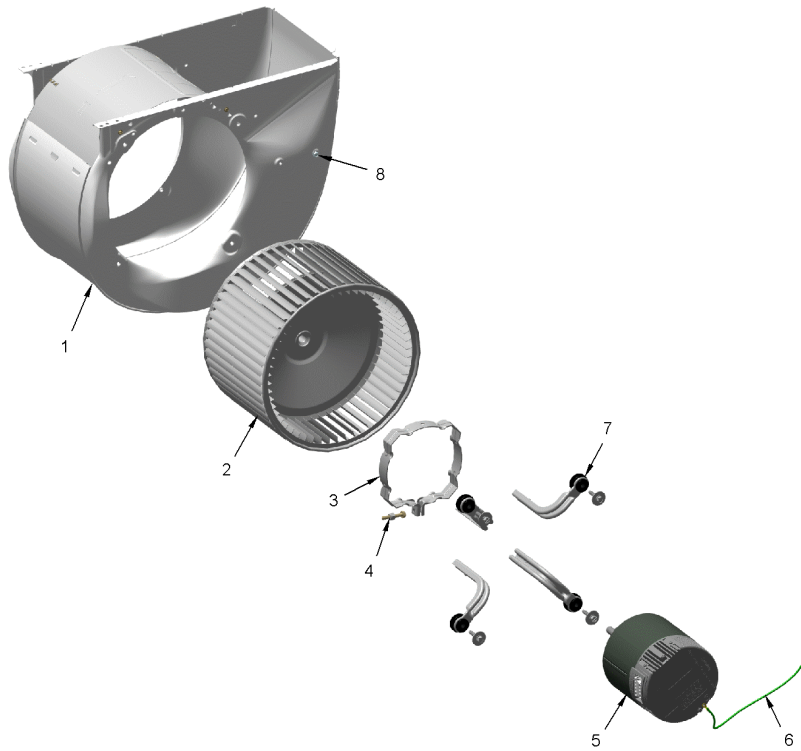
Part No.	Reference No.	Quantity	Description
BRK04471	*	1	BRACKET; DRAIN PAN CLIP
BRK04500	*	1	BRACKET; COIL, 1.73 X 1.00 X 0.46, LEFT SIDE
BRK04501	*	1	BRACKET; COIL, 1.73 X 1.00 X 0.46, RIGHT SIDE
BRK05028	*	4	BRACKET; MOTOR MOUNT, 3.28 X 4.55, INCLUDES GROMMET
NUT01063	*	1	NUT; LOCKING NYLON
NUT01223	*	1	NUT; HEX NUT, 7/8, 3/4-20-2B UNEF THREAD
SCR01510	*	63	SCREW; 10-16 AB HXW 1/2 SN
SCR02081	*	1	SCREW; 10-24 C HXW 1/2 SN
SCR02108	*	13	SCREW; SCR 10-16 AB HXW 5/8 S
SUP05664	*	1	SUPPORT; CROSSMEMBER, BOTTOM, 23.37 L
PNL29547		1	PANEL; LINESET, 12.14 X 9.24
PNL29545	1	1	PANEL; COIL, 23.63 X 26.12
PNL29549	2	1	PANEL; BLOWER, 25.29 X 23.63
SUP06389	3	1	SUPPORT; BLOWER SHELF, 13.57 X 22.95 X 7.94
PNL29551	4	1	PANEL; TOP COVER, 23.63 X 7.85
MOT19283	8	4	MOUNT; MOTOR MOUNT BRACKET, LEG & SCREW ASM
SUP05666	9	1	SUPPORT; CROSSMEMBER, MIDDLE, 22.39 L
SUP05662	10	1	SUPPORT; COIL SHIELD, RIGHT, 20.04 X 7.72
SUP05661	11	1	SUPPORT; COIL SHIELD, LEFT, 20.04 X 7.72

Part No.	Reference No.	Quantity	Description
0000026900~P	*		BLOWER PARTS LIST

BLOWER

75012600

RP  
A



This is a typical illustration. The unit in the field may not appear exactly as shown.

Part No.	Reference No.	Quantity	Description
BND00934	*	1	BAND; BELLY BAND ASSEMBLY, INCLUDES BAND, MOTOR LEGS, MOUNTING HARDWARE
BRK05028	*	4	BRACKET; MOTOR MOUNT, 3.28 X 4.55, INCLUDES GROMMET
TIE00023	*	1	TIE;CABLE, 8.00IN.
BND00917		1	BAND; BELLY BAND ASSEMBLY, INCLUDES BAND, MOTOR LEGS, MOUNTING HARDWARE
HUS04351	1	1	HOUSING; BLOWER, METAL, 8.325 INTERIOR WIDTH
WHL02916	2	1	WHEEL; BLOWER, 11 IN DIA, 8 IN WIDTH, 0.50 IN BORE, CW
BND00932	3	1	BAND; MOTOR MOUNT, 17.62 LENGTH
NUT01063	4	1	NUT; LOCKING NYLON
MOT20709	5	1	MOTOR; ASM
MOT19283	7	4	MOUNT; MOTOR MOUNT BRACKET, LEG & SCREW ASM
SCR02081	8	1	SCREW; 10-24 C HXW 1/2 SN

<b>Part No.</b>	<b>Reference No.</b>	<b>Quantity</b>	<b>Description</b>
0000045288~P	*		CABINET CROSSMEMBER BOTTOM PARTS LIST
0000045310~P	*		SUPPORT-COIL SHIELD PARTS LIST

Parts List Number :0000150202

Model Number :TEM4A0C48S41SCA

<b>Part No.</b>	<b>Reference No.</b>	<b>Quantity</b>	<b>Description</b>
SUP05664	1	1	SUPPORT; CROSSMEMBER, BOTTOM, 23.37 L

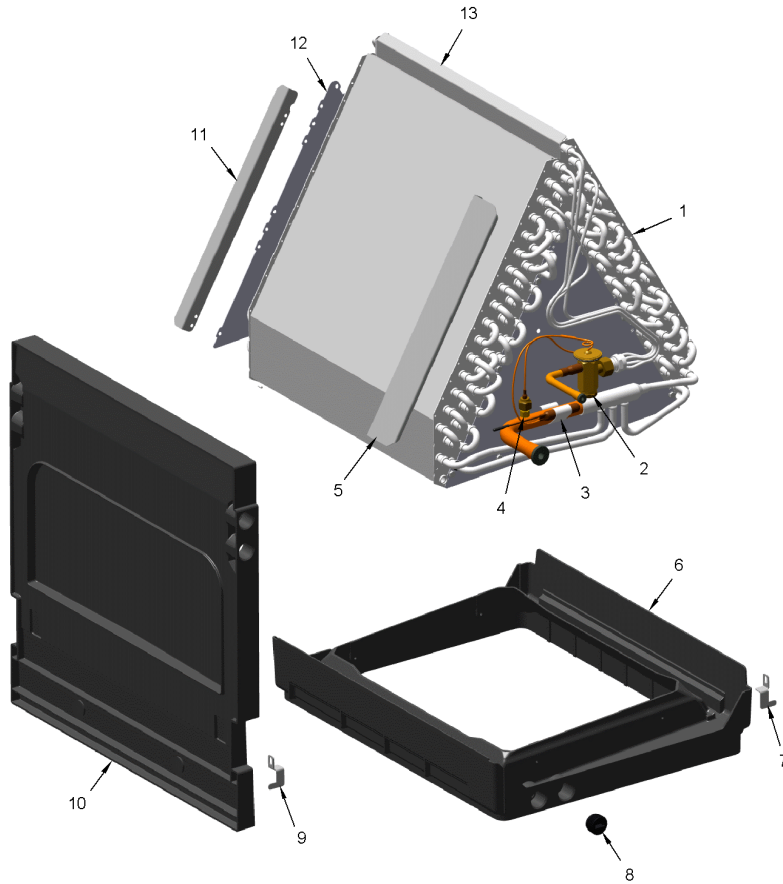
<b>Part No.</b>	<b>Reference No.</b>	<b>Quantity</b>	<b>Description</b>
SUP05662	1	1	SUPPORT; COIL SHIELD, RIGHT, 20.04 X 7.72

<b>Part No.</b>	<b>Reference No.</b>	<b>Quantity</b>	<b>Description</b>
0000026917~P	*		COIL PARTS LIST

COIL

75012598

RP  
A



This is a typical illustration. The unit in the field may not appear exactly as shown.

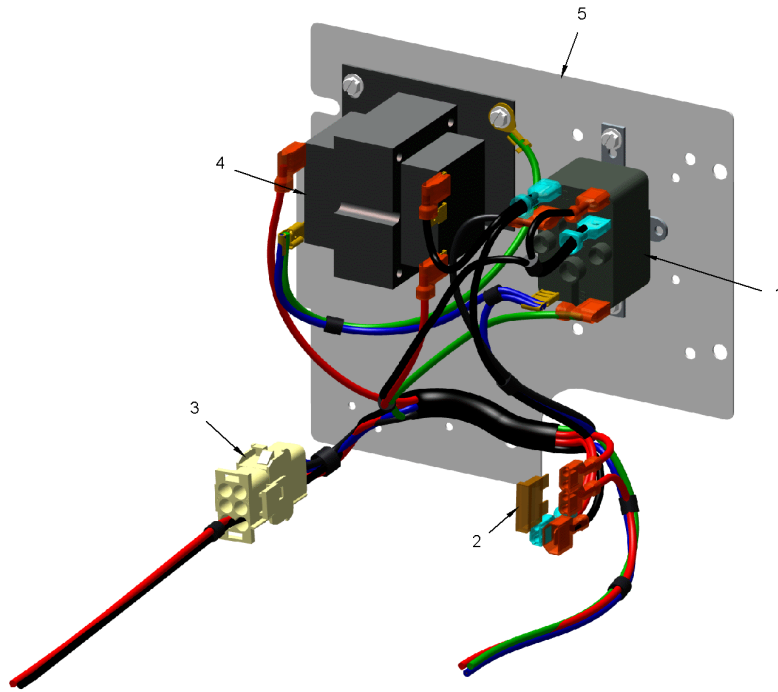
<b>Part No.</b>	<b>Reference No.</b>	<b>Quantity</b>	<b>Description</b>
CLP00182	*	1	CLIP, EXPANSION VALVE
NUT01223	*	1	NUT; HEX NUT, 7/8, 3/4-20-2B UNEF THREAD
PAN04391	*	1	PAN; HORIZ DRAIN PAN, SHORT C CABINET
SCR01510	*	24	SCREW; 10-16 AB HXW 1/2 SN
TIE00026	*	1	TIE; CABLE, 8-1/2IN.
VAL20696	*	1	VALVE; EXPANSION
PAN04390		1	PAN; UPFLOW DRAIN PAN ASM, C WIDTH
COL31100	1*	1	COIL, BLK EPOXY; ASSEMBLY, INCLUDES DRAIN PAN & TXV
COL31305	1	1	COIL; ASSEMBLY, INCLUDES DRAIN PAN & TXV
TUB14354	3	1	TUBE; LIQUID TUBE ASSEMBLY
BOD00114	4	1	BODY; VALVE, BRASS, 7/16 HEX, 7/16 -20 UNF-2A
PLU01169	8	1	PLUG; THREADED 3/4

<b>Part No.</b>	<b>Reference No.</b>	<b>Quantity</b>	<b>Description</b>
0000026950~P	*		CONTROLS PARTS LIST
0000026952~P	*		CONTROLS PARTS LIST

CONTROLS

75012597

RP  
A



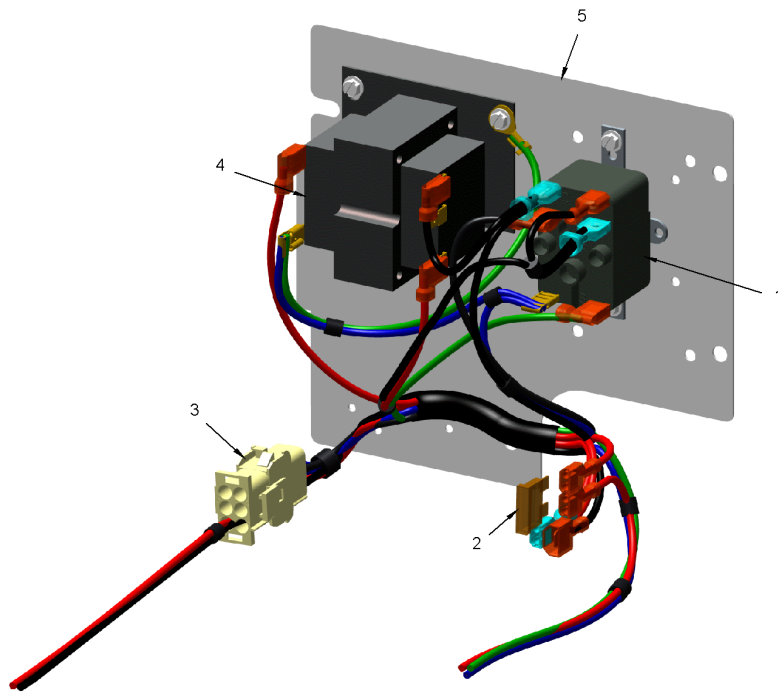
This is a typical illustration. The unit in the field may not appear exactly as shown.

<b>Part No.</b>	<b>Reference No.</b>	<b>Quantity</b>	<b>Description</b>
TIE00026	*	1	TIE; CABLE, 8-1/2IN.
FUS01089	2	1	FUSE; 5 AMP, TAN, AUTOMOTIVE STYLE
WIR09942	3	1	WIRE; HARNESS ASM-CTM
TRR01557	4	1	TRANSFORMER; 40VA, 200/230V PRI, 24V SEC
PLT05625	5	1	PLATE; CONTROL, 7.38 X 6.69

CONTROLS

75012597

RP  
A



This is a typical illustration. The unit in the field may not appear exactly as shown.

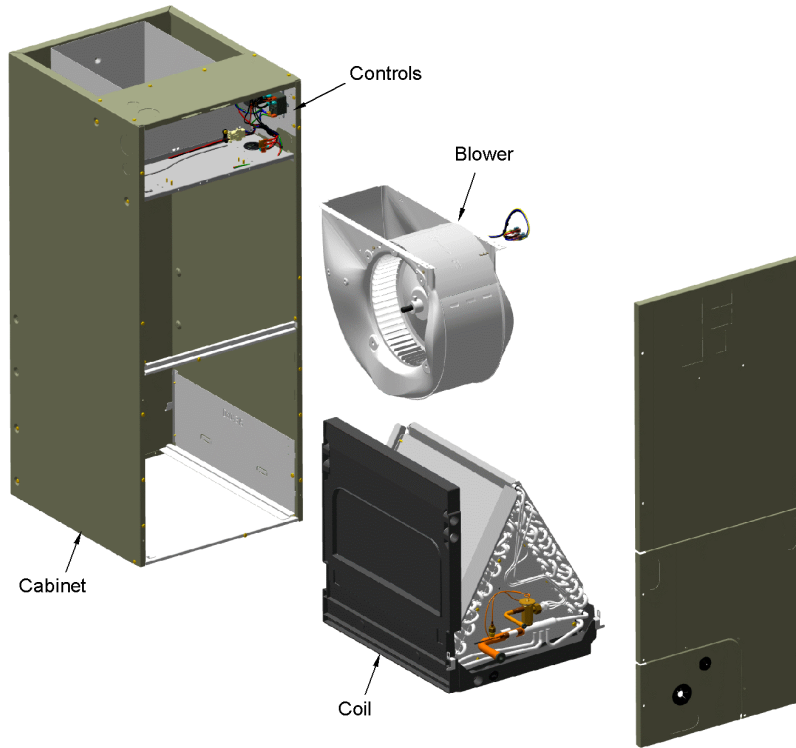
<b>Part No.</b>	<b>Reference No.</b>	<b>Quantity</b>	<b>Description</b>
TIE00026	*	1	TIE; CABLE, 8-1/2IN.
FUS01089	2	1	FUSE; 5 AMP, TAN, AUTOMOTIVE STYLE
WIR09455	3	1	WIRE; HARNESS ASM-CTM
TRR01557	4	1	TRANSFORMER; 40VA, 200/230V PRI, 24V SEC
PLT05625	5	1	PLATE; CONTROL, 7.38 X 6.69

Part No.	Reference No.	Quantity	Description
0000027047~P	*		GENERAL ASSEMBLY GRAPHIC

SPLIT SYSTEM AIR HANDLER

75012594

RP  
A



This is a typical illustration. The unit in the field may not appear exactly as shown.

Part No.	Reference No.	Quantity	Description
0000046267~P	*		MODEL NUMBER DESCRIPTION

<b>MODEL NUMBER DESCRIPTION</b>	<b>75011282</b>	REV <b>B</b>
<b>AIR HANDLER</b>		
<i>Example Model Number:</i> <b>TEM4A0B36S31SAA</b> 1 - - - 5 - - - 10 - - - 15		
<b>Digit 1 – Brand</b> T = Trane		
<b>Digit 2 – Product Type</b> E = Air Handler		
<b>Digit 3 – Convertibility</b> M = Multi-poise 4-way		
<b>Digit 4 – Product Tier</b> 3 = Entry Level Multi-Speed 4 = Entry Level Multi-Speed 6 = Entry Level Variable-Speed 8 = Entry Level COMM/24V Variable Speed		
<b>Digit 5 – Major Design Change</b>		
<b>Digit 6 – No Descriptor</b> 0 = Air Handler / Coil		
<b>Digit 7 – Size (Footprint) (W X D)</b> B = 21.0 x 21.1 C = 23.5 x 21.1 D = 26.5 x 21.1		
<b>Digits 8, 9 – Cooling Size: Air Handler or Coil</b> 0-9 = AH Coil - 1000 BTU's (18, 24, 30, 36, 42, 48, 60)		
<b>Digits 10, 11 – Airflow Type &amp; Capacity</b> S = Standard Efficiency, 1-5 nominal Tonnage (cfm/ton) H = High Efficiency Variable Speed, 1-5 Nominal Tonnage (cfm/ton) M = Mid Efficiency Variable Speed, 1-5 Nominal Tonnage (cfm/ton) V = High Efficiency Variable Speed, 1-5 Nominal Tonnage (cfm/ton)		
<b>Digit 12 – Power Supply</b> 1 = 208-230/1/60		
<b>Digit 13 – System Control Type</b> S = Standard - 24 VAC D = Dual (24 VAC / CLII 13.8 VDC)		
<b>Digit 14 – Minor Design Change</b>		
<b>Digit 15 – Unit Parts Identifier</b>		
1 of 1		

