

Part No.	Reference No.	Quantity	Description
0000159611~S	*		AIR HANDLER PARTS LIST
0000150249~S	*		BLOWER PARTS LIST
0000193591~S	*		CABINET
0000150251~S	*		COIL PARTS LIST
0000150252~S	*		CONTROLS PARTS LIST
0000167714~S	*		DRAIN PAN
0000150248~S	*		GENERAL ASSEMBLY
0000150254~S	*		MODEL NUMBER DESCRIPTION
0000150253~S	*		OPTIONAL ACCESORIES

Part No.	Reference No.	Quantity	Description
0000026992~P	*		AIR HANDLER PARTS LIST



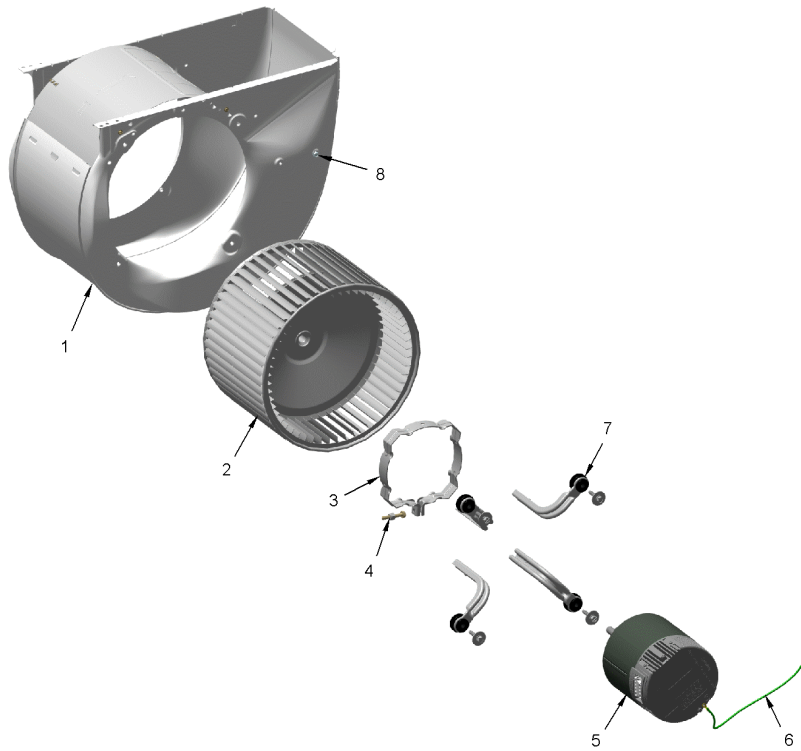
Part No.	Reference No.	Quantity	Description
BRK04500	*	1	BRACKET; COIL, 1.73 X 1.00 X 0.46, LEFT SIDE
BRK04501	*	1	BRACKET; COIL, 1.73 X 1.00 X 0.46, RIGHT SIDE
BRK05028	*	4	BRACKET; MOTOR MOUNT, 3.28 X 4.55, INCLUDES GROMMET
MOT19283	*	4	MOUNT; MOTOR MOUNT BRACKET, LEG & SCREW ASM
MOT19584	*	1	MOTOR; CONSTANT TORQUE, PROGRAMMED, 1/2 HP, 208-230/60/1, 48 FRAME, BALL BEARING
NUT01063	*	1	NUT; LOCKING NYLON
NUT01223	*	1	NUT; HEX NUT, 7/8, 3/4-20-2B UNEF THREAD
PNL29547	*	1	PANEL; LINESET, 12.14 X 9.24
SCR01510	*	63	SCREW; 10-16 AB HXW 1/2 SN
SCR02081	*	1	SCREW; 10-24 C HXW 1/2 SN
SCR02108	*	13	SCREW; SCR 10-16 AB HXW 5/8 S
SUP05664	*	1	SUPPORT; CROSSMEMBER, BOTTOM, 23.37 L
PNL29545	1	1	PANEL; COIL, 23.63 X 26.12
PNL29549	2	1	PANEL; BLOWER, 25.29 X 23.63
SUP06389	3	1	SUPPORT; BLOWER SHELF, 13.57 X 22.95 X 7.94
PNL29551	4	1	PANEL; TOP COVER, 23.63 X 7.85
SUP05666	9	1	SUPPORT; CROSSMEMBER, MIDDLE, 22.39 L
SUP05662	10	1	SUPPORT; COIL SHIELD, RIGHT, 20.04 X 7.72
SUP05661	11	1	SUPPORT; COIL SHIELD, LEFT, 20.04 X 7.72

Part No.	Reference No.	Quantity	Description
0000026891~P	*		BLOWER PARTS LIST
0000032609~P	*		BLOWER PARTS LIST

BLOWER

75012600

RP
A



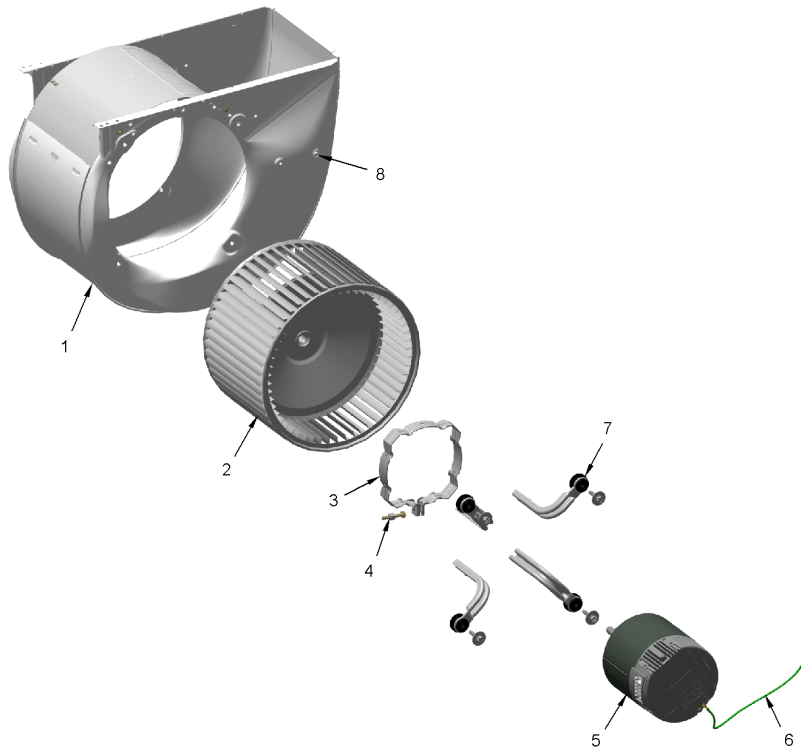
This is a typical illustration. The unit in the field may not appear exactly as shown.

Part No.	Reference No.	Quantity	Description
BND00917	*	1	BAND; BELLY BAND ASSEMBLY, INCLUDES BAND, MOTOR LEGS, MOUNTING HARDWARE
TIE00023	*	1	TIE;CABLE, 8.00IN.
BRK05028		4	BRACKET; MOTOR MOUNT, 3.28 X 4.55, INCLUDES GROMMET
HUS04351	1	1	HOUSING; BLOWER, METAL, 8.325 INTERIOR WIDTH
WHL02916	2	1	WHEEL; BLOWER, 11 IN DIA, 8 IN WIDTH, 0.50 IN BORE, CW
NUT01063	4	1	NUT; LOCKING NYLON
MOT19584	5	1	MOTOR; CONSTANT TORQUE, PROGRAMMED, 1/2 HP, 208-230/60/1, 48 FRAME, BALL BEARING
MOT19283	7	4	MOUNT; MOTOR MOUNT BRACKET, LEG & SCREW ASM
SCR02081	8	1	SCREW; 10-24 C HXW 1/2 SN

BLOWER

75012600

RP
A



This is a typical illustration. The unit in the field may not appear exactly as shown.

Part No.	Reference No.	Quantity	Description
BND00917	*	1	BAND; BELLY BAND ASSEMBLY, INCLUDES BAND, MOTOR LEGS, MOUNTING HARDWARE
BND00932	*	1	BAND; MOTOR MOUNT, 17.62 LENGTH
HUS04351	1	1	HOUSING; BLOWER, METAL, 8.325 INTERIOR WIDTH
WHL02916	2	1	WHEEL; BLOWER, 11 IN DIA, 8 IN WIDTH, 0.50 IN BORE, CW
BND00934	3	1	BAND; BELLY BAND ASSEMBLY, INCLUDES BAND, MOTOR LEGS, MOUNTING HARDWARE
NUT01063	4	1	NUT; LOCKING NYLON
MOT20709	5	1	MOTOR; ASM
BRK05028	7	4	BRACKET; MOTOR MOUNT, 3.28 X 4.55, INCLUDES GROMMET
MOT19283	7a	4	MOUNT; MOTOR MOUNT BRACKET, LEG & SCREW ASM
SCR02081	8	1	SCREW; 10-24 C HXW 1/2 SN
TIE00023	9	1	TIE;CABLE, 8.00IN.

Part No.	Reference No.	Quantity	Description
0000045310~P	*		SUPPORT-COIL SHIELD PARTS LIST

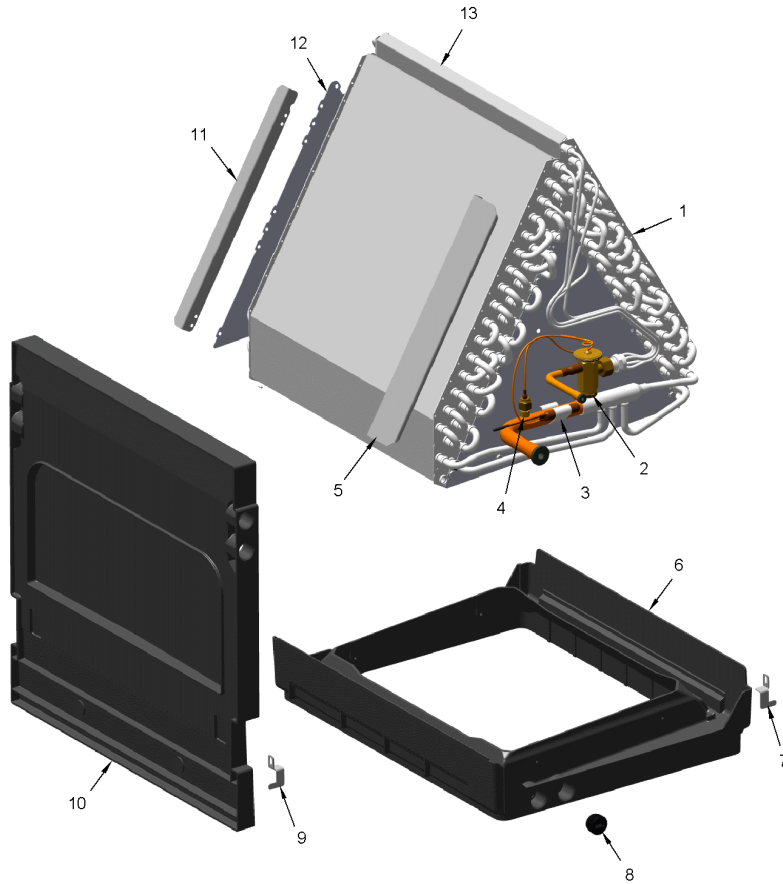
Part No.	Reference No.	Quantity	Description
SUP05662	1	1	SUPPORT; COIL SHIELD, RIGHT, 20.04 X 7.72

Part No.	Reference No.	Quantity	Description
0000026913~P	*		COIL PARTS LIST

COIL

75012598

RP
A



This is a typical illustration. The unit in the field may not appear exactly as shown.

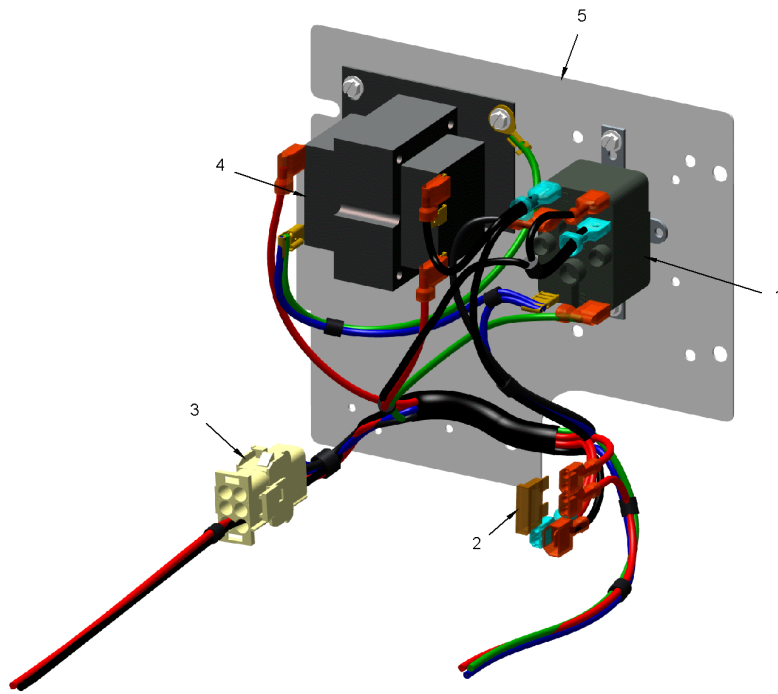
Part No.	Reference No.	Quantity	Description
CLP00182	*	1	CLIP, EXPANSION VALVE
NUT01223	*	1	NUT; HEX NUT, 7/8, 3/4-20-2B UNEF THREAD
SCR01510	*	24	SCREW; 10-16 AB HXW 1/2 SN
TIE00026	*	1	TIE; CABLE, 8-1/2IN.
PAN04390		1	PAN; UPFLOW DRAIN PAN ASM, C WIDTH
VAL20693		1	VALVE; EXPANSION
COL31103	1*	1	COIL, BLK EPOXY; ASSEMBLY, INCLUDES DRAIN PAN & TXV
COL31308	1	1	COIL;ASSEMBLY, INCLUDES DRAIN PAN & TXV
TUB14354	3	1	TUBE; LIQUID TUBE ASSEMBLY
BOD00114	4	1	BODY; VALVE, BRASS, 7/16 HEX, 7/16 -20 UNF-2A
PLU01169	8	1	PLUG; THREADED 3/4

Part No.	Reference No.	Quantity	Description
0000026950~P	*		CONTROLS PARTS LIST
0000026952~P	*		CONTROLS PARTS LIST

CONTROLS

75012597

RP
A



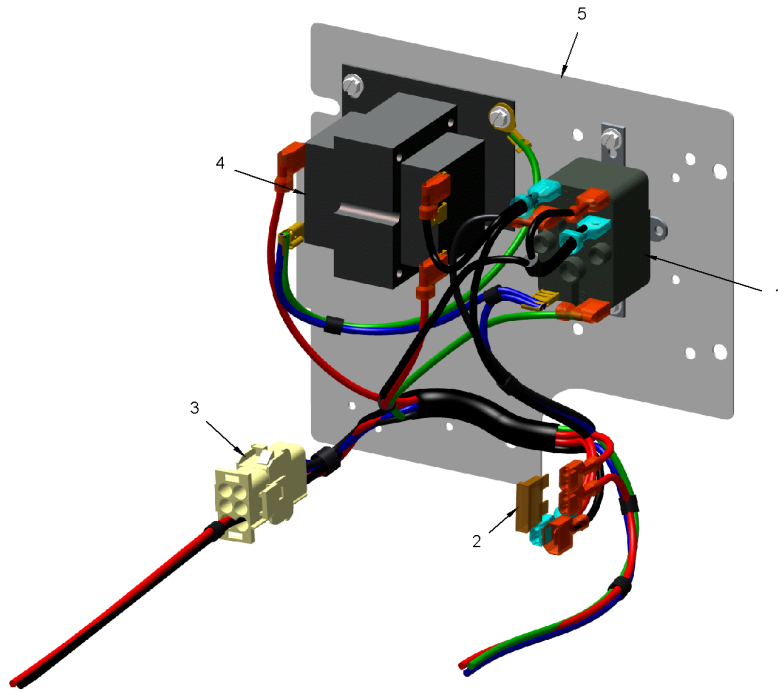
This is a typical illustration. The unit in the field may not appear exactly as shown.

Part No.	Reference No.	Quantity	Description
TIE00026	*	1	TIE; CABLE, 8-1/2IN.
FUS01089	2	1	FUSE; 5 AMP, TAN, AUTOMOTIVE STYLE
WIR09942	3	1	WIRE; HARNESS ASM-CTM
TRR01557	4	1	TRANSFORMER; 40VA, 200/230V PRI, 24V SEC
PLT05625	5	1	PLATE; CONTROL, 7.38 X 6.69

CONTROLS

75012597

RP
A



This is a typical illustration. The unit in the field may not appear exactly as shown.

Part No.	Reference No.	Quantity	Description
TIE00026	*	1	TIE; CABLE, 8-1/2IN.
FUS01089	2	1	FUSE; 5 AMP, TAN, AUTOMOTIVE STYLE
WIR09455	3	1	WIRE; HARNESS ASM-CTM
TRR01557	4	1	TRANSFORMER; 40VA, 200/230V PRI, 24V SEC
PLT05625	5	1	PLATE; CONTROL, 7.38 X 6.69

Part No.	Reference No.	Quantity	Description
0000040747~P	*		DRAIN PAN

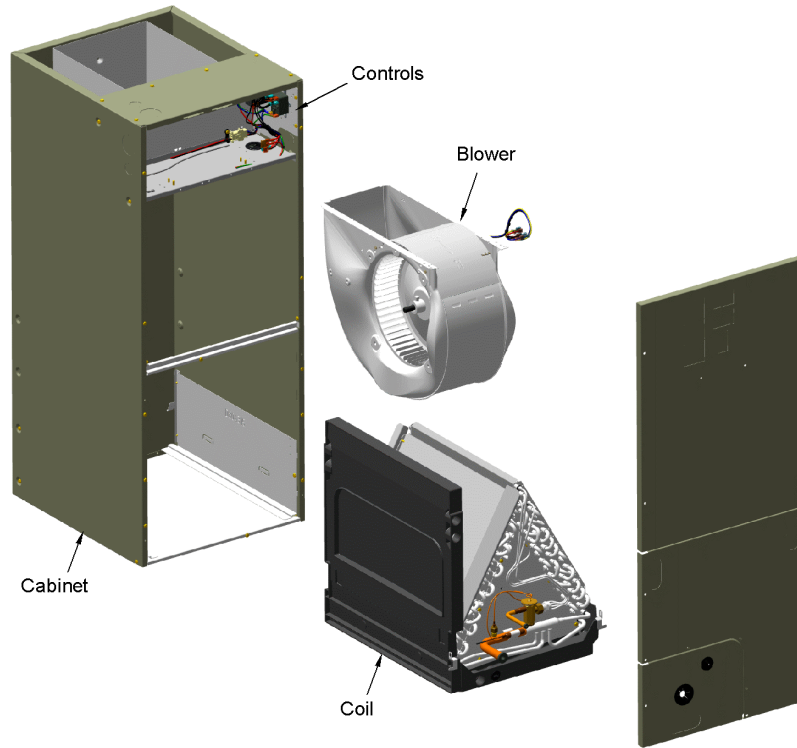
Part No.	Reference No.	Quantity	Description
BRK04471	1	1	BRACKET; DRAIN PAN CLIP
PAN04391	2	1	PAN; HORIZ DRAIN PAN, SHORT C CABINET
PLU01169	3	2	PLUG; THREADED 3/4

Part No.	Reference No.	Quantity	Description
0000027047~P	*		GENERAL ASSEMBLY GRAPHIC

SPLIT SYSTEM AIR HANDLER

75012594

RP
A



This is a typical illustration. The unit in the field may not appear exactly as shown.

Part No.	Reference No.	Quantity	Description
0000046267~P	*		MODEL NUMBER DESCRIPTION

MODEL NUMBER DESCRIPTION

75011282

REV
B

AIR HANDLER

Example Model Number:

TEM4A0B36S31SAA
1 - - - 5 - - - 10 - - - 15

Digit 1 – Brand

T = Trane

Digit 2 – Product Type

E = Air Handler

Digit 3 – Convertibility

M = Multi-poise 4-way

Digit 4 – Product Tier

3 = Entry Level Multi-Speed

4 = Entry Level Multi-Speed

6 = Entry Level Variable-Speed

8 = Entry Level COMM/24V Variable Speed

Digit 5 – Major Design Change

Digit 6 – No Descriptor

0 = Air Handler / Coil

Digit 7 – Size (Footprint) (W X D)

B = 21.0 x 21.1

C = 23.5 x 21.1

D = 26.5 x 21.1

Digits 8, 9 – Cooling Size: Air Handler or Coil

0-9 = AH Coil - 1000 BTU's (18, 24, 30, 36, 42, 48, 60)

Digits 10, 11 – Airflow Type & Capacity

S = Standard Efficiency, 1-5 nominal Tonnage (cfm/ton)

H = High Efficiency Variable Speed, 1-5 Nominal Tonnage (cfm/ton)

M = Mid Efficiency Variable Speed, 1-5 Nominal Tonnage (cfm/ton)

V = High Efficiency Variable Speed, 1-5 Nominal Tonnage (cfm/ton)

Digit 12 – Power Supply

1 = 208-230/1/60

Digit 13 – System Control Type

S = Standard - 24 VAC

D = Dual (24 VAC / CLII 13.8 VDC)

Digit 14 – Minor Design Change

Digit 15 – Unit Parts Identifier

Part No.	Reference No.	Quantity	Description
000009081~P	*		OPTIONAL ACCESSORIES LIST

Part No.	Reference No.	Quantity	Description
BAYATXV4248B	*	1	KIT; FIELD MOUNTED TXV
BAYHTR1504BRKC	*	1	4KW HEATER W/BREAKER
BAYHTR1504LUGB	*	1	4KW HEATER LUGS
BAYHTR1505BRKC	*	1	HEATER; 5KW HEATER W/BREAKER (BAYHTR1505BRKC)
BAYHTR1505LUGB	*	1	5KW HEATER LUGS
BAYHTR1508BRKC	*	1	HEATER; 8KW HEATER W/BREAKER
BAYHTR1508LUGB	*	1	8KW HEATER LUGS
BAYHTR1510BRKC	*	1	HEATER; 10KW HEATER W/BREAKER (BAYHTR1510BRKC)
BAYHTR1510LUGB	*	1	10KW HEATER LUGS
BAYHTR1517BRKA	*	1	HEATER 15KW-1PH
BAYHTR1523BRKA	*	1	HEATER 20KW-1PH
BAYHTR3510LUGC	*	1	HEATER; 10KW HEATER 3PH
BAYHTR3517LUGA	*	1	HEATER 15KW-3PH
BAYSF1235AAA	*	1	FRAME; FILTER, 1 INCH FILTER & FRAME, 23.5 INCHES
BAYSPEKT201A	*	1	KIT; SINGLE POINT POWER ENTRY (BAYSPEKT201A)
BAYTEMDFKT1A	*	1	KIT; DOWNFLOW
BAYTEMSPFG1A	*	1	DUCT FLANGE KIT
FLRSF1235	*	1	FILTER; 1 INCH MERV 4 FILTER, 22.75X19.75X.75 (1 EACH = 12 FILTERS)
KIT18054	*	1	KIT; EMI/EFI AIR HANDLER ELECTRIC NOISE KIT FOR VARIABLE SPEED BLOWER MOTOR (BAYAHEMIKIT001A)
TAYBASE235	*	1	DOWNFLOW SUB-BASE KIT
TEMBRKSEALKT01A	*	1	KIT-BREAKER SEAL