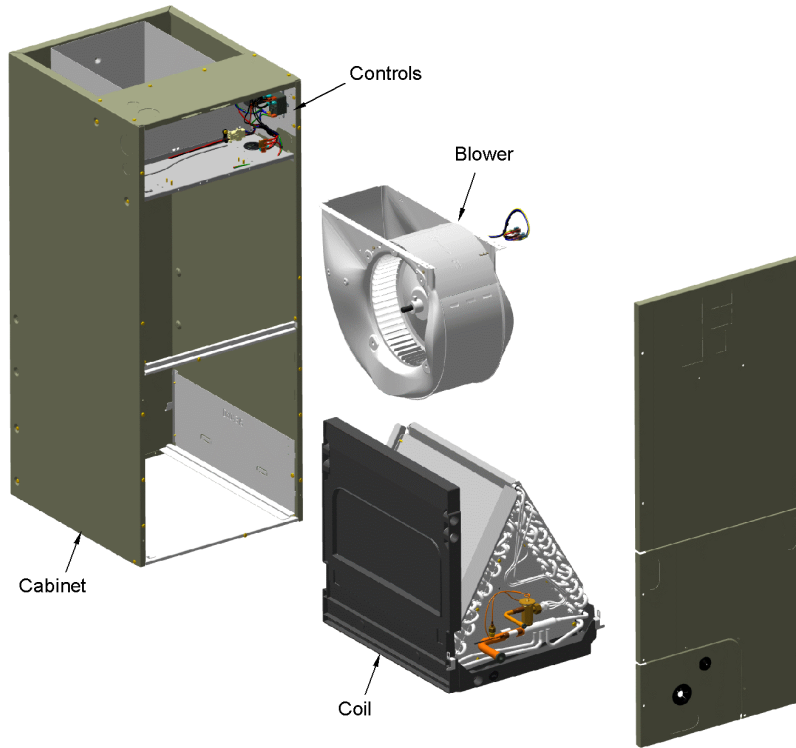


SPLIT SYSTEM AIR HANDLER

75012594

RP
A



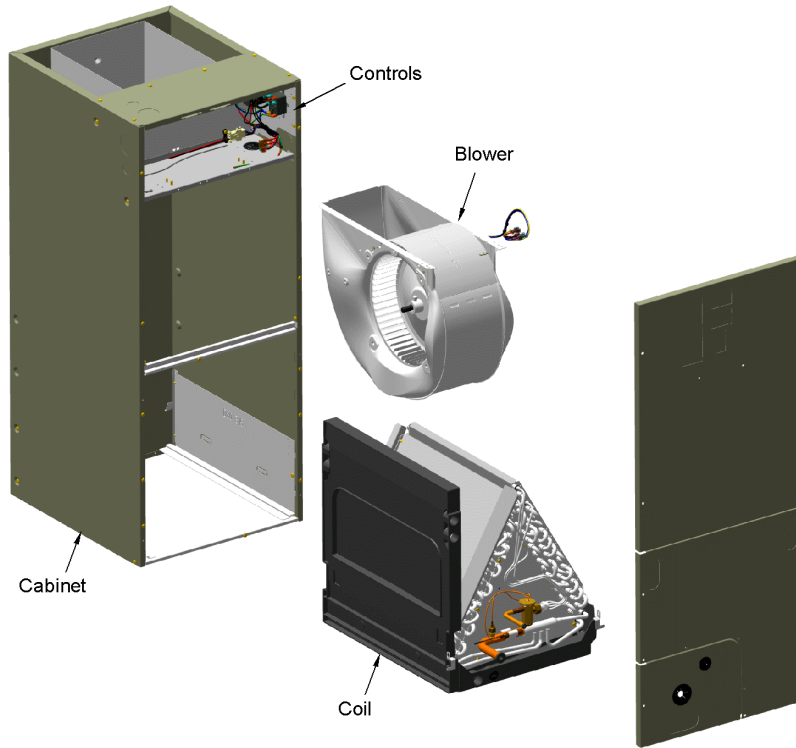
This is a typical illustration. The unit in the field may not appear exactly as shown.

Part No.	Reference No.	Quantity	Description
75012600#TEM4AUP2~S	*		BLOWER
75012596#TEM4AUP2~S	*		CABINET
75012598#TEM4AUP2~S	*		COIL
75012597#TEM4AUP2~S	*		CONTROLS
75011282#TEM4AUP2~S	*		MODEL NUMBER DESCRIPTION
OPTIONS#TEM4AUP2~S	*		OPTIONAL EQUIPMENT
75012594_TEM4AUP2_167603~P	*		SPLIT SYSTEM AIR HANDLER PARTS LIST

SPLIT SYSTEM AIR HANDLER

75012594

RP
A

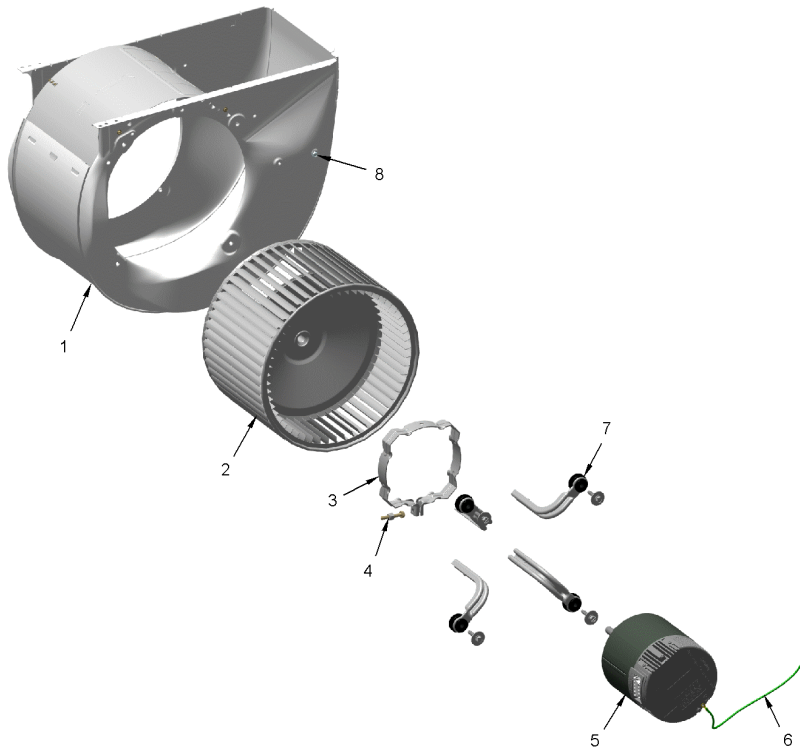


This is a typical illustration. The unit in the field may not appear exactly as shown.

BLOWER

75012600

RP
A



This is a typical illustration. The unit in the field may not appear exactly as shown.

Parts List Number :75012594#TEM4AUP2

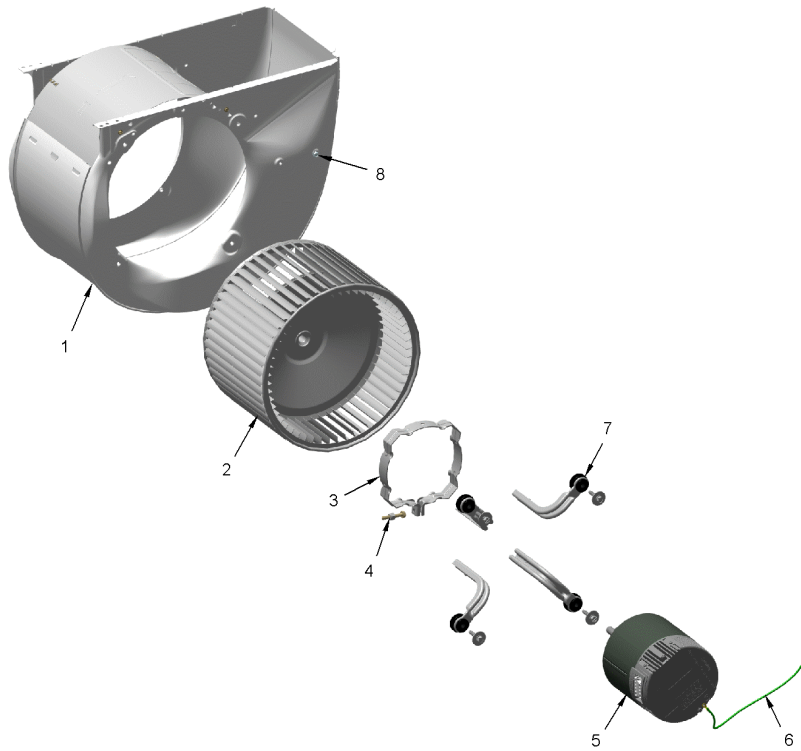
Model Number :TEM4A0C42S41SBA

Part No.	Reference No.	Quantity	Description
75012600_TEM4AUP2_248763-P	*		BLOWER PARTS LIST

BLOWER

75012600

RP
A



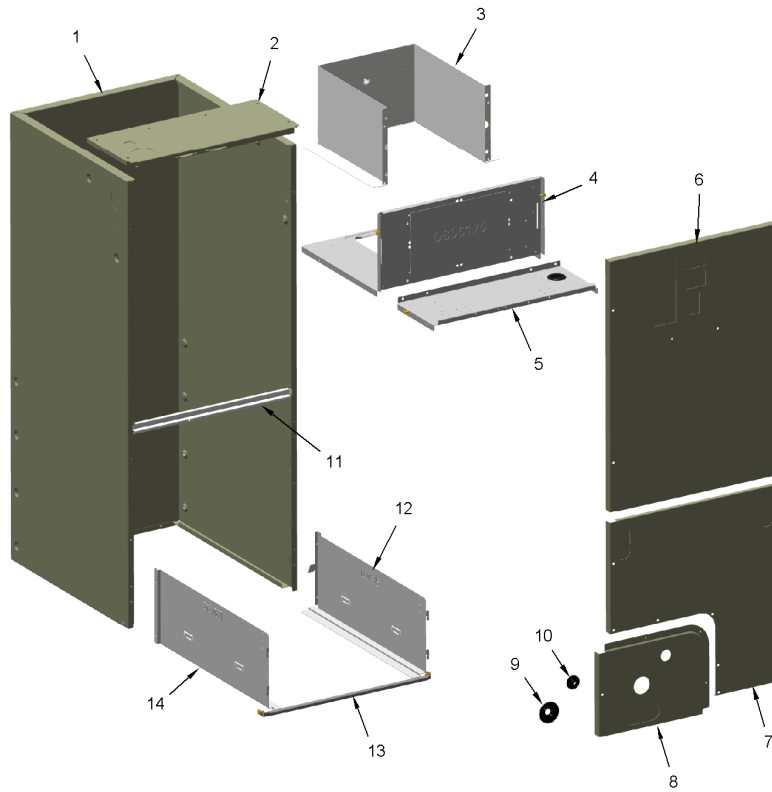
This is a typical illustration. The unit in the field may not appear exactly as shown.

Part No.	Reference No.	Quantity	Description
HUS04351	1	1	HOUSING; BLOWER, METAL, 8.325 INTERIOR WIDTH
WHL02916	2	1	WHEEL; BLOWER, 11 IN DIA, 8 IN WIDTH, 0.50 IN BORE, CW
BND00932	3	1	BAND; MOTOR MOUNT, 17.62 LENGTH
NUT01063	4a	1	NUT; LOCKING NYLON
SCR01584	4b	1	BOLT; 1/4-20 MA HX 1.5 S
MOT18636	5	1	MOTOR; CONSTANT TORQUE, PROGRAMMED, 1/2 HP, 208-230/60/1, 48 FRAME, BALL BEARING
SCR02081	6a	1	SCREW; 10-24 C HXW 1/2 SN
WIR07840	6b	1	WIRE; GROUND, 16 AWG, UL 1015, GREEN, 15 IN LENGTH, RING TERMINALS
MOT19283	7	4	MOUNT; MOTOR MOUNT BRACKET, LEG & SCREW ASM

CABINET

75012596

RP
A



This is a typical illustration. The unit in the field may not appear exactly as shown.

Parts List Number :75012594#TEM4AUP2

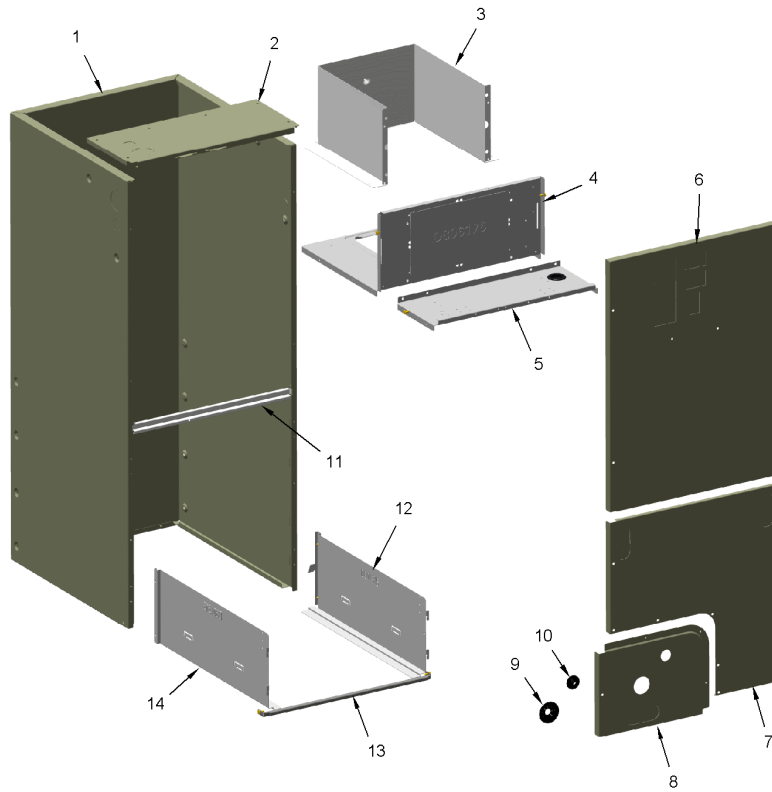
Model Number :TEM4A0C42S41SBA

Part No.	Reference No.	Quantity	Description
75012596_TEM4AUP2_196069-P	*		CABINET PARTS LIST

CABINET

75012596

RP
A



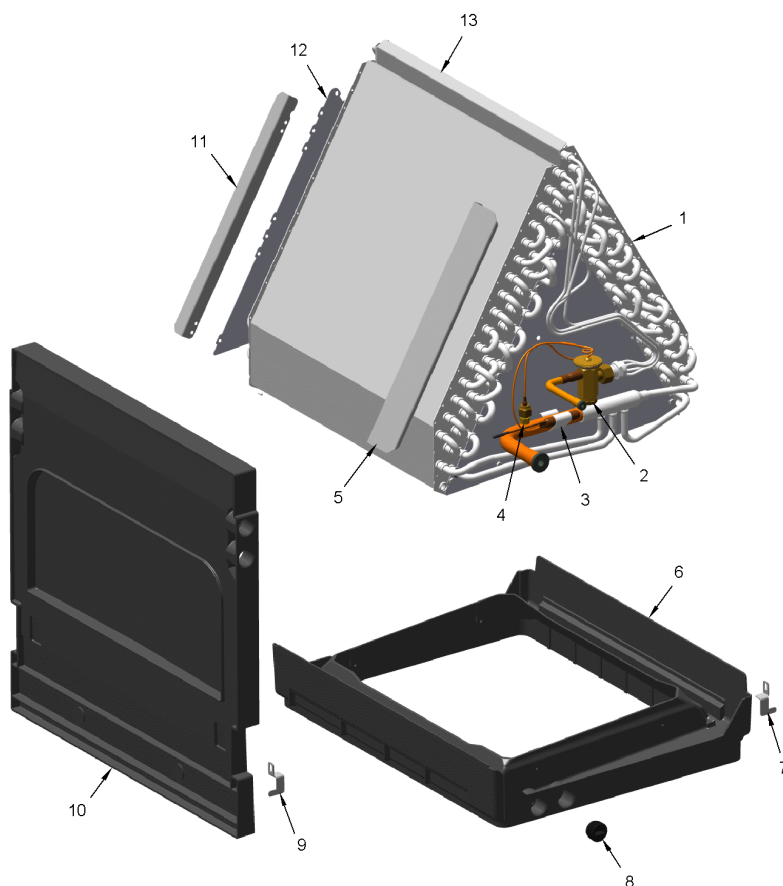
This is a typical illustration. The unit in the field may not appear exactly as shown.

Part No.	Reference No.	Quantity	Description
PAI00074	*	1	PAINT; SPRAY, SLATE GREY, FULL GLOSS(88) (SHIPPING UOM 12 OZ HAZ)
PLT03593	*	1	PLATE; APPEARANCE NAMEPLATE, AMERICAN STANDARD, 6.50 X 1.11
PLT03689	*	1	PLATE; NAMEPLATE TRANE, 6.00 X 1.46 (MOLDED OVAL PLATE)
CBT01787	1	1	CABINET; WRAPPER
PNL29551	2	1	PANEL; TOP COVER, 23.63 X 7.85
PNL29549	6	1	PANEL; BLOWER, 25.29 X 23.63
PNL29545	7	1	PANEL; COIL, 23.63 X 26.12
PNL29547	8	1	PANEL; LINESET, 12.14 X 9.24
GRM00863	9	1	GROMMET; SUCTION GROMMET
GRM00864	10	1	GROMMET; CONE GROMMET, LIQUID LINE
SUP05666	11	1	SUPPORT; CROSSMEMBER, MIDDLE, 22.39 L
SUP05662	12	1	SUPPORT; COIL SHIELD, RIGHT, 20.04 X 7.72
SUP05664	13	1	SUPPORT; CROSSMEMBER, BOTTOM, 23.37 L
SUP05661	14	1	SUPPORT; COIL SHIELD, LEFT, 20.04 X 7.72

COIL

75012598

RP
A



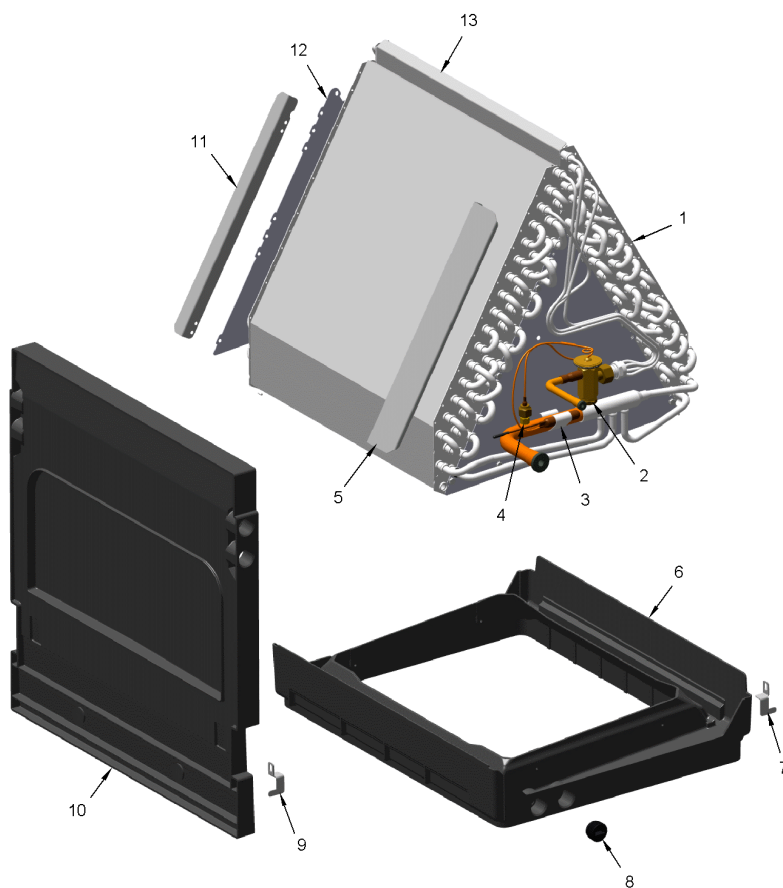
This is a typical illustration. The unit in the field may not appear exactly as shown.

Part No.	Reference No.	Quantity	Description
75012598_TEM4AUP2_196070-P	*		COIL PARTS LIST

COIL

75012598

RP
A



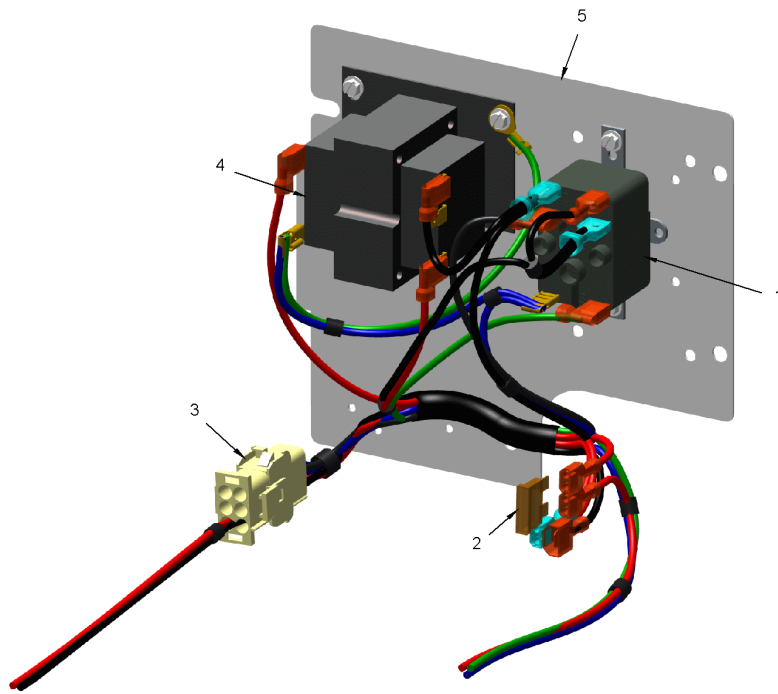
This is a typical illustration. The unit in the field may not appear exactly as shown.

Part No.	Reference No.	Quantity	Description
VAL20680		1	VALVE; TXV CHATLEFF EXPANSION VALVE, HXCE-6-ZX200 CHTXCHTX1B
COL31305	1	1	COIL; ASSEMBLY, INCLUDES DRAIN PAN & TXV
COL31100	1A	1	COIL, BLK EPOXY; ASSEMBLY, INCLUDES DRAIN PAN & TXV
VAL11539	2	1	VALVE; TEV HXCE 6 KX200 R410A B15
WAS01180	2a	1	WASHER; TEFLON, 0.46 ID X 0.56 OD X 0.056 THK
CLP00182	3	1	CLIP, EXPANSION VALVE
BOD00114	4	1	BODY; VALVE, BRASS, 7/16 HEX, 7/16 -20 UNF-2A
DIV00330	5	1	DIVERTER, COIL
PAN03385	6	1	PAN; DRAIN, UPFLOW, 21.50 X 20.07
PLU01169	7	2	PLUG; THREADED 3/4
BRK04501	7a	1	BRACKET; COIL, 1.73 X 1.00 X 0.46, RIGHT SIDE
BRK04500	9	1	BRACKET; COIL, 1.73 X 1.00 X 0.46, LEFT SIDE
PAN03387	10	1	PAN; DRAIN, HORIZONTAL, 26.92 X 20.38
DIV00334	11	1	DIVERTER; COIL, REAR, 1.04 X 0.77 X 18.75
BAF01413	12	2	BAFFLE; COIL
DIV00332	13	1	DIVERTER; COIL, 16.38 X 1.20 X 0.57

CONTROLS

75012597

RP
A



This is a typical illustration. The unit in the field may not appear exactly as shown.

Parts List Number :75012594#TEM4AUP2

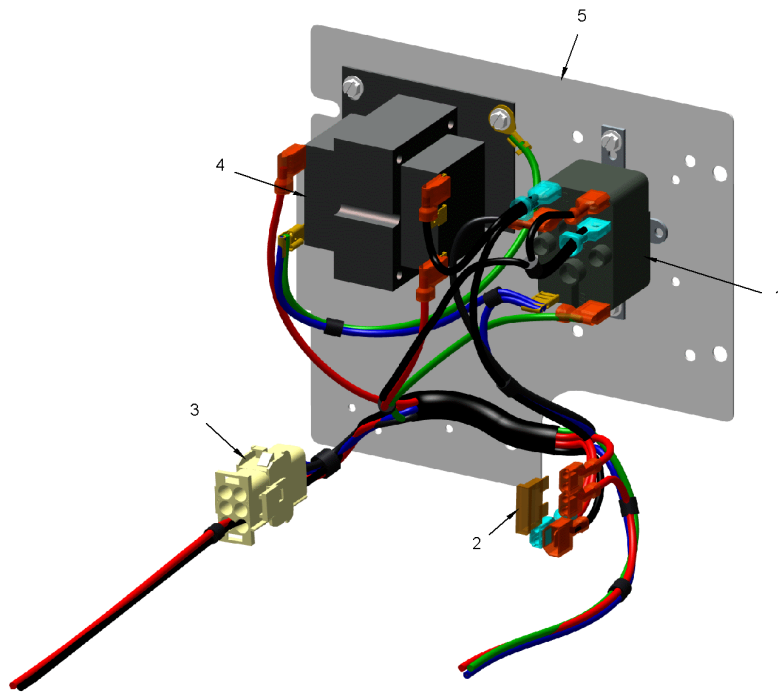
Model Number :TEM4A0C42S41SBA

Part No.	Reference No.	Quantity	Description
75012597_TEM4AUP2_248762-P	*		CONTROLS PARTS LIST

CONTROLS

75012597

RP
A



This is a typical illustration. The unit in the field may not appear exactly as shown.

CONTROLS PARTS LIST

Parts List Number :75012594#TEM4AUP2

Model Number :TEM4A0C42S41SBA

Part No.	Reference No.	Quantity	Description
RLY01951	1	1	RELAY; SPDT, NO-NC, 24CV, REVERSING
FUS01089	2	1	FUSE; 5 AMP, TAN, AUTOMOTIVE STYLE
WIR09455	3	1	WIRE; HARNESS ASM-CTM
TRR01557	4	1	TRANSFORMER; 40VA, 200/230V PRI, 24V SEC
PLT05625	5	1	PLATE; CONTROL, 7.38 X 6.69

OPTIONAL EQUIPMENT

Parts List Number :75012594#TEM4AUP2

Model Number :TEM4A0C42S41SBA

Part No.	Reference No.	Quantity	Description
OPTIONS_TEM4AUP2_248764-P	*		OPTIONAL EQUIPMENT PARTS LIST

Part No.	Reference No.	Quantity	Description
BAYHTR1504LUGB	*	1	4KW HEATER LUGS
BAYHTR1505LUGB	*	1	5KW HEATER LUGS
BAYHTR1508LUGB	*	1	8KW HEATER LUGS
BAYHTR1510LUGB	*	1	10KW HEATER LUGS
BAYHTR1517BRKA	*	1	HEATER 15KW-1PH
BAYHTR1523BRKA	*	1	HEATER 20KW-1PH
BAYHTR3517LUGA	*	1	HEATER 15KW-3PH
BAYSF1235AAA	*	1	FRAME; FILTER, 1 INCH FILTER & FRAME, 23.5 INCHES
BAYSPEKT201A	*	1	KIT; SINGLE POINT POWER ENTRY (BAYSPEKT201A)
BAYTEMDFKT1A	*	1	KIT; DOWNFLOW
BAYTEMSPFG1A	*	1	DUCT FLANGE KIT
FLRSF1235	*	1	FILTER; 1 INCH MERV 4 FILTER, 22.75X19.75X.75 (1 EACH = 12 FILTERS)
KIT18054	*	1	KIT; EMI/EFI AIR HANDLER ELECTRIC NOISE KIT FOR VARIABLE SPEED BLOWER MOTOR (BAYAHEMIKIT001A)
TAYBASE185	*	1	KIT; DOWNFLOW SUB-BASE KIT, 18.5 CABINET
TAYBASE235	*	1	DOWNFLOW SUB-BASE KIT
TEMBRKSEALKT01A	*	1	KIT-BREAKER SEAL

MODEL NUMBER DESCRIPTION

75011282

REV.
A

AIR HANDLER

Example Model Number:

TEM4A0B36S31SAA
1 - - - 5 - - - 10 - - - 15

Digit 1 – Brand

T = Trane

Digit 2 – Product Type

E = Air Handler

Digit 3 – Convertibility

M = Multi-poise 4-way

Digit 4 – Product Tier

3 = Entry Level Multi-Speed
4 = Entry Level Multi-Speed
6 = Entry Level Variable-Speed
8 = Entry Level COMM/24V Variable Speed

Digit 5 – Major Design Change

Digit 6 – No Descriptor

0 = Air Handler / Coil

Digit 7 – Size (Footprint) (W X D)

B = 21.0 x 21.1
C = 23.5 x 21.1
D = 26.5 x 21.1

Digits 8, 9 – Cooling Size: Air Handler or Coil

0-9 = AH Coil - 1000 BTU's (18, 24, 30, 36, 42, 48, 60)

Digits 10, 11 – Airflow Type & Capacity

S = Standard Efficiency, 1-5 nominal Tonnage (cfm/ton)
H = High Efficiency Variable Speed, 1-5 Nominal Tonnage (cfm/ton)
V = High Efficiency Variable Speed, 1-5 Nominal Tonnage (cfm/ton)

Digit 12 – Power Supply

1 = 208-230/1/60

Digit 13 – System Control Type

S = Standard - 24 VAC
D = Dual (24 VAC / CLII 13.8 VDC)

Digit 14 – Minor Design Change

Digit 15 – Unit Parts Identifier

Part No.	Reference No.	Quantity	Description
75011282_TEM4AUP2_167604-P	*		MODEL NUMBER DESCRIPTION PARTS LIST

MODEL NUMBER DESCRIPTION

75011282

REV
B

AIR HANDLER

Example Model Number:

TEM4A0B36S31SAA
1 - - - 5 - - - 10 - - - 15

Digit 1 – Brand

T = Trane

Digit 2 – Product Type

E = Air Handler

Digit 3 – Convertibility

M = Multi-poise 4-way

Digit 4 – Product Tier

3 = Entry Level Multi-Speed

4 = Entry Level Multi-Speed

6 = Entry Level Variable-Speed

8 = Entry Level COMM/24V Variable Speed

Digit 5 – Major Design Change

Digit 6 – No Descriptor

0 = Air Handler / Coil

Digit 7 – Size (Footprint) (W X D)

B = 21.0 x 21.1

C = 23.5 x 21.1

D = 26.5 x 21.1

Digits 8, 9 – Cooling Size: Air Handler or Coil

0-9 = AH Coil - 1000 BTU's (18, 24, 30, 36, 42, 48, 60)

Digits 10, 11 – Airflow Type & Capacity

S = Standard Efficiency, 1-5 nominal Tonnage (cfm/ton)

H = High Efficiency Variable Speed, 1-5 Nominal Tonnage (cfm/ton)

M = Mid Efficiency Variable Speed, 1-5 Nominal Tonnage (cfm/ton)

V = High Efficiency Variable Speed, 1-5 Nominal Tonnage (cfm/ton)

Digit 12 – Power Supply

1 = 208-230/1/60

Digit 13 – System Control Type

S = Standard - 24 VAC

D = Dual (24 VAC / CLII 13.8 VDC)

Digit 14 – Minor Design Change

Digit 15 – Unit Parts Identifier

