

Parts List Number :0000098727

Model Number :TEM4A0B31M31SAA

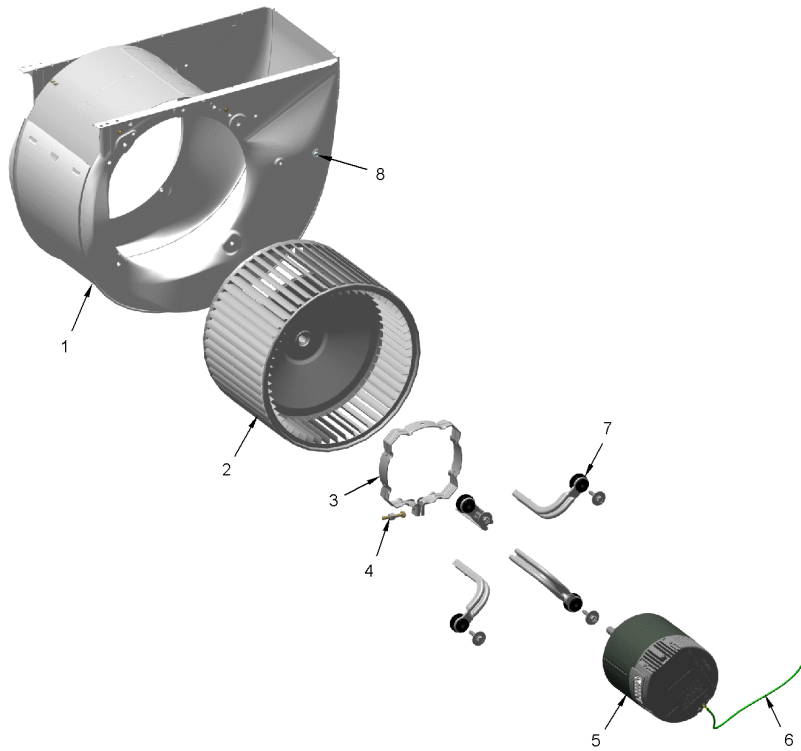
Part No.	Reference No.	Quantity	Description
0000098730~S	*		BLOWER
0000098731~S	*		CABINET
0000098733~S	*		COIL
0000098732~S	*		CONTROLS
0000098729~S	*		GENERAL ASSEMBLY
0000098735~S	*		MODEL NUMBER DESCRIPTION
0000098734~S	*		OPTIONAL ACCESSORIES

Part No.	Reference No.	Quantity	Description
000009058~P	*		BLOWER PARTS LIST

BLOWER

75012600

RP
A



This is a typical illustration. The unit in the field may not appear exactly as shown.

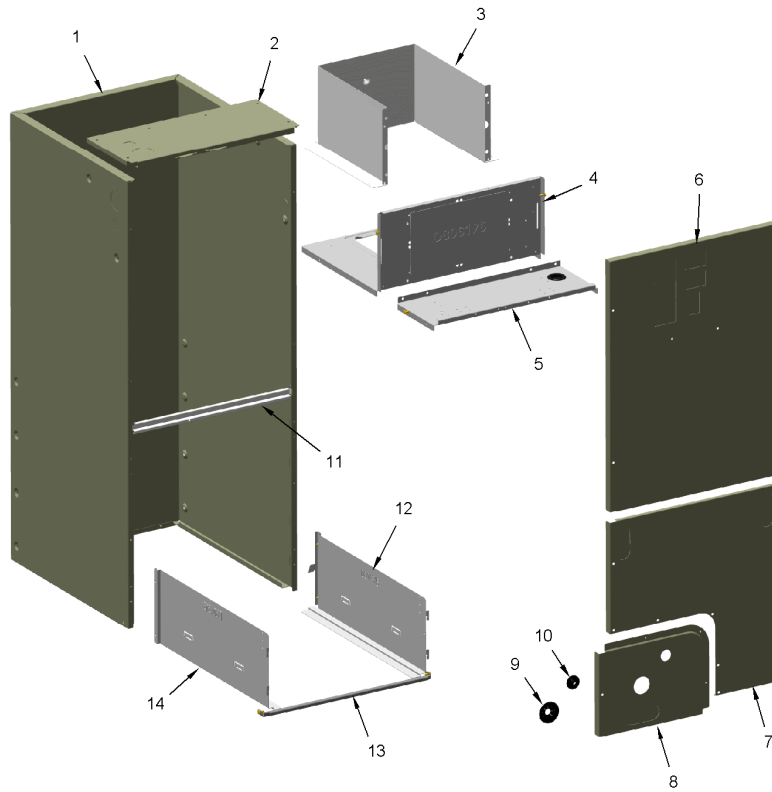
Part No.	Reference No.	Quantity	Description
HUS04351	1	1	HOUSING; BLOWER, METAL, 8.325 INTERIOR WIDTH
WHL02916	2	1	WHEEL; BLOWER, 11 IN DIA, 8 IN WIDTH, 0.50 IN BORE, CW
BND00932	3	1	BAND; MOTOR MOUNT, 17.62 LENGTH
NUT01063	4	1	NUT; LOCKING NYLON
MOT19583	5	1	MOTOR; CONSTANT TORQUE, PROGRAMMED, 1/3 HP, 208-230/60/1, 48 FRAME, BALL BEARING
WIR07840	6a	1	WIRE; GROUND, 16 AWG, UL 1015, GREEN, 15 IN LENGTH, RING TERMINALS
SCR02081	6b	1	SCREW; 10-24 C HXW 1/2 SN
MOT19283	7	4	MOUNT; MOTOR MOUNT BRACKET, LEG & SCREW ASM

Part No.	Reference No.	Quantity	Description
000009061~P	*		CABINET PARTS LIST

CABINET

75012596

RP
A



This is a typical illustration. The unit in the field may not appear exactly as shown.

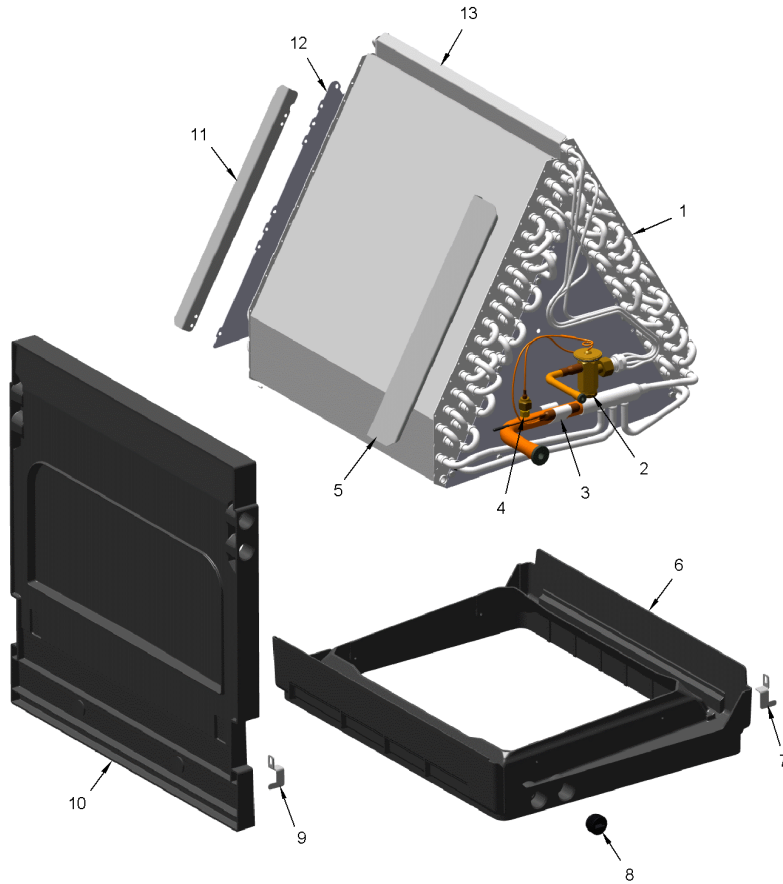
Part No.	Reference No.	Quantity	Description
PAI00074	*	1	PAINT; SPRAY, SLATE GREY, FULL GLOSS(88) (SHIPPING UOM 12 OZ HAZ)
PLT03593	*	1	PLATE; APPEARANCE NAMEPLATE, AMERICAN STANDARD, 6.50 X 1.11
PLT03689	*	1	PLATE; NAMEPLATE TRANE, 6.00 X 1.46 (MOLDED OVAL PLATE)
PNL32077	1	1	PANEL; WRAPPER, 21.00 X 18.50 X 53.87
PNL29550	2	1	PANEL; TOP COVER, 18.63 X 7.85
SUP06388	4	1	SUPPORT; BLOWER SHELF, 13.57 X 17.95 X 7.94
PNL29548	6	1	PANEL; BLOWER, 25.29 X 18.63
PNL32071	7	1	PANEL; COIL, 18.63 X 21.61
PNL29546	8	1	PANEL; LINESET, 12.14 X 9.24
GRM00863	9	1	GROMMET; SUCTION GROMMET
GRM00864	10	1	GROMMET; CONE GROMMET, LIQUID LINE
SUP05665	11	1	SUPPORT; CROSSMEMBER, MIDDLE, 17.39 L
SUP05662	12	1	SUPPORT; COIL SHIELD, RIGHT, 20.04 X 7.72
SUP05663	13	1	SUPPORT; CROSSMEMBER, BOTTOM, 18.37 L
SUP05661	14	1	SUPPORT; COIL SHIELD, LEFT, 20.04 X 7.72

Part No.	Reference No.	Quantity	Description
000009096~P	*		COIL PARTS LIST

COIL

75012598

RP
A



This is a typical illustration. The unit in the field may not appear exactly as shown.

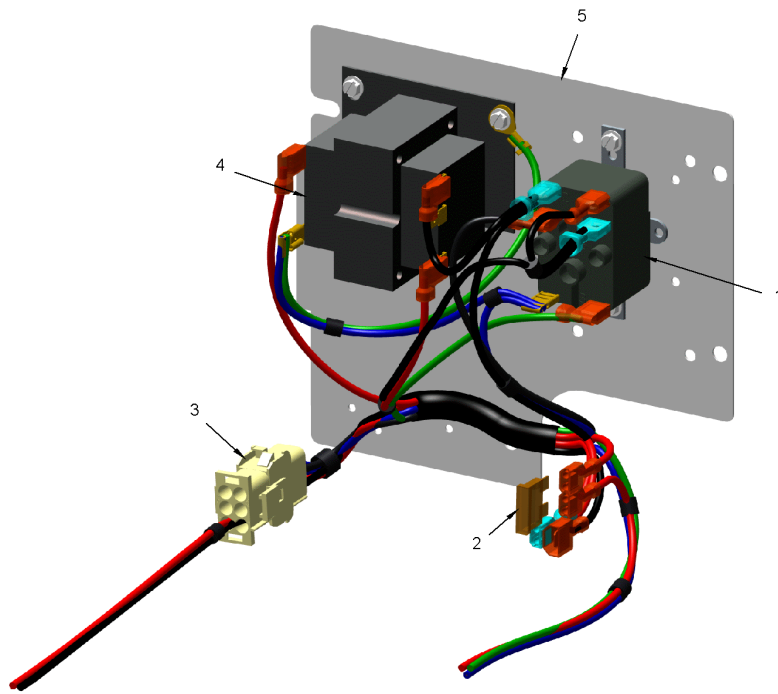
Part No.	Reference No.	Quantity	Description
COL31101	1	1	COIL, BLK EPOXY; ASSEMBLY, INCLUDES DRAIN PAN & TXV
COL31306	1A	1	COIL; ASSEMBLY, INCLUDES DRAIN PAN & TXV
VAL11798	2a	1	VALVE; TEV HXCE 3 KX200 B15 R410A
WAS01180	2b	1	WASHER; TEFLON, 0.46 ID X 0.56 OD X 0.056 THK
CLP00200	3	1	CLIP; BULB
BOD00114	4	1	BODY; VALVE, BRASS, 7/16 HEX, 7/16 -20 UNF-2A
DIV00331	5	1	DIVERTER, COIL
PAN03384	6	1	PAN; DRAIN, UPFLOW, 16.50 X 20.07
BRK04501	7	1	BRACKET; COIL, 1.73 X 1.00 X 0.46, RIGHT SIDE
PLU01169	8	1	PLUG; THREADED 3/4
BRK04500	9	1	BRACKET; COIL, 1.73 X 1.00 X 0.46, LEFT SIDE
PAN03870	10a	1	PAN; DRAIN, HORIZONTAL, 22.42 X 20.38
PLU01169	10b	2	PLUG; THREADED 3/4
BRK04471	10c	1	BRACKET; DRAIN PAN CLIP
DIV00333	11	1	DIVERTER; COIL, REAR, 1.04 X 0.77 X 13.75
BAF01413	12	2	BAFFLE; COIL
DIV00332	13	1	DIVERTER; COIL, 16.38 X 1.20 X 0.57

Part No.	Reference No.	Quantity	Description
000009017~P	*		CONTROLS PARTS LIST

CONTROLS

75012597

RP
A



This is a typical illustration. The unit in the field may not appear exactly as shown.

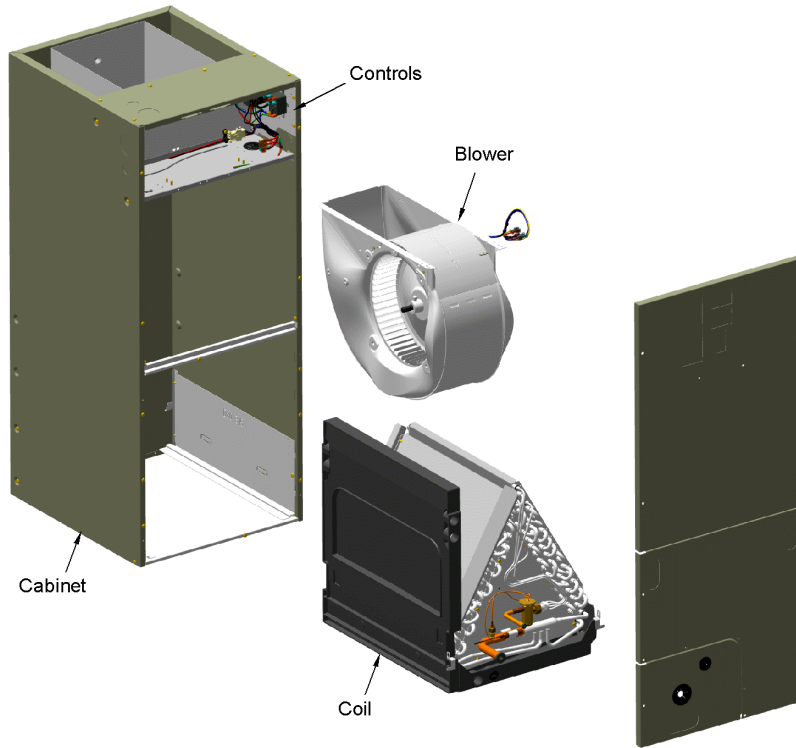
Part No.	Reference No.	Quantity	Description
FUS01089	2	1	FUSE; 5 AMP, TAN, AUTOMOTIVE STYLE
WIR09455	3	1	WIRE; HARNESS ASM-CTM
TRR01557	4	1	TRANSFORMER; 40VA, 200/230V PRI, 24V SEC
PLT05625	5	1	PLATE; CONTROL, 7.38 X 6.69

Part No.	Reference No.	Quantity	Description
000009036~P	*		GENERAL ASSEMBLY GRAPHIC

SPLIT SYSTEM AIR HANDLER

75012594

RP
A



This is a typical illustration. The unit in the field may not appear exactly as shown.

Part No.	Reference No.	Quantity	Description
000009016~P	*		MODEL NUMBER GRAPHIC

MODEL NUMBER DESCRIPTION

75011282

REV
B

AIR HANDLER

Example Model Number:

TEM4A0B36S31SAA
1 - - - 5 - - - 10 - - - 15

Digit 1 – Brand

T = Trane

Digit 2 – Product Type

E = Air Handler

Digit 3 – Convertibility

M = Multi-poise 4-way

Digit 4 – Product Tier

3 = Entry Level Multi-Speed

4 = Entry Level Multi-Speed

6 = Entry Level Variable-Speed

8 = Entry Level COMM/24V Variable Speed

Digit 5 – Major Design Change

Digit 6 – No Descriptor

0 = Air Handler / Coil

Digit 7 – Size (Footprint) (W X D)

B = 21.0 x 21.1

C = 23.5 x 21.1

D = 26.5 x 21.1

Digits 8, 9 – Cooling Size: Air Handler or Coil

0-9 = AH Coil - 1000 BTU's (18, 24, 30, 36, 42, 48, 60)

Digits 10, 11 – Airflow Type & Capacity

S = Standard Efficiency, 1-5 nominal Tonnage (cfm/ton)

H = High Efficiency Variable Speed, 1-5 Nominal Tonnage (cfm/ton)

M = Mid Efficiency Variable Speed, 1-5 Nominal Tonnage (cfm/ton)

V = High Efficiency Variable Speed, 1-5 Nominal Tonnage (cfm/ton)

Digit 12 – Power Supply

1 = 208-230/1/60

Digit 13 – System Control Type

S = Standard - 24 VAC

D = Dual (24 VAC / CLII 13.8 VDC)

Digit 14 – Minor Design Change

Digit 15 – Unit Parts Identifier

Part No.	Reference No.	Quantity	Description
000009080~P	*		OPTIONAL ACCESSORIES LIST

Part No.	Reference No.	Quantity	Description
BAYATXV1836B	*	1	KIT; FIELD MOUNTED TXV
BAYHTR1504BRKC	*	1	4KW HEATER W/BREAKER
BAYHTR1504LUGB	*	1	4KW HEATER LUGS
BAYHTR1505BRKC	*	1	HEATER; 5KW HEATER W/BREAKER (BAYHTR1505BRKC)
BAYHTR1505LUGB	*	1	5KW HEATER LUGS
BAYHTR1508BRKC	*	1	HEATER; 8KW HEATER W/BREAKER
BAYHTR1508LUGB	*	1	8KW HEATER LUGS
BAYHTR1510BRKC	*	1	HEATER; 10KW HEATER W/BREAKER (BAYHTR1510BRKC)
BAYHTR1510LUGB	*	1	10KW HEATER LUGS
BAYHTR1517BRKA	*	1	HEATER 15KW-1PH
BAYHTR3510LUGC	*	1	HEATER; 10KW HEATER 3PH
BAYHTR3517LUGA	*	1	HEATER 15KW-3PH
BAYSF1185AAA	*	1	1" FILTER & FRAME, 18.5"
BAYSPEKT201A	*	1	KIT; SINGLE POINT POWER ENTRY (BAYSPEKT201A)
BAYTEMDFKT1A	*	1	KIT; DOWNFLOW
BAYTEMSPFG1A	*	1	DUCT FLANGE KIT
FLRSF1185	*	1	FILTER; 1 INCH MERV 4 FILTER, 17.75X19.75X.75 (1 EACH = 12 FILTERS)
KIT18054	*	1	KIT; EMI/EFI AIR HANDLER ELECTRIC NOISE KIT FOR VARIABLE SPEED BLOWER MOTOR (BAYAHEMIKIT001A)
TAYBASE185	*	1	KIT; DOWNFLOW SUB-BASE KIT, 18.5 CABINET
TEMBRKSEALKT01A	*	1	KIT-BREAKER SEAL