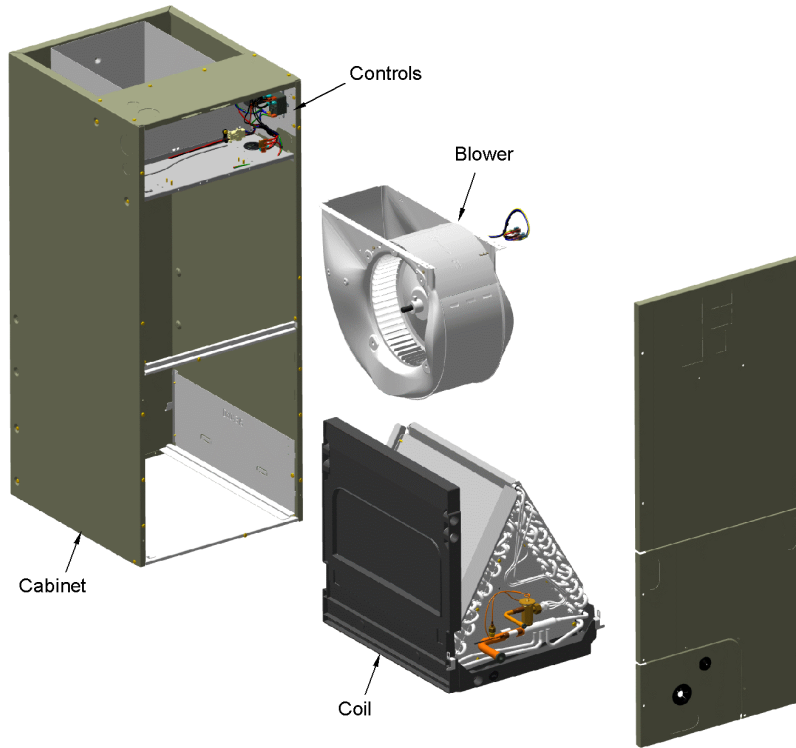


SPLIT SYSTEM AIR HANDLER

75012594

RP
A



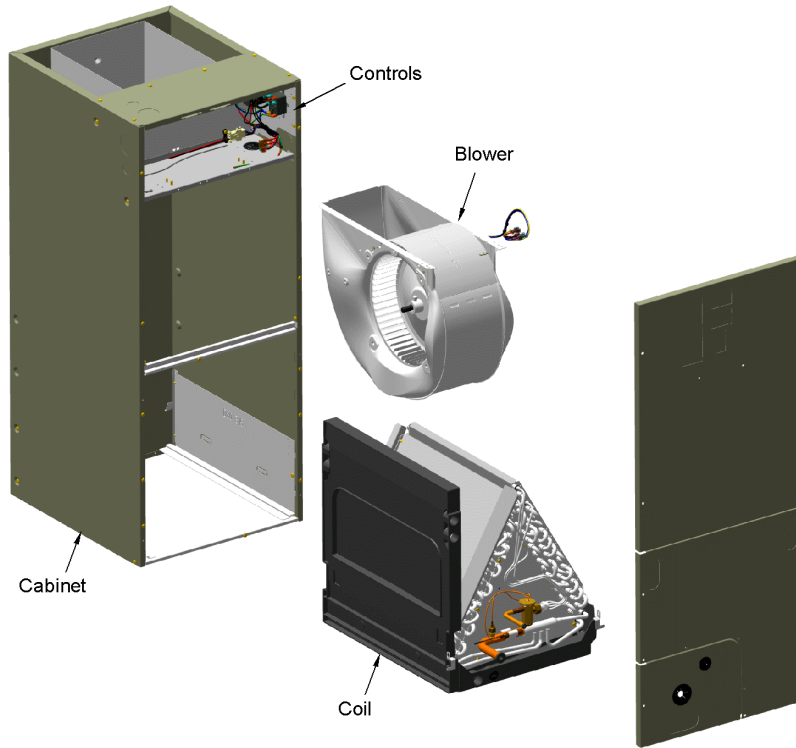
This is a typical illustration. The unit in the field may not appear exactly as shown.

Part No.	Reference No.	Quantity	Description
75012595#TEM4AUP2~S	*		BLOWER
75012596#TEM4AUP2~S	*		CABINET
75012598#TEM4AUP2~S	*		COIL
75012597#TEM4AUP2~S	*		CONTROLS
75011282#TEM4AUP2~S	*		MODEL NUMBER DESCRIPTION
OPTIONS#TEM4AUP2~S	*		OPTIONAL EQUIPMENT
75012594_TEM4AUP2_167603~P	*		SPLIT SYSTEM AIR HANDLER PARTS LIST

SPLIT SYSTEM AIR HANDLER

75012594

RP
A

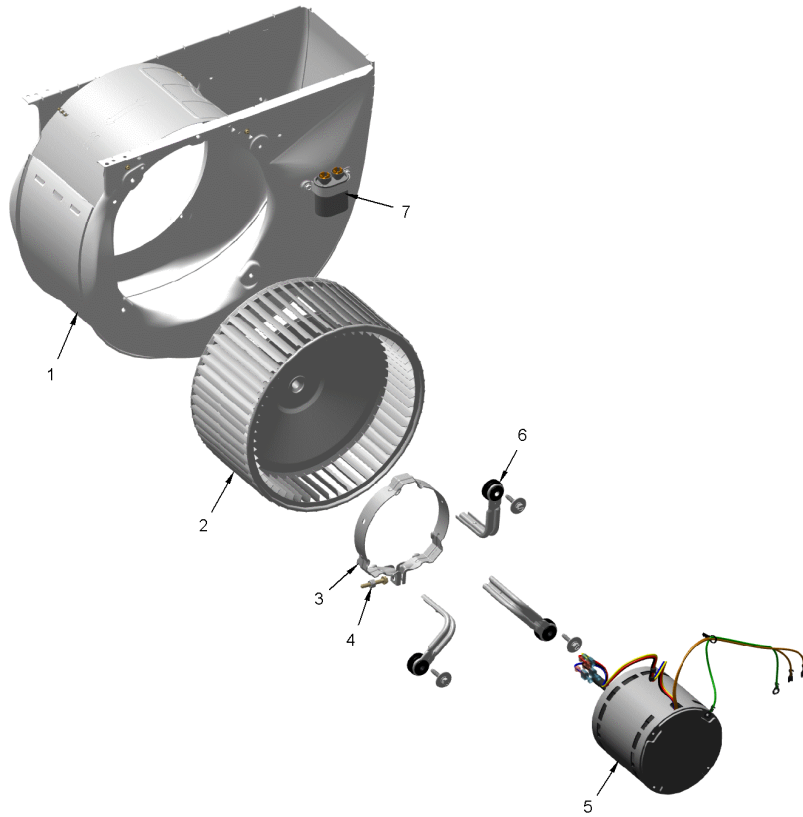


This is a typical illustration. The unit in the field may not appear exactly as shown.

BLOWER

75012595

RP
A



This is a typical illustration. The unit in the field may not appear exactly as shown.

Parts List Number :75012594#TEM4AUP2

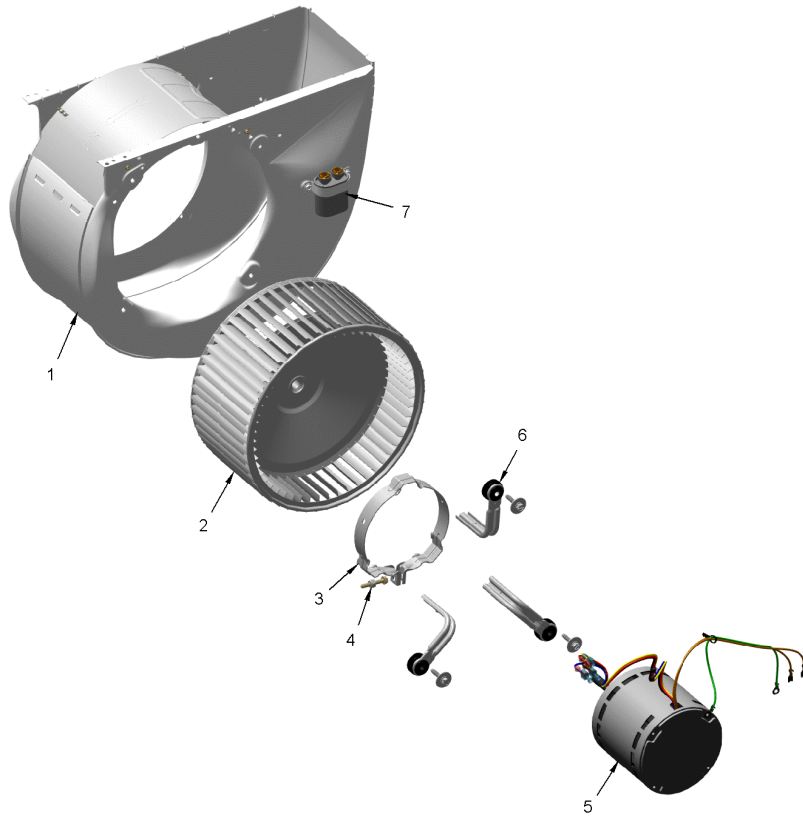
Model Number :TEM4A0B24S21SBA

Part No.	Reference No.	Quantity	Description
75012595_TEM4AUP2_304968-P	*		BLOWER PARTS LIST

BLOWER

75012595

RP
A



This is a typical illustration. The unit in the field may not appear exactly as shown.

BLOWER PARTS LIST

Parts List Number :75012594#TEM4AUP2

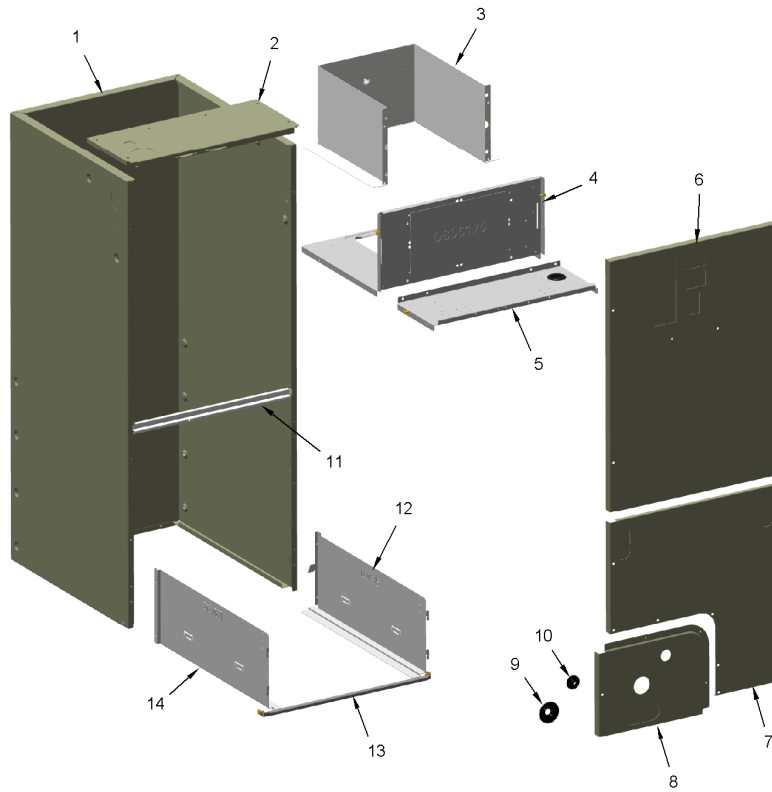
Model Number :TEM4A0B24S21SBA

Part No.	Reference No.	Quantity	Description
HUS04350	1	1	HOUSING; BLOWER, METAL, 6.325 INTERIOR WIDTH
WHL03717	2	1	WHEEL; BLOWER, 12.15 IN DIA, 6.06 IN WIDTH, 0.50 IN BORE, 54 BLADES, CW
BND00910	3	1	BAND; MOTOR MOUNT
NUT01063	4	1	NUT; LOCKING NYLON
SCR01584	4	1	BOLT; 1/4-20 MA HX 1.5 S
MOT18582	5	1	MOTOR; 1/5 HP, 208-230/60/1, 825 RPM, TYPE PSC, NEMA 48 FRAME, BALL BEARING, 5 MFD CPT AT 440V
BRK05027	6	3	BRACKET; MOTOR MOUNT, 3.28 X 3.25, INCLUDES GROMMET
CPT00119	7	1	CAPACITOR; RUN, 5 MFD, 440V, OVAL, W/O RESISTOR
SRP00091	7	1	STRAP, CAPACITOR

CABINET

75012596

RP
A



This is a typical illustration. The unit in the field may not appear exactly as shown.

Parts List Number :75012594#TEM4AUP2

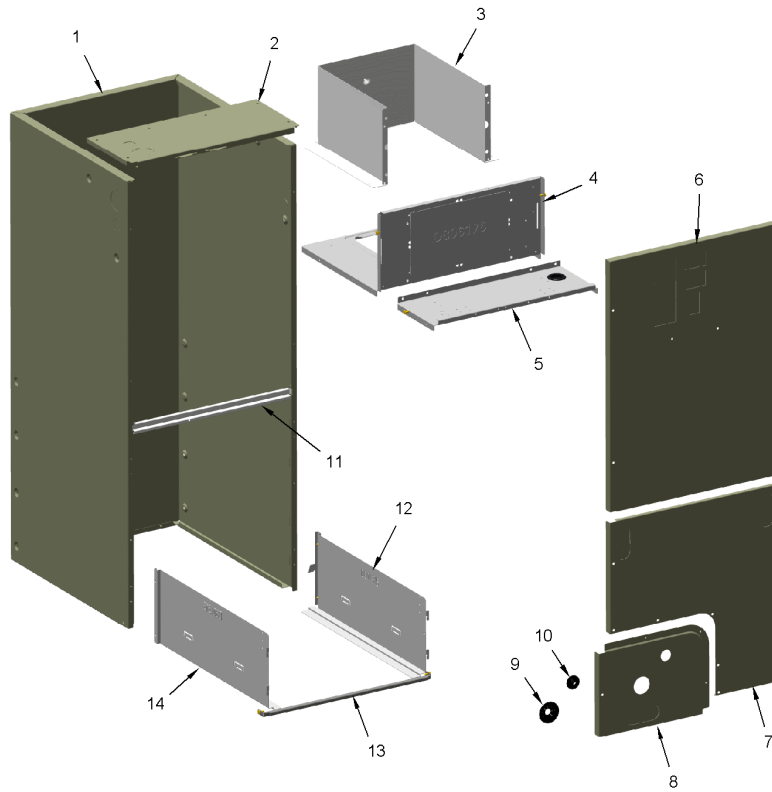
Model Number :TEM4A0B24S21SBA

Part No.	Reference No.	Quantity	Description
75012596_TEM4AUP2_304969-P	*		CABINET PARTS LIST

CABINET

75012596

RP
A



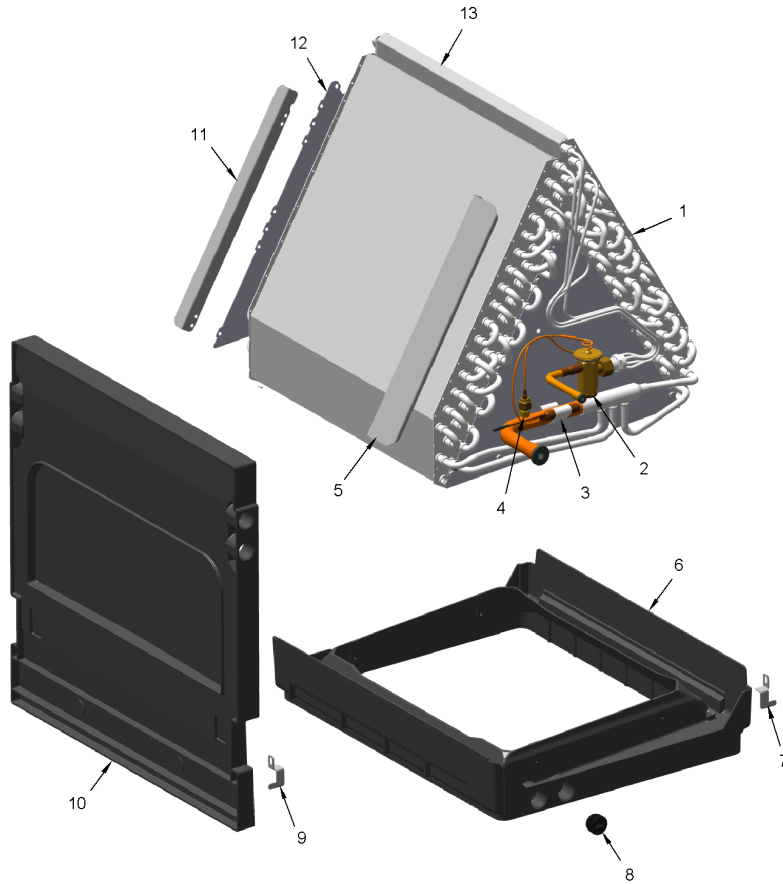
This is a typical illustration. The unit in the field may not appear exactly as shown.

Part No.	Reference No.	Quantity	Description
PAI00074	*	1	PAINT; SPRAY, SLATE GREY, FULL GLOSS(88) (SHIPPING UOM 12 OZ HAZ)
PLT03593	*	1	PLATE; APPEARANCE NAMEPLATE, AMERICAN STANDARD, 6.50 X 1.11
PLT03689	*	1	PLATE; NAMEPLATE TRANE, 6.00 X 1.46 (MOLDED OVAL PLATE)
CBT01788	1	1	CABINET; WRAPPER
PNL29550	2	1	PANEL; TOP COVER, 18.63 X 7.85
SUP06387	4	1	SUPPORT; BLOWER SHELF, 13.57 X 17.95 X 7.94
PNL29548	6	1	PANEL; BLOWER, 25.29 X 18.63
PNL29544	7	1	PANEL; COIL, 18.63 X 19.86
PNL29546	8	1	PANEL; LINESET, 12.14 X 9.24
GRM00863	9	1	GROMMET; SUCTION GROMMET
GRM00864	10	1	GROMMET; CONE GROMMET, LIQUID LINE
SUP05665	11	1	SUPPORT; CROSSMEMBER, MIDDLE, 17.39 L
SUP05662	12	1	SUPPORT; COIL SHIELD, RIGHT, 20.04 X 7.72
SUP05663	13	1	SUPPORT; CROSSMEMBER, BOTTOM, 18.37 L
SUP05661	14	1	SUPPORT; COIL SHIELD, LEFT, 20.04 X 7.72

COIL

75012598

RP
A



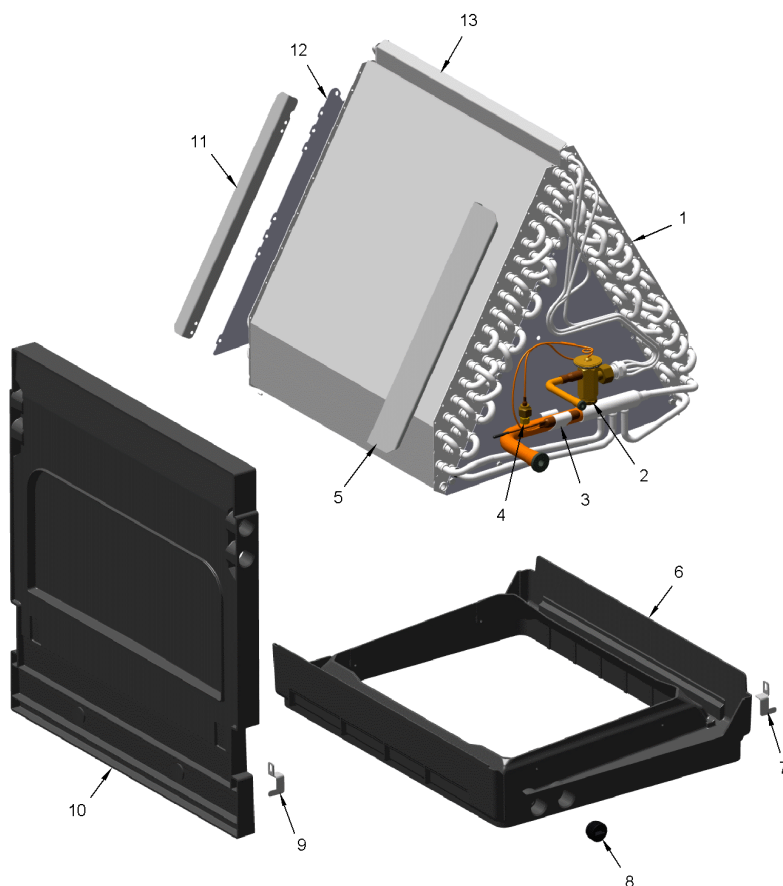
This is a typical illustration. The unit in the field may not appear exactly as shown.

Part No.	Reference No.	Quantity	Description
75012598_TEM4AUP2_304970-P	*		COIL PARTS LIST

COIL

75012598

RP
A



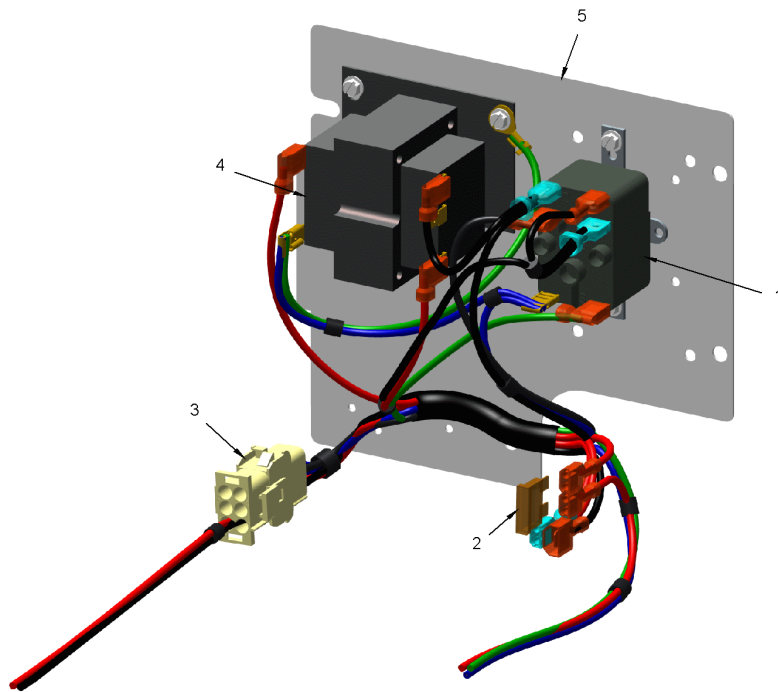
This is a typical illustration. The unit in the field may not appear exactly as shown.

Part No.	Reference No.	Quantity	Description
BRK04471	*	1	BRACKET; DRAIN PAN CLIP
PLU01169	*	1	PLUG; THREADED 3/4
COL19274	1	1	COIL; ASSEMBLY, INCLUDES DRAINPAN BUT NOT TXV
TUB13373	2	1	TUBE; ASSEMBLY, 3 TON TXV, R410A. CONSISTS OF VAL11333 AND LIQUID TUBE
VAL11333	2	1	VALVE: TXV
WAS01180	2	1	WASHER; TEFLON, 0.46 ID X 0.56 OD X 0.056 THK
CLP00200	3	1	CLIP; BULB
BOD00114	4	1	BODY; VALVE, BRASS, 7/16 HEX, 7/16 -20 UNF-2A
DIV00331	5	1	DIVERTER, COIL
PAN03384	6	1	PAN; DRAIN, UPFLOW, 16.50 X 20.07
BRK04501	7	1	BRACKET; COIL, 1.73 X 1.00 X 0.46, RIGHT SIDE
PLU01169	7	1	PLUG; THREADED 3/4
BRK04500	9	1	BRACKET; COIL, 1.73 X 1.00 X 0.46, LEFT SIDE
PAN03386	10	1	PAN; DRAIN, HORIZONTAL, 20.67 X 20.38
DIV00338	11	1	DIVERTER; COIL REAR
BAF01413	12	2	BAFFLE; COIL
DIV00332	13	1	DIVERTER; COIL, 16.38 X 1.20 X 0.57

CONTROLS

75012597

RP
A



This is a typical illustration. The unit in the field may not appear exactly as shown.

Parts List Number :75012594#TEM4AUP2

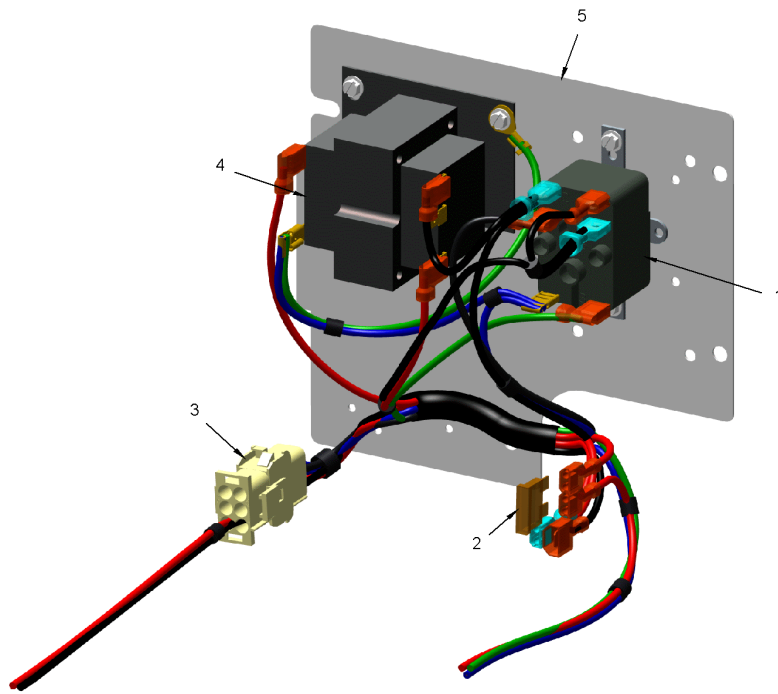
Model Number :TEM4A0B24S21SBA

Part No.	Reference No.	Quantity	Description
75012597_TEM4AUP2_167609-P	*		CONTROLS PARTS LIST

CONTROLS

75012597

RP
A



This is a typical illustration. The unit in the field may not appear exactly as shown.

CONTROLS PARTS LIST

Parts List Number :75012594#TEM4AUP2

Model Number :TEM4A0B24S21SBA

Part No.	Reference No.	Quantity	Description
RLY01951	1	1	RELAY; SPDT, NO-NC, 24CV, REVERSING
FUS01089	2	1	FUSE; 5 AMP, TAN, AUTOMOTIVE STYLE
WIR08988	3	1	WIRE; HARNESS, ASM-PSC
TRR01557	4	1	TRANSFORMER; 40VA, 200/230V PRI, 24V SEC
PLT05625	5	1	PLATE; CONTROL, 7.38 X 6.69

OPTIONAL EQUIPMENT

Parts List Number :75012594#TEM4AUP2

Model Number :TEM4A0B24S21SBA

Part No.	Reference No.	Quantity	Description
OPTIONS_TEM4AUP2_304971-P	*		OPTIONAL EQUIPMENT PARTS LIST

Part No.	Reference No.	Quantity	Description
BAYATXV1836B	*	1	KIT; FIELD MOUNTED TXV
BAYHTR1504LUGB	*	1	4KW HEATER LUGS
BAYHTR1505LUGB	*	1	5KW HEATER LUGS
BAYHTR1508LUGB	*	1	8KW HEATER LUGS
BAYHTR1510LUGB	*	1	10KW HEATER LUGS
BAYSF1185BAA	*	1	1 IN FILTER AND INSULATED FRAME, 18.5 IN
BAYSPEKT201A	*	1	KIT; SINGLE POINT POWER ENTRY (BAYSPEKT201A)
BAYTEMSPFG1A	*	1	DUCT FLANGE KIT
FLRSF1185	*	1	FILTER; 1 INCH MERV 4 FILTER, 17.75X19.75X.75 (1 EACH = 12 FILTERS)
KIT18054	*	1	KIT; EMI/EFI AIR HANDLER ELECTRIC NOISE KIT FOR VARIABLE SPEED BLOWER MOTOR (BAYAHEMIKIT001A)
TAYBASE185	*	1	KIT; DOWNFLOW SUB-BASE KIT, 18.5 CABINET
TAYBASE235	*	1	DOWNFLOW SUB-BASE KIT
TEMBRKSEALKT01A	*	1	KIT-BREAKER SEAL

MODEL NUMBER DESCRIPTION

75011282

REV.
A

AIR HANDLER

Example Model Number:

TEM4A0B36S31SAA
1 - - - 5 - - - 10 - - - 15

Digit 1 – Brand

T = Trane

Digit 2 – Product Type

E = Air Handler

Digit 3 – Convertibility

M = Multi-poise 4-way

Digit 4 – Product Tier

3 = Entry Level Multi-Speed
4 = Entry Level Multi-Speed
6 = Entry Level Variable-Speed
8 = Entry Level COMM/24V Variable Speed

Digit 5 – Major Design Change

Digit 6 – No Descriptor

0 = Air Handler / Coil

Digit 7 – Size (Footprint) (W X D)

B = 21.0 x 21.1
C = 23.5 x 21.1
D = 26.5 x 21.1

Digits 8, 9 – Cooling Size: Air Handler or Coil

0-9 = AH Coil - 1000 BTU's (18, 24, 30, 36, 42, 48, 60)

Digits 10, 11 – Airflow Type & Capacity

S = Standard Efficiency, 1-5 nominal Tonnage (cfm/ton)
H = High Efficiency Variable Speed, 1-5 Nominal Tonnage (cfm/ton)
V = High Efficiency Variable Speed, 1-5 Nominal Tonnage (cfm/ton)

Digit 12 – Power Supply

1 = 208-230/1/60

Digit 13 – System Control Type

S = Standard - 24 VAC
D = Dual (24 VAC / CLII 13.8 VDC)

Digit 14 – Minor Design Change

Digit 15 – Unit Parts Identifier

Parts List Number :75012594#TEM4AUP2

Model Number :TEM4A0B24S21SBA

Part No.	Reference No.	Quantity	Description
75011282_TEM4AUP2_167604-P	*		MODEL NUMBER DESCRIPTION PARTS LIST

MODEL NUMBER DESCRIPTION	75011282	REV B
AIR HANDLER		
<i>Example Model Number:</i> TEM4A0B36S31SAA 1 - - - 5 - - - 10 - - - 15		
Digit 1 – Brand T = Trane		
Digit 2 – Product Type E = Air Handler		
Digit 3 – Convertibility M = Multi-poise 4-way		
Digit 4 – Product Tier 3 = Entry Level Multi-Speed 4 = Entry Level Multi-Speed 6 = Entry Level Variable-Speed 8 = Entry Level COMM/24V Variable Speed		
Digit 5 – Major Design Change		
Digit 6 – No Descriptor 0 = Air Handler / Coil		
Digit 7 – Size (Footprint) (W X D) B = 21.0 x 21.1 C = 23.5 x 21.1 D = 26.5 x 21.1		
Digits 8, 9 – Cooling Size: Air Handler or Coil 0-9 = AH Coil - 1000 BTU's (18, 24, 30, 36, 42, 48, 60)		
Digits 10, 11 – Airflow Type & Capacity S = Standard Efficiency, 1-5 nominal Tonnage (cfm/ton) H = High Efficiency Variable Speed, 1-5 Nominal Tonnage (cfm/ton) M = Mid Efficiency Variable Speed, 1-5 Nominal Tonnage (cfm/ton) V = High Efficiency Variable Speed, 1-5 Nominal Tonnage (cfm/ton)		
Digit 12 – Power Supply 1 = 208-230/1/60		
Digit 13 – System Control Type S = Standard - 24 VAC D = Dual (24 VAC / CLII 13.8 VDC)		
Digit 14 – Minor Design Change		
Digit 15 – Unit Parts Identifier		
1 of 1		

