

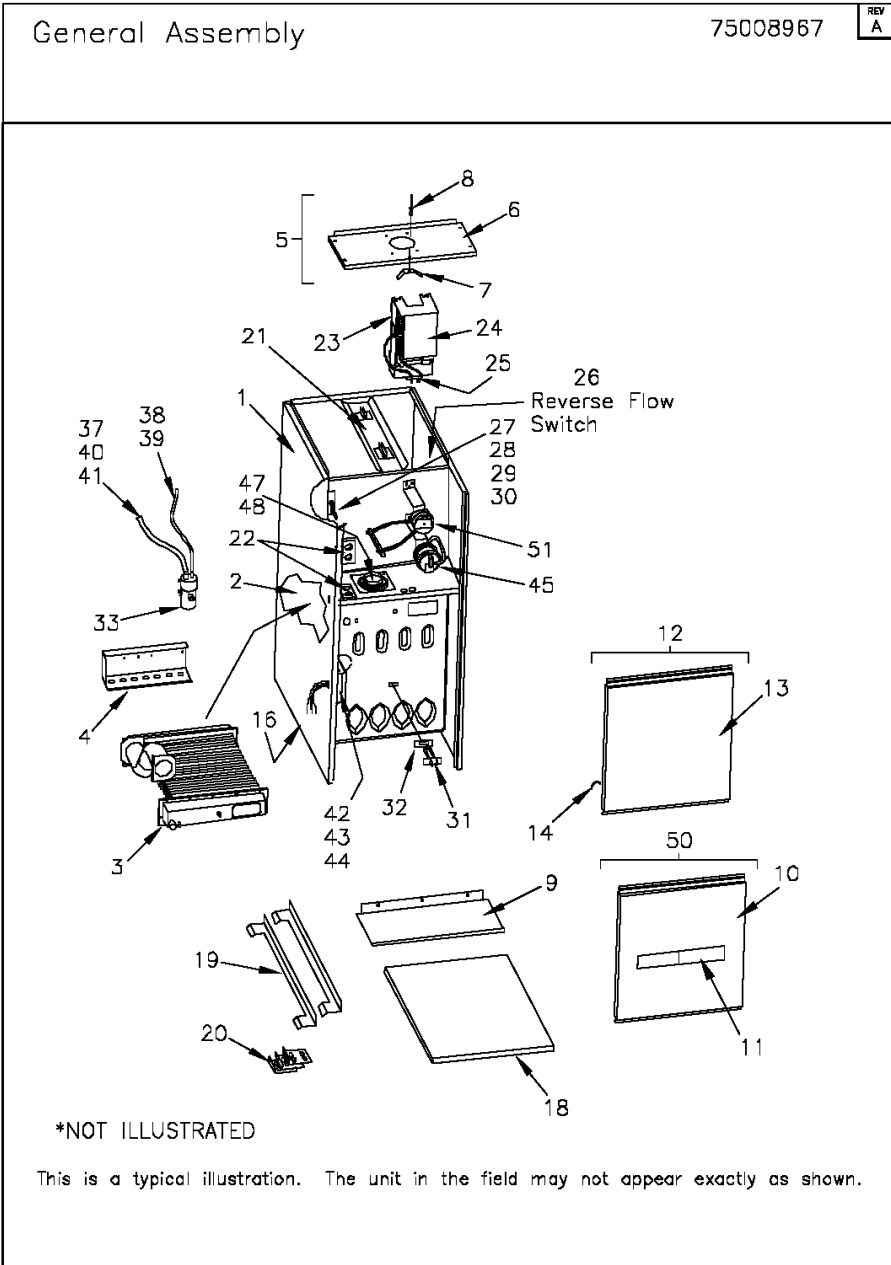
Part No.	Reference No.	Quantity	Description
75008965#FURUP194~S	*		BLOWER ASSEMBLY
75000977#FURUP194~S	*		BURNER ASSEMBLY
FUR194_FURUP194_130244~P	*		FURUP194 PARTS LIST
75008967#FURUP194~S	*		GENERAL ASSEMBLY
75000978#FURUP194~S	*		INDUCED BLOWER AND FLUE ASSEMBLY
75008940#FURUP194~S	*		MODEL NUMBER NOMENCLATURE

NO GRAPHIC AVAILABLE

75013702

REV
A

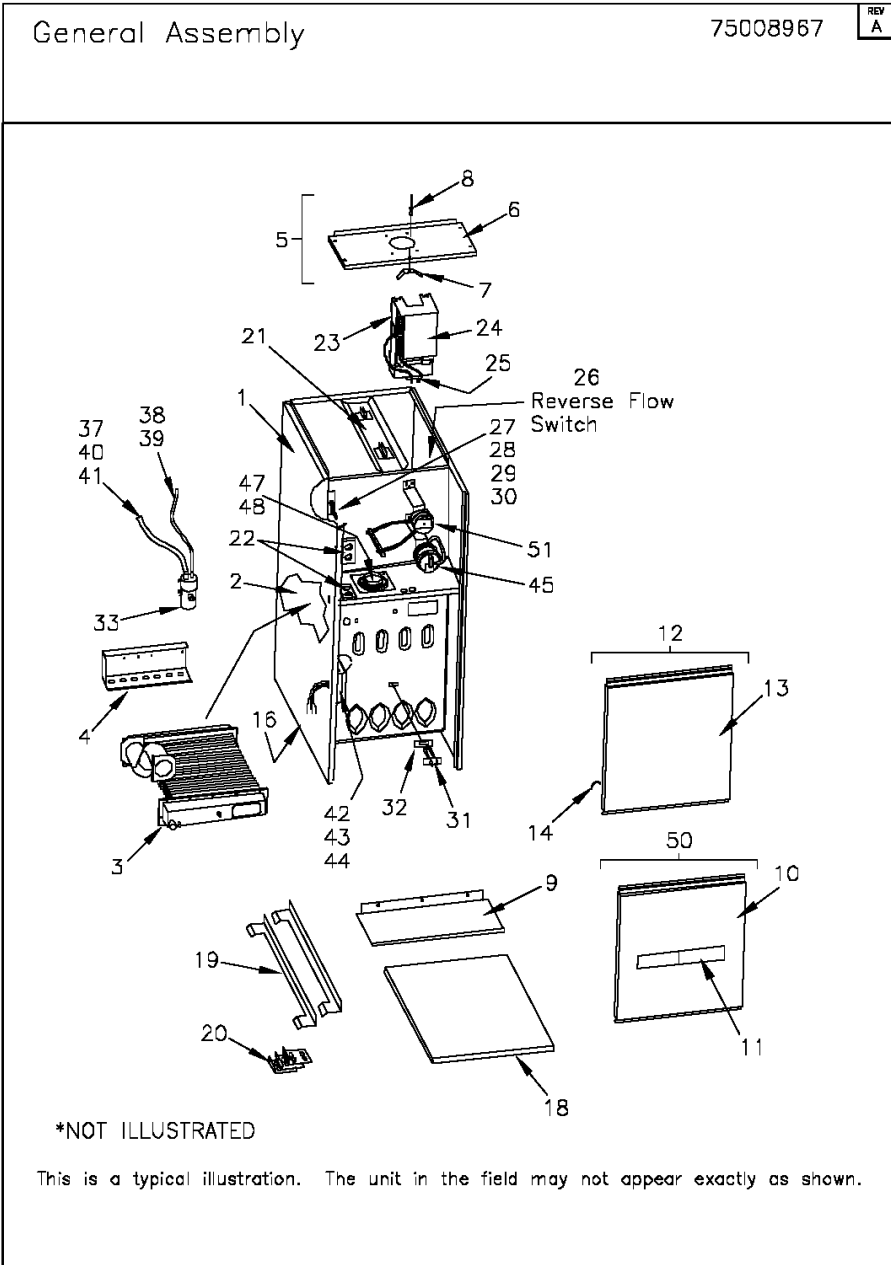
**NO
GRAPHIC
AVAILABLE**



Parts List Number :FUR194#FURUP194

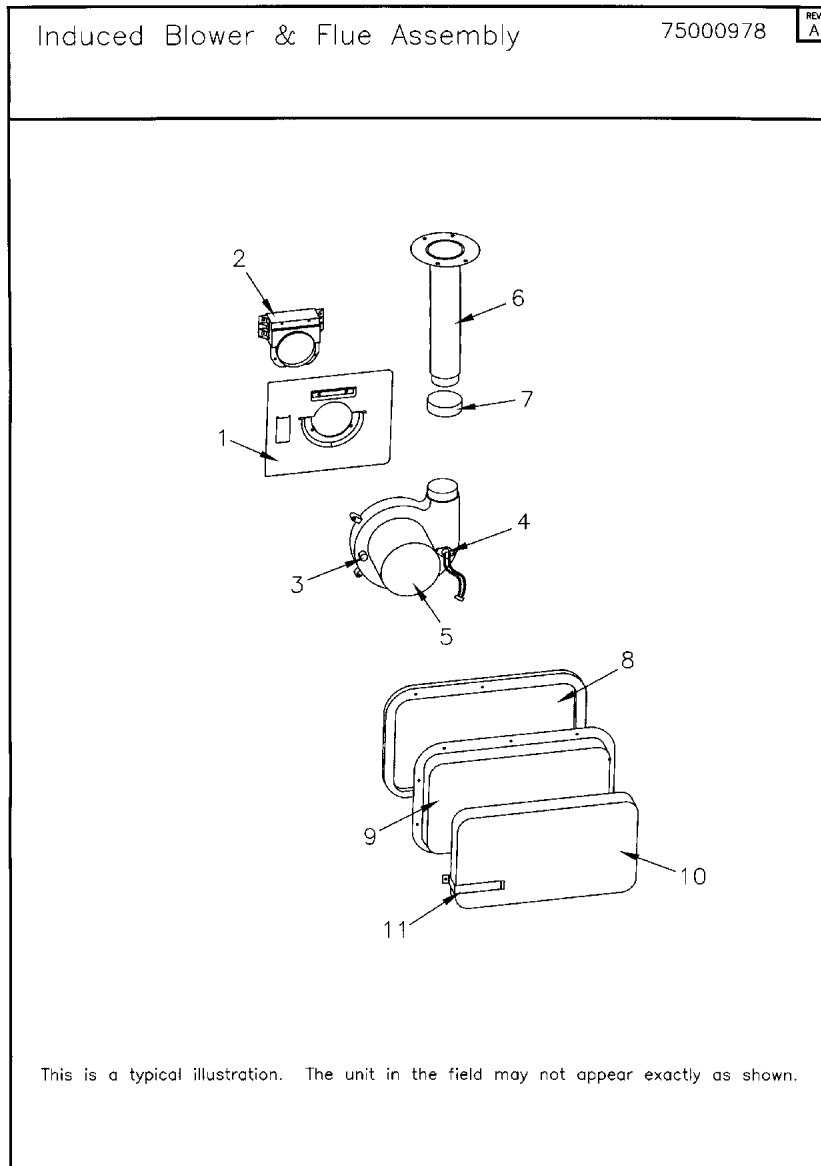
Model Number :TDHMD120ACV5VAA

Part No.	Reference No.	Quantity	Description
75008967_FURUP194_159381~P	*		GENERAL ASSEMBLY PARTS LIST



Part No.	Reference No.	Quantity	Description
ADP01053	*	1	ADAPTER; FLUE CONNECTOR WITH PERFORATED AIR DIFFUSER, 3 INCH DIAMETER, PLASTIC
BRK02173	*	1	BRACKET; INNER BLOWER DOOR DISCONNECT SWITCH
CNT04834	*	1	CONTROL; USER INTERFACE - DISPLAY ASSEMBLY
CPL00938	*	1	COUPLING; REDUCING COUPLING ASSEMBLY - INCLUDES C341097P01 (CPL00838) AND A341677P01 (POLYPROPYLENE PAD). 2.00 TO 3.0 WHITE PVC COUPLING ADAPTER.
GLS00164	*	1	PLUG; 0.75 MTG HOLE SNAP-IN
HSE01577	*	1	HOSE; ASSEMBLY INCLUDES 2 BARBED TEE FITTINGS, AND 5 SECTIONS OF HOSE
IRT00020	*	6	INSERT; BURNER
MOD01574	*	1	MODULE; TO ORDER-SEE EXT NOTE
PAI00074	*	1	PAINT; SPRAY, SLATE GREY, FULL GLOSS(88) (SHIPPING UOM 12 OZ HAZ)
SWT01714	*	1	SWITCH; DOOR SPST, 21 AMP, 125/250VAC
TER00312	*	1	TERMINAL; 8IN. TIE CABLE
TIE00026	*	1	TIE; CABLE, 8-1/2IN.
TRR02162	*	1	TRANSFORMER; CHOKE LINE
TUB08057	*	1	TUBE; MALE TRANSFER NOT FIELD REPLACEABLE, PART OF RECOUP CELL
TUB08186	*	1	TUBE; FEMALE TRANSFER NOT FIELD REPLACEABLE, PART OF RECOUP COIL CELL
TUB11760	*	1	TUBE; CONDENSATE TUBE ASSEMBLY, TRAP TO FURNACE CABINET (FIELD CONNECTION). INCLUDES HOSE, CLAMP, BARBED ADAPTER AND COUPLING.
WIR04866	*	1	WIRE; HARNESS - 4 PIN VSIM
CBT01516	1	1	CABINET; REPLACEMENT WRAPPER ASSEMBLY
EXC02153	2	1	EXCHANGER; HEAT EXCHANGER WITH RCT00851
COI00054	3	1	COIL; RECOUP ASSEMBLY
SUP02611	4	1	SUPPORT; HEAT EXCHANGER
COV02150	5	1	COVER; TOP ASSEMBLY
COV02250	6	1	COVER; TOP COVER ONLY. COMPLETE ASSEMBLY IS COV02150. PAINTED.
SPG00309	7	1	SPRING; DOOR RETAINER,INCLUDED IN COVER ASSEMBLY
RIV00071	8	1	RIVET; POP, QTY 100 PER BOX COMPLETE COVER ASSEMBLY WILL INCLUDE THIS
PNN05915	9	1	PANEL; BOTTOM
DOR02737	10	1	DOOR; BURNER ONLY...FOR COMPLETE ASSEMBLY USE DOR02843
PLT04532	11	1	PLATE; NAMEPLATE ASSEMBLY TRANE XC95M
DOR03832	12	1	DOOR; REPLACEMENT BLOWER DOOR ASM.
DOR03774	13	1	DOOR; BLOWER DOOR ONLY 24" X20"
CLP00886	14	1	CLIP; ACCESS PANEL
BAF00853	16	1	BAFFLE; HEAT EXCHANGER
FLR01186	18	2	FILTER; AIR, 19 5/8 X 15 5/8 X 1, ALUMINUM FRAME
ANG00625	19	2	ANGLE, FILTER RETAINER 15 X .31 GALVANIZED
BRK01574	20	3	BRACKET;CONNECTION,COIL ATTACHMENT,FOR AIR HANDLER CONNECT.
SUP02162	21	1	SUPPORT, FILTER
GRM00836	22	1	GROMMET; WIRE, 2.55 LENGTH X 1.69 WIDTH X .32 THICK
MNT02206	23	1	MOUNT; IFC CONTROL PLATFORM
CNT05457	24	1	CONTROL; INTEGRATED FURNACE CONTROL, MODULATING
TRR01816	25	1	TRANSFORMER;
BRK02826	26	1	BRACKET; BLOWER DOOR SWITCH
SWT01649	26	1	SWITCH; REVERSE AIRFLOW, OPEN 105F, CLOSE 95F, 120/240V, 1/4QC TERM
SUP04110	27	2	SUPPORT; INNER DOOR
DOR01240	28	1	DOOR; INNER BLOWER
GRM00217	29	1	GROMMET; BURNER BOX ENTRY SEAL
SWT01657	31	1	SWITCH; THERMAL LIMIT, OPEN AT 250F, CLOSE AT 220F, 5.8 FLA @ 120V

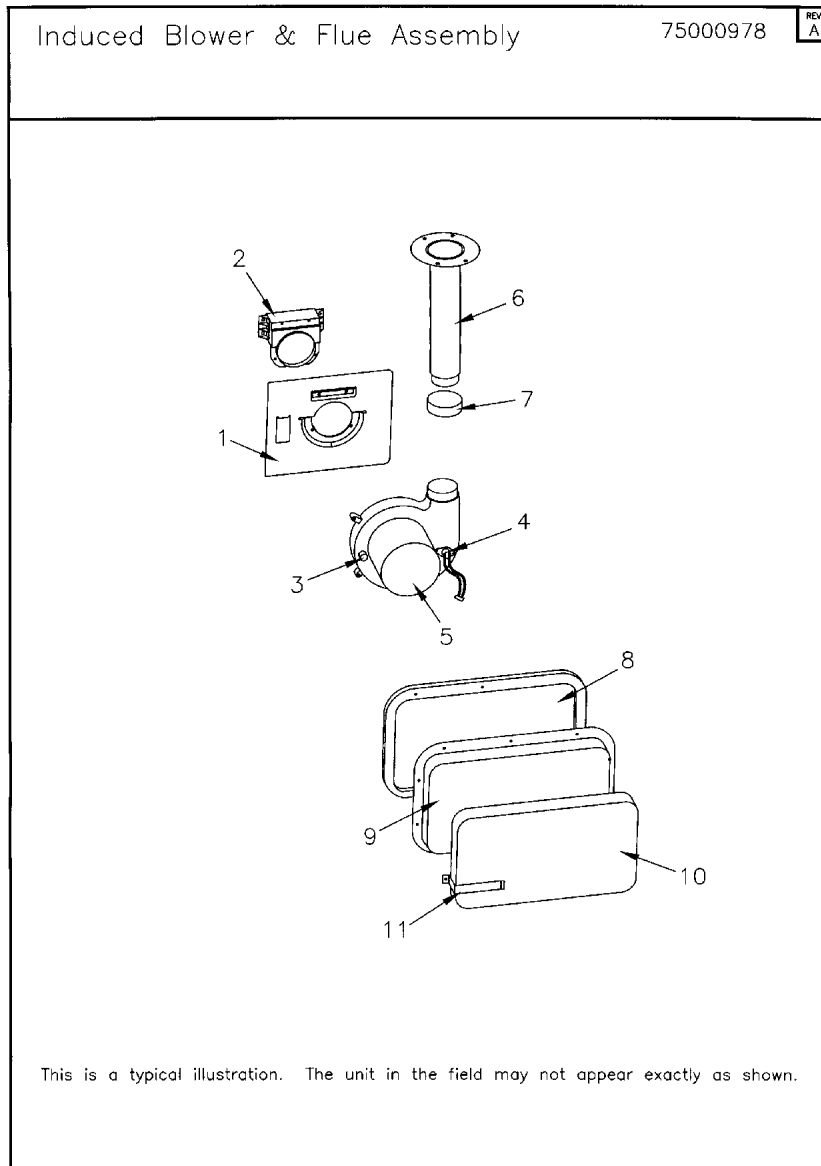
Part No.	Reference No.	Quantity	Description
GKT03506	32	1	GASKET; LIMIT SWITCH
TRP00007	33	1	TRAP; CANNISTER
TUB11757	37	1	TUBE; CONDENSATE TUBE ASSEMBLY, COLD HEADER TO CANISTER TRAP. ASSEMBLY INCLUDES HOSE AND CLAMP.
TUB11756	38	1	TUBE; CONDENSATE TUBE ASSEMBLY, INDUCER TO CANISTER TRAP. INCLUDES HOSE AND CLAMP.
BOX01499	42	1	BOX; JUNCTION BOX
COV03320	43	1	COVER; JUNCTION BOX COVER
BUS00300	44	1	BUSHING; STRAIN RELIEF
SWT02980	45	1	SWITCH; DUAL PRESSURE, 28 VA PILOT DUTY 24 VAC, 125 VA PILOT DUTY 120 VAC. , 1/10 HP, 3 FLA, 18 LRA 24 VAC. HIGH SIDE OPEN AT 1.79 WC, CLOSE AT 2.12 WC. LOW SIDE OPEN AT 0.97 WC, CLOSE AT 1.19 WC
PLT02216	46	1	PLATE; DEFLECTOR
GKT03082	47	2	GASKET; INLET, 4.0 X 4.0 NONWOVEN FIBERGLASS
ADP00446	48	2	ADAPTER; INLET, 3" DIA
DOR03841	50	1	DOOR; REPLACEMENT BURNER DOOR ASM
SWT03071	51	1	SWITCH; PRESSURE, .65 SET POINT, SPDT NORMALLY OPEN SNAP ACTION CONTACTS



Parts List Number :FUR194#FURUP194

Model Number :TDHMD120ACV5VAA

Part No.	Reference No.	Quantity	Description
75000978_FURUP194_159377~P	*		INDUCED BLOWER AND FLUE ASSEMBLY PARTS LIST



Parts List Number :FUR194#FURUP194

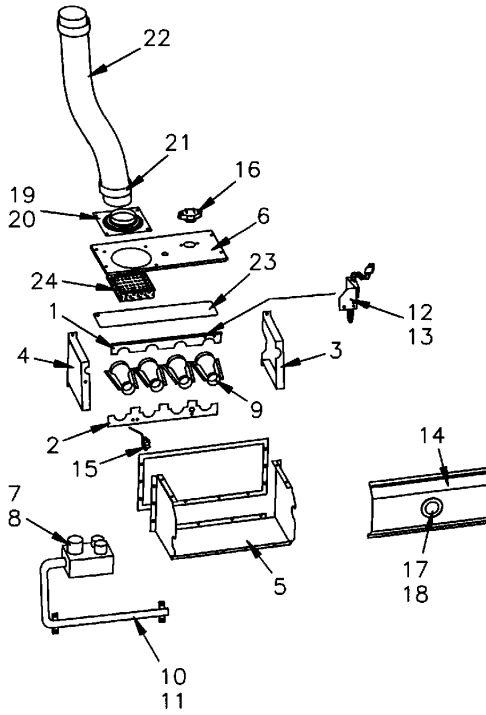
Model Number :TDHMD120ACV5VAA

Part No.	Reference No.	Quantity	Description
CNT04982	*	1	CONTROL; VARIABLE SPEED IFC DRIVE ASSEMBLY (VSIM). INCLUDES: CONTROL, BRACKET AND INSULATION
CON00336	*	1	CONNECTOR; (BARB TUBE)
MNT02266	1	1	MOUNT; INDUCER MOTOR MOUNTING PLATE, GALVANIZED STEEL
RCT00851	2	1	RECEPTACLE; TRANSITION INCLUDING FOUR MOUNTING SCREWS
CAP00453	3	1	CAP; VINYL
INS02381	4	1	INSULATION; SWITCH
SWT02686	4	1	SWITCH; LIMIT INDUCER, OPEN 155, CLOSE 125 DEG F
BLW00879	5	1	BLOWER; INDUCER, 3-PHASE
PIP00365	6	1	PIPE; FLUE, MOLDED
CMP00381	7	1	CLAMP; FLUE STACK PIPE TO INDUCED BLOWER
GKT02606	8	1	GASKET;COLLECTOR BOX
BOX00581	9	1	BOX; FLUE COLLECTOR
INS01974	10	1	INSULATION; COLLECTOR BOX

Burner Assembly

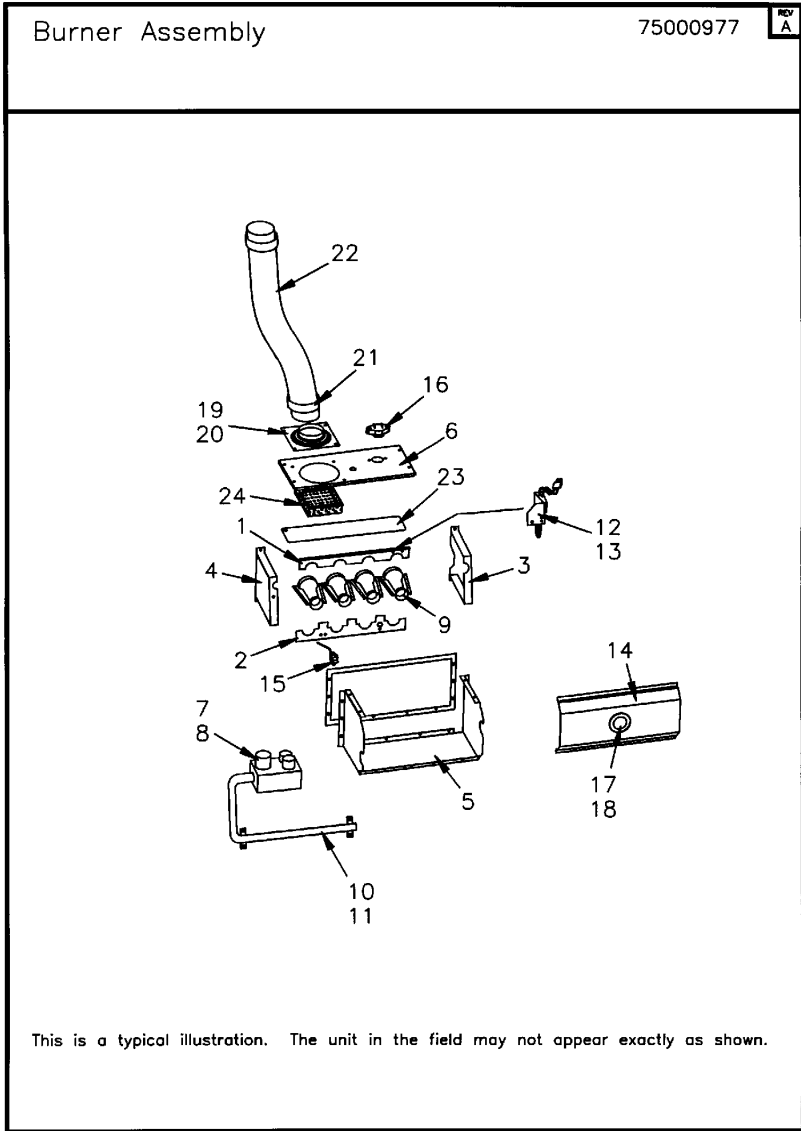
75000977

REV
A



This is a typical illustration. The unit in the field may not appear exactly as shown.

Part No.	Reference No.	Quantity	Description
75000977_FURUP194_159376~P	*		BURNER ASSEMBLY PARTS LIST

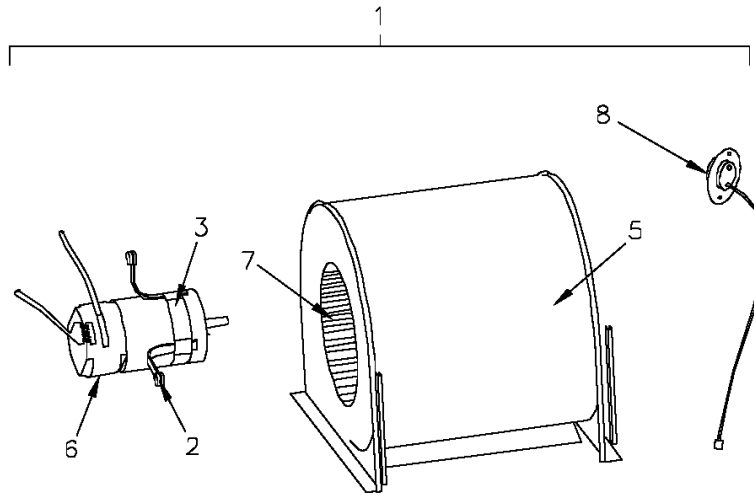


Part No.	Reference No.	Quantity	Description
BRK01963	1	1	BRACKET; TOP
BRK01530	2	1	BRACKET; BURNER
SUP02126	3	1	SUPPORT; BURNER-LEFT HAND
SUP02127	4	1	SUPPORT; BURNER-RIGHT HAND
BOX00606	5	1	BOX;DIRECT VENT
COV03096	6	1	COVER; TOP DIRECT VENT - DOWNFLOW
VAL09470	7	1	VALVE; GAS, 3 STAGE, MODULATING , 24 VOLT, 50/60HZ, 42 AMPS
PIP00343	8	1	PIPE; COMPOUND
BNR01074	9	6	BURNER; ALUMINUM STL, .50 INSERT DIA, TOG-L-LOC
ORF01427	10	6	ORIFICE; SPUD, DRILL #45, BRASS
MFD01213	11	1	MANIFOLD; NPT GAS
IGN00117	12	1	IGNITOR; INCLUDES SiNi (A341947P01), BRACKET (A341948P02) AND INSTALLER'S GUIDE (X341955P01).
BRK03336	13	1	BRACKET; SiNi IGNITOR BRACKET
COV03012	14	1	COVER; FRONT, D.V.
SEN01114	15	1	SENSOR; FLAME, NIKROTHAL 80 MATERIAL
SWT03525	16	1	SWITCH; FLAME ROLLOUT, 200 DEGREES F, AUTO RESET, CLOSING TEMP. 150
GLS00820	18	1	GLASS; SIGHT
ADP00446	19	2	ADAPTER; INLET, 3" DIA
GKT03082	20	2	GASKET; INLET, 4.0 X 4.0 NONWOVEN FIBERGLASS
CMP00380	21	2	CLAMP; FLUE STACK
CON00468	22	1	CONNECTOR; FLEX
PLT02216	23	1	PLATE; DEFLECTOR
DIF00177	24	1	DIFFUSER; AIR, PERFORATED ALUMINUM (NOT REQUIRED WHEN ORDERING ADP01052 OR ADP01053)

Blower Assembly

75008965

REV
A



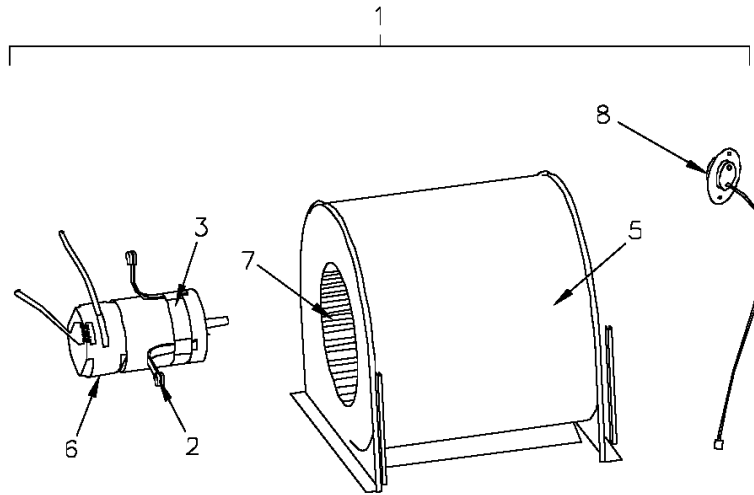
This is a typical illustration. The unit in the field may not appear exactly as shown.

Part No.	Reference No.	Quantity	Description
75008965_FURUP194_159380~P	*		BLOWER ASSEMBLY PARTS LIST

Blower Assembly

75008965

REV
A



This is a typical illustration. The unit in the field may not appear exactly as shown.

Part No.	Reference No.	Quantity	Description
BLW01038	1	1	BLOWER; REPLACEMENT BLOWER ASSEMBLY
BRK03779	2	4	BRACKET; MOTOR ARM, 4.8 X 3.0
BND00026	3	1	BAND; MOTOR MOUNT
HUS03092	5	1	HOUSING; BLOWER
MOT12498	6	1	MOTOR; VARIABLE SPEED, 1 HP, 12.8 AMPS AT 120V, 7.5 AMPS AT 240V, 60 HZ, 1250/VAR RPM.
WHL01034	7	1	WHEEL; BLOWER, 10.62 DIA X 10.75 WIDTH, CONVEX .50 BORE CW
SWT01649	8	1	SWITCH; REVERSE AIRFLOW, OPEN 105F, CLOSE 95F, 120/240V, 1/4QC TERM

MODEL NUMBER DESCRIPTION	75008940	REV A
FURNACES		
<p>T U D 1 A 0 8 0 A 9 3 6 1 A A</p> <p>1 2 3 4 5 6 7 8 9 10 11 12 13 14 15</p>		
<p>Digit 1 Brand T = Trane A = American Standard C = Standard</p> <p>Digit 2 Configuration U = Upflow or Upflow / Horizontal H = Horizontal D = Downflow</p> <p>Digit 3 Product Family E = 80% Induced Draft Standard D = 80% Induced Draft Premium C = 90% Condensing Standard 1 or 2 Pipe X = 90% Condensing Premium 1 or 2 Pipe H = 95% Condensing Premium 1 or 2 Pipe</p>	<p>Digit 10 Voltage 9 = 115 Volts / 60hz / Natural Gas A = 115 Volts / 50hz / Natural Gas C = 115 Volts / 60hz / Natural Gas Communicating System control F = 115 Volts / 60hz / Natural Gas With Integrated Electronic Filter D = 115 Volts / 60hz / Natural Gas With Communicating System & Integrated Electronic Filter</p> <p>Digit 11 & 12 Air Flow 36 = 3 Ton Standard PSC motor H3 = 3 Ton High Efficiency Motor V3 = 3 Ton Variable Speed Motor</p>	
<p>Digit 4 Heating Stages 1 = Single Stage 2 = Two Stage 3 = Three Stage M = Modulating</p>	<p>Digit 13 Draft Inducer Speed 1 = Single Speed 2 = Two Speeds V = Variable Speed</p>	
<p>Digit 5 A = 14.5" Cabinet Width B = 17.5" Cabinet Width C = 21.0" Cabinet Width D = 24.5" Cabinet Width</p>	<p>Digit 14 Minor Design Change A = Minor Design Change</p>	
<p>Digit 6,7,8 Capacity 080 = Heating Input MBTUH</p>	<p>Digit 15 Service Digit A = Service Digit</p>	
<p>Digit 9 Major Modification A = Major Design Change</p>		

Part No.	Reference No.	Quantity	Description
75008940_FURUP194_130255~P	*		MODEL NUMBER NOMENCLATURE PARTS LIST

MODEL NUMBER	DESCRIPTION	75008940	REV A
FURNACES			
<p>T U D 1 A 0 8 0 A 9 3 6 1 A A</p> <p>1 2 3 4 5 6 7 8 9 10 11 12 13 14 15</p>			
<p>Digit 1 Brand T = Trane A = American Standard C = Standard</p> <p>Digit 2 Configuration U = Upflow or Upflow / Horizontal H = Horizontal D = Downflow</p> <p>Digit 3 Product Family E = 80% Induced Draft Standard D = 80% Induced Draft Premium C = 90% Condensing Standard 1 or 2 Pipe X = 90% Condensing Premium 1 or 2 Pipe H = 95% Condensing Premium 1 or 2 Pipe</p> <p>Digit 4 Heating Stages 1 = Single Stage 2 = Two Stage 3 = Three Stage M = Modulating</p> <p>Digit 5 A = 14.5" Cabinet Width B = 17.5" Cabinet Width C = 21.0" Cabinet Width D = 24.5" Cabinet Width</p> <p>Digit 6,7,8 Capacity 080 = Heating Input MBTUH</p> <p>Digit 9 Major Modification A = Major Design Change</p>	<p>Digit 10 Voltage 9 = 115 Volts / 60hz / Natural Gas A = 115 Volts / 50hz / Natural Gas C = 115 Volts / 60hz / Natural Gas Communicating System control F = 115 Volts / 60hz / Natural Gas With Integrated Electronic Filter D = 115 Volts / 60hz / Natural Gas With Communicating System & Integrated Electronic Filter</p> <p>Digit 11 & 12 Air Flow 36 = 3 Ton Standard PSC motor H3 = 3 Ton High Efficiency Motor V3 = 3 Ton Variable Speed Motor</p> <p>Digit 13 Draft Inducer Speed 1 = Single Speed 2 = Two Speeds V = Variable Speed</p> <p>Digit 14 Minor Design Change A = Minor Design Change</p> <p>Digit 15 Service Digit A = Service Digit</p>		

Parts List Number :FUR194#FURUP194

Model Number :TDHMD120ACV5VAA