

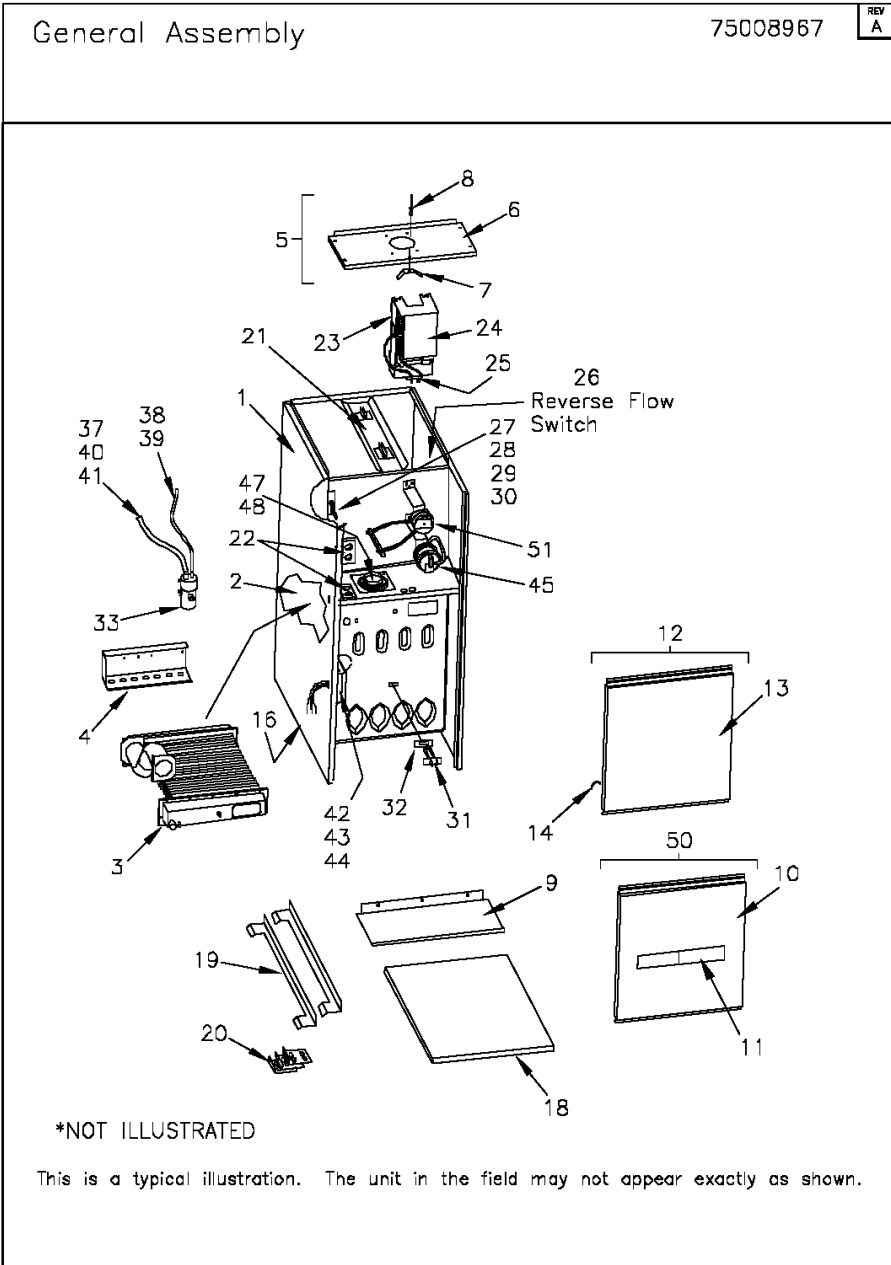
Part No.	Reference No.	Quantity	Description
75008965#FURUP207~S	*		BLOWER ASSEMBLY
75000977#FURUP207~S	*		BURNER ASSEMBLY
FUR207_FURUP207_124590~P	*		FURUP207 PARTS LIST
75008967#FURUP207~S	*		GENERAL ASSEMBLY
75000978#FURUP207~S	*		INDUCED BLOWER AND FLUE ASSEMBLY
75010797#FURUP207~S	*		INTEGRATED FURNACE CONTROL
75008940#FURUP207~S	*		MODEL NUMBER DESCRIPTION

NO GRAPHIC AVAILABLE

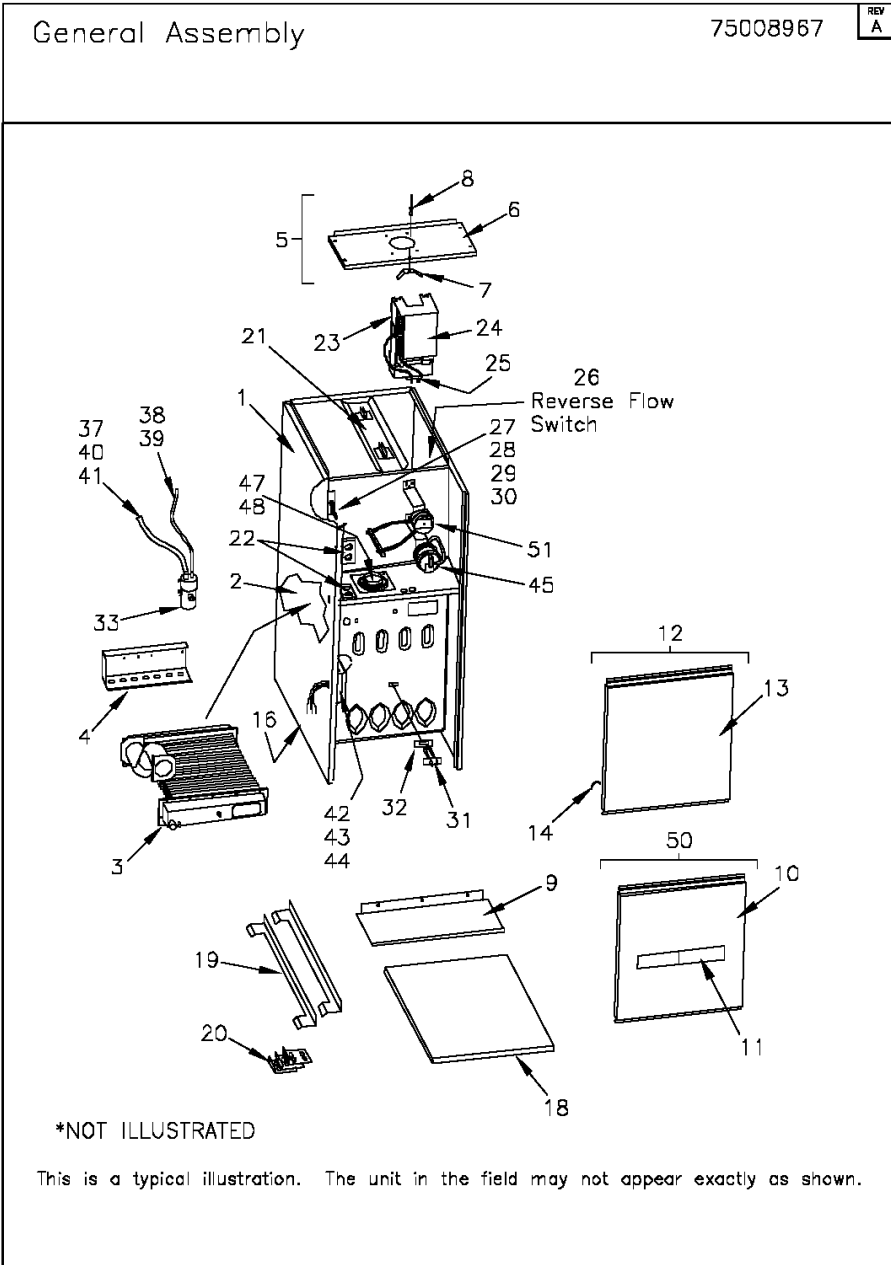
75013702

REV
A

**NO
GRAPHIC
AVAILABLE**

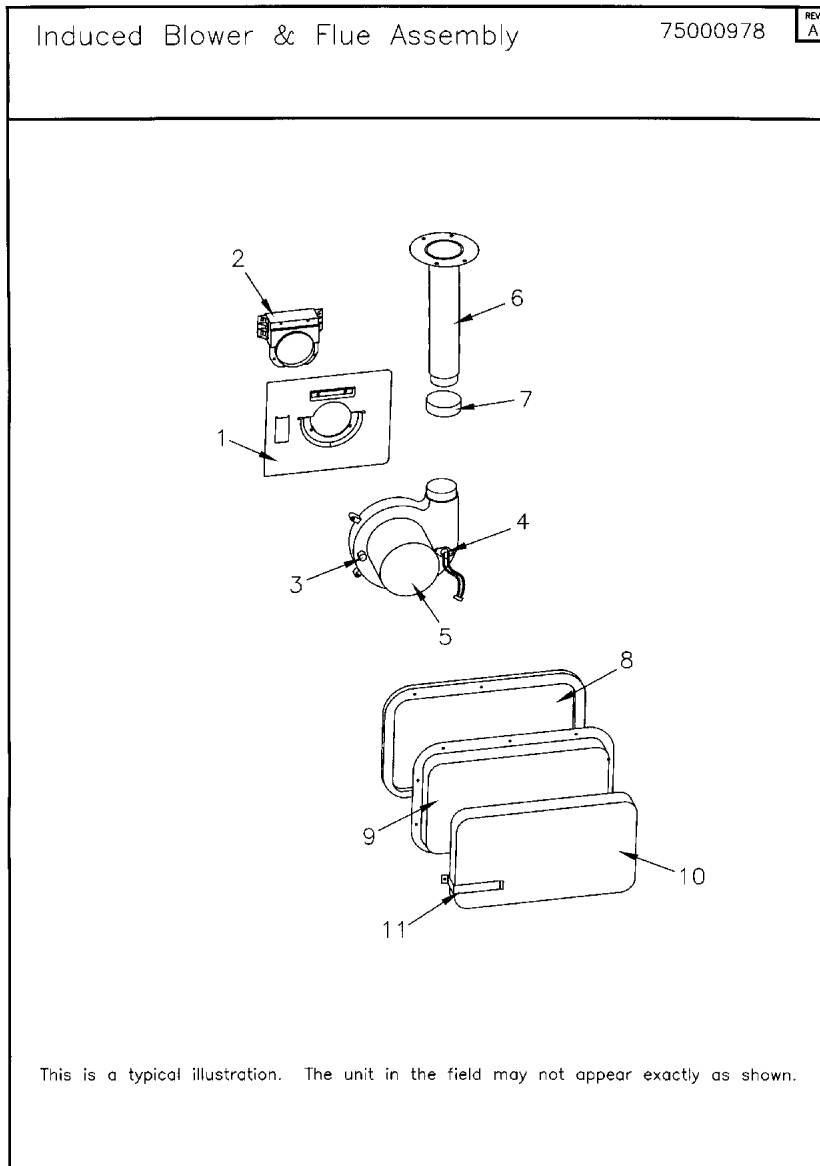


Part No.	Reference No.	Quantity	Description
75008967_FURUP207_328377~P	*		GENERAL ASSEMBLY PARTS LIST

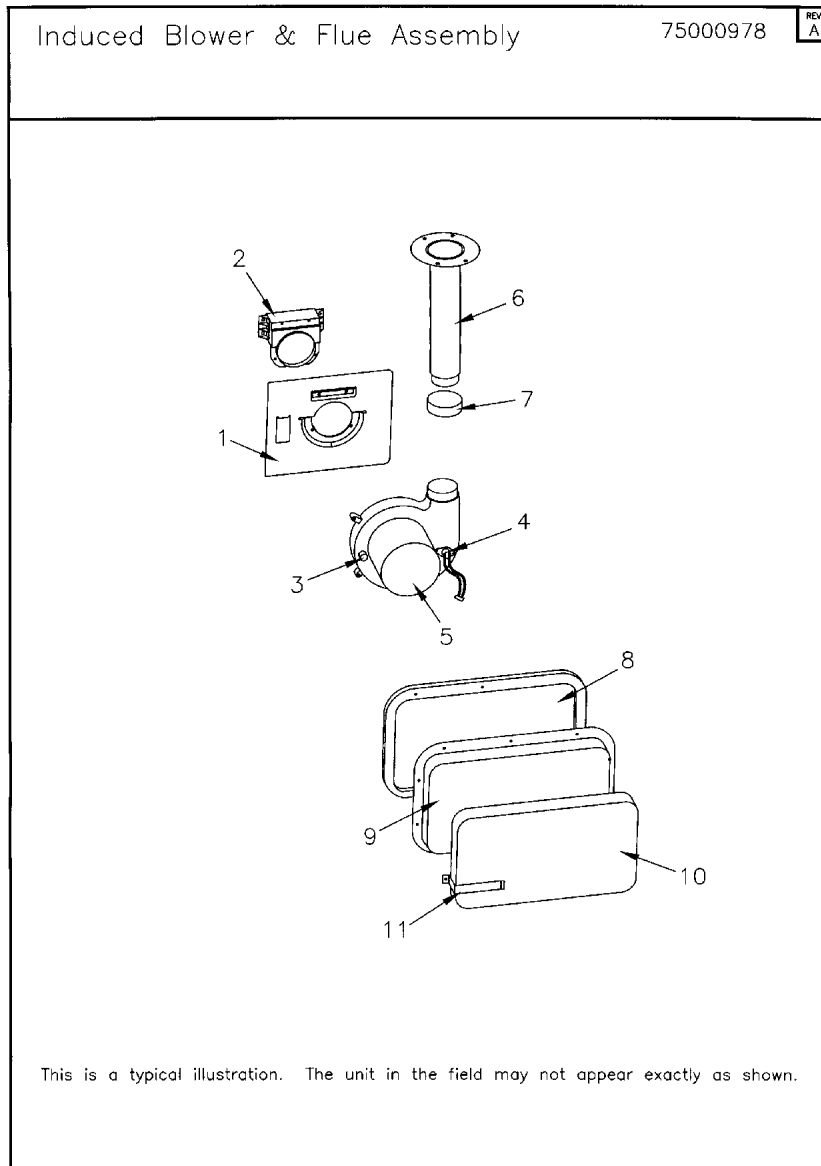


Part No.	Reference No.	Quantity	Description
ADP01053	*	1	ADAPTER; FLUE CONNECTOR WITH PERFORATED AIR DIFFUSER, 3 INCH DIAMETER, PLASTIC
CNT06883	*	1	CONTROL; VARIABLE SPEED IFC DRIVE ASSEMBLY (VSIM). INCLUDES: CONTROL, BRACKET AND INSULATION
CPL00938	*	1	COUPLING; REDUCING COUPLING ASSEMBLY - INCLUDES C341097P01 (CPL00838) AND A341677P01 (POLYPROPYLENE PAD). 2.00 TO 3.0 WHITE PVC COUPLING ADAPTER.
HSE01574	*	1	HOSE; ASSEMBLY INCLUDES BARBED TEE FITTING
HSE01577	*	1	HOSE; ASSEMBLY INCLUDES 2 BARBED TEE FITTINGS, AND 5 SECTIONS OF HOSE
IRT00020	*	5	INSERT; BURNER
MOD01574	*	1	MODULE; TO ORDER-SEE EXT NOTE
PAI00074	*	1	PAINT; SPRAY, SLATE GREY, FULL GLOSS(88) (SHIPPING UOM 12 OZ HAZ)
PNL24283	*	1	PANEL; BLOWER DECK 27.86 X 20.91
SHD00242	*	1	SHIELD; RADIATION
TRR02162	*	1	TRANSFORMER; CHOKE LINE
TUB08057	*	1	TUBE; MALE TRANSFER NOT FIELD REPLACEABLE, PART OF RECOUP CELL
TUB08186	*	1	TUBE; FEMALE TRANSFER NOT FIELD REPLACEABLE, PART OF RECOUP COIL CELL
WIR04866	*	1	WIRE; HARNESS - 4 PIN VSIM
WIR05160	*	1	WIRE; HARNESS, 2 PIN DF, 5 INCH BLACK WIRE
WIR05224	*	1	WIRE; HARNESS CONTROL DF, INCLUDES THE 15 PIN CONTROL WIRING
WIR05286	*	1	WIRE; FURNACE MISC. 16 AWG, 9 INCHES
WIR07768	*	1	WIRE; HARNESS, DF 90-3 ST
CBT01515	1	1	CABINET; REPLACEMENT WRAPPER ASSEMBLY
EXC02152	2	1	EXCHANGER; HEAT EXCHANGER WITH RCT00851
COL09685	3	1	COIL; RECOUP ASSY
SUP02610	4	1	SUPPORT; HEAT EXCHANGER
COV02149	5	1	COVER; TOP ASSEMBLY
COV02249	6	1	COVER; TOP COVER ONLY. COMPLETE ASM. IS COV02149. PAINTED.
SPG00309	7	1	SPRING; DOOR RETAINER,INCLUDED IN COVER ASSEMBLY
RIV00071	8	1	RIVET; POP. QTY 100 PER BOX COMPLETE COVER ASSEMBLY WILL INCLUDE THIS
PNL28825	9	1	PANEL; BOTTOM
PLT04532	11	1	PLATE; NAMEPLATE ASSEMBLY TRANE XC95M
DOR04257	12	1	DOOR; BLOWER, 20.13 X 20.00
BAF00854	16	2	BAFFLE; HEAT EXCHANGER
FLR01186	18	2	FILTER; AIR, 19 5/8 X 15 5/8 X 1, ALUMINUM FRAME
ANG00625	19	2	ANGLE, FILTER RETAINER 15 X .31 GALVANIZED
BRK01574	20	3	BRACKET;CONNECTION,COIL ATTACHMENT,FOR AIR HANDLER CONNECT.
SUP02162	21	1	SUPPORT, FILTER
GRM00836	22	1	GROMMET; WIRE, 2.55 LENGTH X 1.69 WIDTH X .32 THICK
SWT01649	26	1	SWITCH; REVERSE AIRFLOW, OPEN 105F, CLOSE 95F, 120/240V, 1/4QC TERM
SUP04110	27	2	SUPPORT; INNER DOOR
BRK02173	28	1	BRACKET; INNER BLOWER DOOR DISCONNECT SWITCH
DOR01239	28	1	DOOR; INNER DOOR
GRM00217	29	1	GROMMET; BURNER BOX ENTRY SEAL
SWT01635	31	1	SWITCH; THERMAL LIMIT OPEN 180F, CLOSE 150F
SEP00243	33	1	SEPARATOR; CANISTER ASSEMBLY
TUB11757	37	1	TUBE; CONDENSATE TUBE ASSEMBLY, COLD HEADER TO CANISTER TRAP. ASSEMBLY INCLUDES HOSE AND CLAMP.
TUB11755	38	1	TUBE; CONDENSATE TUBE ASSEMBLY, INDUCER TO CANISTER TRAP. INCLUDES HOSE AND CLAMP.
BOX01499	42	1	BOX; JUNCTION BOX
COV03320	43	1	COVER; JUNCTION BOX COVER

Part No.	Reference No.	Quantity	Description
BUS00300	44	1	BUSHING; STRAIN RELIEF
SWT02979	45	1	SWITCH; DUAL PRESSURE, 28 VA PILOT DUTY 24 VAC, 125 VA PILOT DUTY 120 VAC, 1/10 HP, 3 FLA, 18 LRA 24 VAC. HIGH SIDE OPEN AT 1.93 WC, CLOSE AT 2.28 WC. LOW SIDE OPEN AT 0.97 WC, CLOSE AT 1.19 WC
PLT02216	46	1	PLATE; DEFLECTOR
GKT03082	47	2	GASKET; INLET, 4.0 X 4.0 NONWOVEN FIBERGLASS
ADP00446	48	2	ADAPTER; INLET, 3" DIA
DOR03840	50	1	DOOR; REPLACEMENT BURNER DOOR ASM
SWT03070	51	1	SWITCH; PRESSURE, .76 SET POINT, SPDT NORMALLY OPEN SNAP ACTION CONTACTS



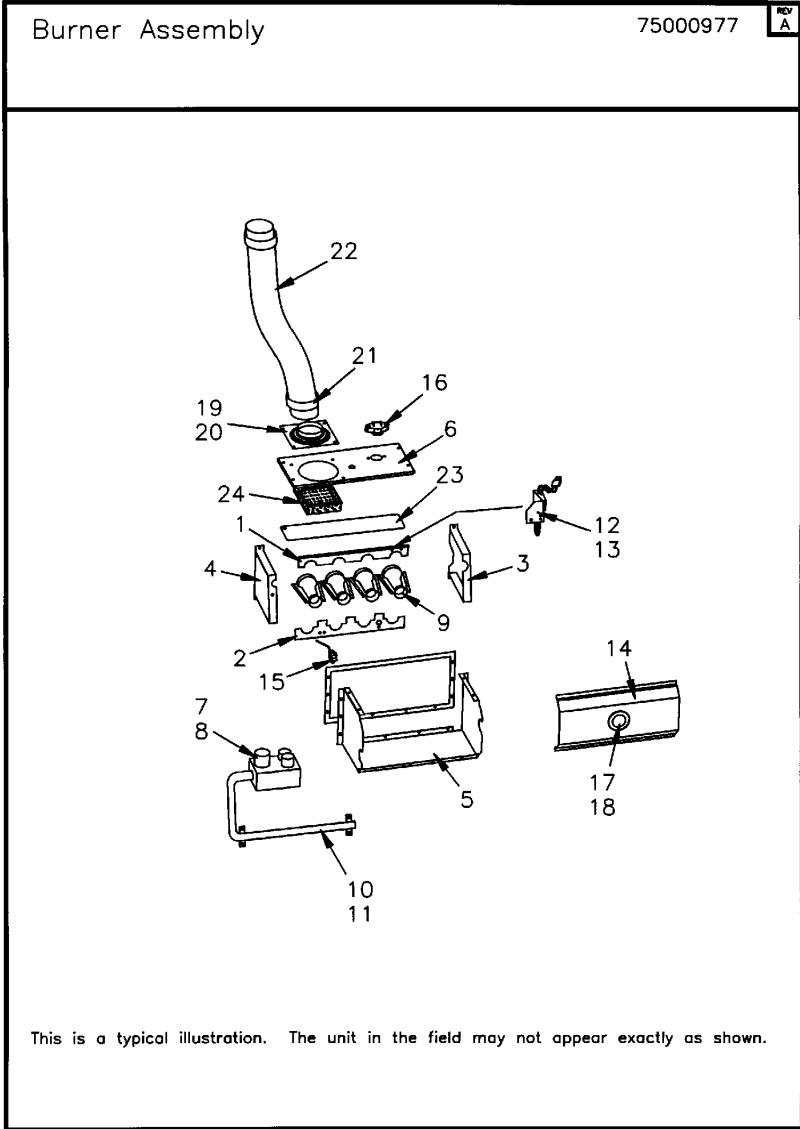
Part No.	Reference No.	Quantity	Description
75000978_FURUP207_313529~P	*		INDUCED BLOWER AND FLUE ASSEMBLY PARTS LIST



Parts List Number :FUR207#FURUP207

Model Number :TDHMC100ACV4VBC

Part No.	Reference No.	Quantity	Description
WIR04869	*	1	WIRE; HARNESS - COMMUNICATION TO BLOWER, 3 CONNECTORS (2 MALE, 1 FEMALE)
MNT02266	1	1	MOUNT; INDUCER MOTOR MOUNTING PLATE, GALVANIZED STEEL
RCT00851	2	1	RECEPTACLE; TRANSITION INCLUDING FOUR MOUNTING SCREWS
CAP00453	3	1	CAP; VINYL
INS02381	4	1	INSULATION; SWITCH
SWT02686	4	1	SWITCH; LIMIT INDUCER, OPEN 155, CLOSE 125 DEG F
BLW00879	5	1	BLOWER; INDUCER, 3-PHASE
PIP00365	6	1	PIPE; FLUE, MOLDED
GKT02605	8	1	GASKET;COLLECTOR BOX
BOX00580	9	1	BOX; FLUE COLLECTOR
INS01973	10	1	INSULATION; COLLECTOR BOX

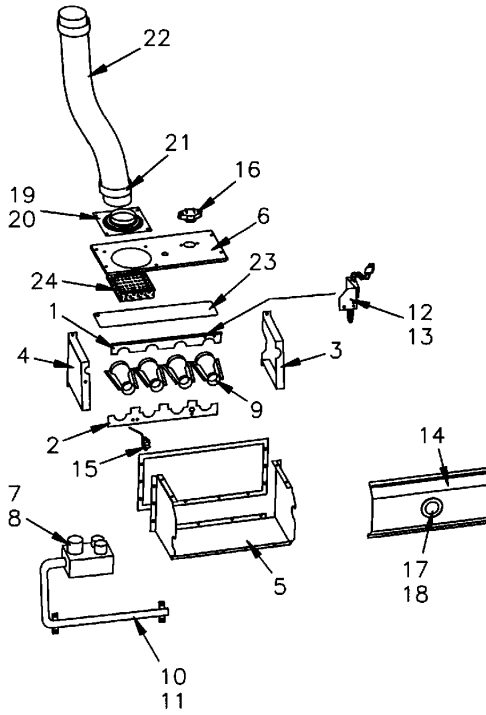


Part No.	Reference No.	Quantity	Description
75000977_FURUP207_313528~P	*		BURNER ASSEMBLY PARTS LIST

Burner Assembly

75000977

REV
A



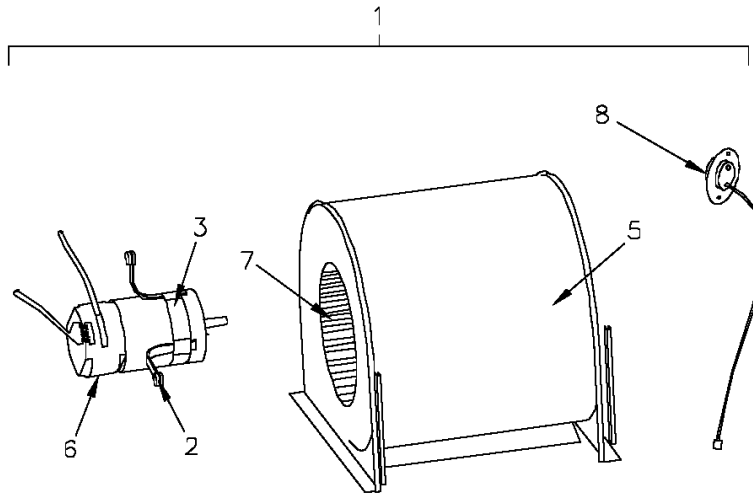
This is a typical illustration. The unit in the field may not appear exactly as shown.

Part No.	Reference No.	Quantity	Description
BRK01962	1	1	BRACKET; TOP
BRK01529	2	1	BRACKET; BURNER
SUP02126	3	1	SUPPORT; BURNER-LEFT HAND
SUP02127	4	1	SUPPORT; BURNER-RIGHT HAND
BOX00605	5	1	BOX;DIRECT VENT
COV03095	6	1	COVER; TOP DIRECT VENT - DOWNFLOW
VAL10381	7	1	VALVE; GAS, 3 STAGE, MODULATING , 24 VOLT, 50/60HZ
BNR01074	9	5	BURNER; ALUMINUM STL, .50 INSERT DIA, TOG-L-LOC
ORF01427	10	5	ORIFICE; SPUD, DRILL #45, BRASS
MFD01212	11	1	MANIFOLD; NPT GAS
IGN00152	12	1	MIN=12/12 IGNITER; SILICON-NITRIDE, 120V, INCLUDES BRACKET AND SCREWS
BRK03336	13	1	BRACKET; SiNi IGNITOR BRACKET
COV04439	14	1	COVER; FRONT ASM DV
SEN01114	15	1	SENSOR; FLAME, NIKROTHAL 80 MATERIAL
SWT03525	16	1	SWITCH; FLAME ROLLOUT, 200 DEGREES F, AUTO RESET, CLOSING TEMP. 150
GLS00820	18	1	GLASS; SIGHT
ADP00446	19	2	ADAPTER; INLET, 3" DIA
GKT03082	20	2	GASKET; INLET, 4.0 X 4.0 NONWOVEN FIBERGLASS
CMP00380	21	2	CLAMP; FLUE STACK
CON00468	22	1	CONNECTOR; FLEX
PLT02216	23	1	PLATE; DEFLECTOR
DIF00178	24	1	DIFFUSER; AIR

Blower Assembly

75008965

REV
A



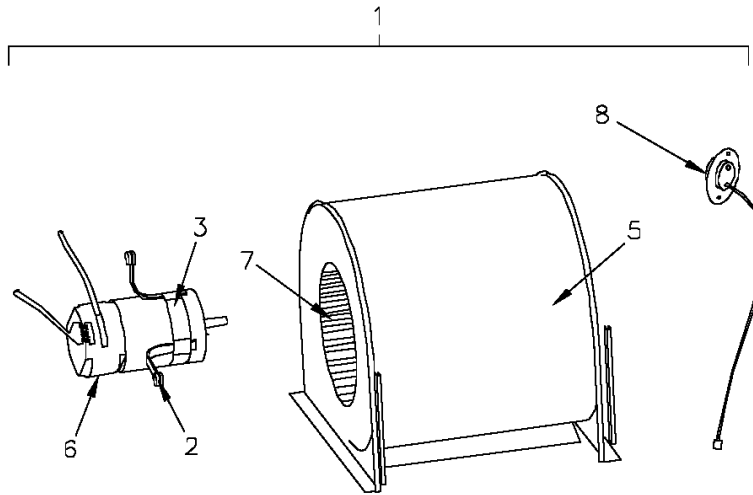
This is a typical illustration. The unit in the field may not appear exactly as shown.

Part No.	Reference No.	Quantity	Description
75008965_FURUP207_313530~P	*		BLOWER ASSEMBLY PARTS LIST

Blower Assembly

75008965

REV
A



This is a typical illustration. The unit in the field may not appear exactly as shown.

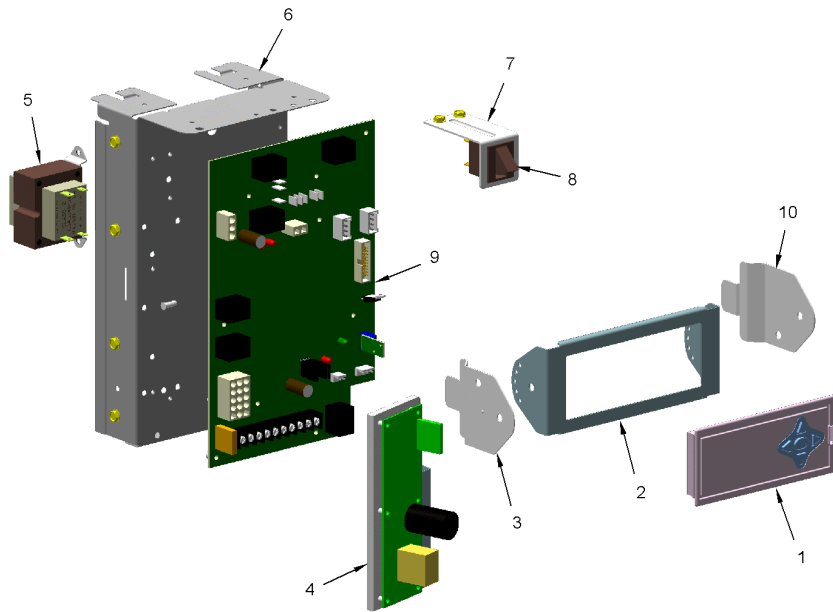
Part No.	Reference No.	Quantity	Description
WIR06895	*	1	WIRE; HARNESS - 2 PIN
BLW01296	1	1	BLOWER; REPLACEMENT BLOWER ASSEMBLY
BRK03795	2	4	BRACKET; MOTOR ARM, 4.31 X 3.00
BND00026	3	1	BAND; MOTOR MOUNT
HUS03093	5	1	HOUSING; BLOWER
MOT14417	6	1	MOTOR; VARIABLE SPEED, 3/4 HP, 120V/240V, 60 HZ, 1250/VAR RPM
WHL01034	7	1	WHEEL; BLOWER, 10.62 DIA X 10.75 WIDTH, CONVEX .50 BORE CW
SWT01649	8	1	SWITCH; REVERSE AIRFLOW, OPEN 105F, CLOSE 95F, 120/240V, 1/4QC TERM

INTEGRATED FURNACE CONTROL

75010797

REV.
A

TYPICAL ILLUSTRATION



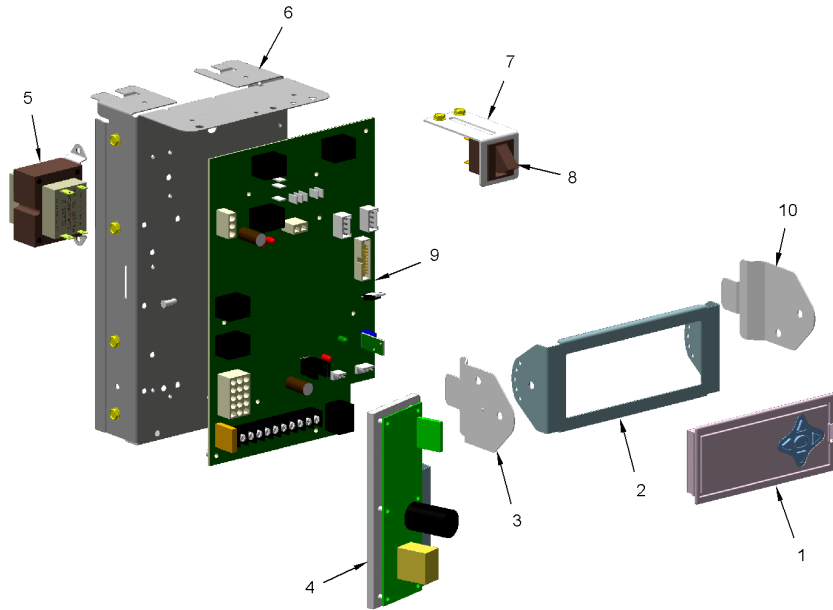
Part No.	Reference No.	Quantity	Description
75010797_FURUP207_144279~P	*		INTEGRATED FURNACE CONTROL PARTS LIST

INTEGRATED FURNACE CONTROL

75010797

REV.
A

TYPICAL ILLUSTRATION



Parts List Number :FUR207#FURUP207

Model Number :TDHMC100ACV4VBC

Part No.	Reference No.	Quantity	Description
SCR00968	*	6	SCREW; 10-16 HEX WASHER, TYPE B, THREAD FORMING SCREW, 0.31 THREAD LENGTH, STEEL W/ZINC FINISH
CNT06058	1	1	CONTROL; USER INTERFACE - DISPLAY ASSEMBLY
BRK03798	2	1	BRACKET; FACE - C, 6.85 X 2.91 INCH
BRK03797	3	1	BRACKET; LEG - C, 2.5" X 3.85"
CNT06883	4	1	CONTROL; VARIABLE SPEED IFC DRIVE ASSEMBLY (VSIM). INCLUDES: CONTROL, BRACKET AND INSULATION
TRR01816	5	1	TRANSFORMER;
MNT02206	6	1	MOUNT; IFC CONTROL PLATFORM
BRK02826	7	1	BRACKET; BLOWER DOOR SWITCH
SWT01714	8	1	SWITCH; DOOR SPST, 21 AMP, 125/250VAC
CNT07080	9	1	CONTROL; INTEGRATED FURNACE CONTROL, MODULATING
BRK03797	10	1	BRACKET; LEG - C, 2.5" X 3.85"

MODEL NUMBER DESCRIPTION	75008940	REV A
<p>FURNACES</p> <p>T U D 1 A 0 8 0 A 9 3 6 1 A A</p> <p>1 2 3 4 5 6 7 8 9 10 11 12 13 14 15</p>		
<p>Digit 1 Brand T = Trane A = American Standard C = Standard</p> <p>Digit 2 Configuration U = Upflow or Upflow / Horizontal H = Horizontal D = Downflow</p> <p>Digit 3 Product Family E = 80% Induced Draft Standard D = 80% Induced Draft Premium C = 90% Condensing Standard 1 or 2 Pipe X = 90% Condensing Premium 1 or 2 Pipe H = 95% Condensing Premium 1 or 2 Pipe</p> <p>Digit 4 Heating Stages 1 = Single Stage 2 = Two Stage 3 = Three Stage M = Modulating</p> <p>Digit 5 A = 14.5" Cabinet Width B = 17.5" Cabinet Width C = 21.0" Cabinet Width D = 24.5" Cabinet Width</p> <p>Digit 6,7,8 Capacity 080 = Heating Input MBTUH</p> <p>Digit 9 Major Modification A = Major Design Change</p>	<p>Digit 10 Voltage 9 = 115 Volts / 60hz / Natural Gas A = 115 Volts / 50hz / Natural Gas C = 115 Volts / 60hz / Natural Gas Communicating System control F = 115 Volts / 60hz / Natural Gas With Integrated Electronic Filter D = 115 Volts / 60hz / Natural Gas With Communicating System & Integrated Electronic Filter</p> <p>Digit 11 & 12 Air Flow 36 = 3 Ton Standard PSC motor H3 = 3 Ton High Efficiency Motor V3 = 3 Ton Variable Speed Motor</p> <p>Digit 13 Draft Inducer Speed 1 = Single Speed 2 = Two Speeds V = Variable Speed</p> <p>Digit 14 Minor Design Change A = Minor Design Change</p> <p>Digit 15 Service Digit A = Service Digit</p>	

Part No.	Reference No.	Quantity	Description
75008940_FURUP207_124595~P	*		MODEL NUMBER DESCRIPTION PARTS LIST

MODEL NUMBER DESCRIPTION	75008940	REV A
FURNACES		
<p>T U D 1 A 0 8 0 A 9 3 6 1 A A</p> <p>1 2 3 4 5 6 7 8 9 10 11 12 13 14 15</p>		
<p>Digit 1 Brand T = Trane A = American Standard C = Standard</p> <p>Digit 2 Configuration U = Upflow or Upflow / Horizontal H = Horizontal D = Downflow</p> <p>Digit 3 Product Family E = 80% Induced Draft Standard D = 80% Induced Draft Premium C = 90% Condensing Standard 1 or 2 Pipe X = 90% Condensing Premium 1 or 2 Pipe H = 95% Condensing Premium 1 or 2 Pipe</p>	<p>Digit 10 Voltage 9 = 115 Volts / 60hz / Natural Gas A = 115 Volts / 50hz / Natural Gas C = 115 Volts / 60hz / Natural Gas Communicating System control F = 115 Volts / 60hz / Natural Gas With Integrated Electronic Filter D = 115 Volts / 60hz / Natural Gas With Communicating System & Integrated Electronic Filter</p> <p>Digit 11 & 12 Air Flow 36 = 3 Ton Standard PSC motor H3 = 3 Ton High Efficiency Motor V3 = 3 Ton Variable Speed Motor</p>	
<p>Digit 4 Heating Stages 1 = Single Stage 2 = Two Stage 3 = Three Stage M = Modulating</p>	<p>Digit 13 Draft Inducer Speed 1 = Single Speed 2 = Two Speeds V = Variable Speed</p>	
<p>Digit 5 A = 14.5" Cabinet Width B = 17.5" Cabinet Width C = 21.0" Cabinet Width D = 24.5" Cabinet Width</p>	<p>Digit 14 Minor Design Change A = Minor Design Change</p>	
<p>Digit 6,7,8 Capacity 080 = Heating Input MBTUH</p>	<p>Digit 15 Service Digit A = Service Digit</p>	
<p>Digit 9 Major Modification A = Major Design Change</p>		

