

<b>Part No.</b>	<b>Reference No.</b>	<b>Quantity</b>	<b>Description</b>
75000677#FURUP182~S	*		BLOWER ASSEMBLY
75000676#FURUP182~S	*		BURNER ASSEMBLY
FUR182_FURUP182_175540~P	*		FURUP182 PARTS LIST
75004163#FURUP182~S	*		GENERAL ASSEMBLY
75007576#FURUP182~S	*		INDUCED BLOWER & FLUE ASSEMBLY
75008227#FURUP182~S	*		MODEL NUMBER NOMENCLATURE

NO GRAPHIC AVAILABLE

75013702

REV  
A

**NO  
GRAPHIC  
AVAILABLE**



Part No.	Reference No.	Quantity	Description
75004163_FURUP182_324790~P	*		GENERAL ASSEMBLY PARTS LIST



Part No.	Reference No.	Quantity	Description
BRK01968	*	2	BRACKET; HEAT EXCHANGER SUPPORT
BRK02173	*	1	BRACKET; INNER BLOWER DOOR DISCONNECT SWITCH
GLS00164	*	1	PLUG; 0.75 MTG HOLE SNAP-IN
PAI00074	*	1	PAINT; SPRAY, SLATE GREY, FULL GLOSS(88) (SHIPPING UOM 12 OZ HAZ)
PLT03685	*	1	PLATE; DOOR MOUNTING, DOWNFLOW, 21.00 CABINET SIZE
SCR00968	*	6	SCREW; 10-16 HEX WASHER, TYPE B, THREAD FORMING SCREW, 0.31 THREAD LENGTH, STEEL W/ZINC FINISH
SWT01714	*	1	SWITCH; DOOR SPST, 21 AMP, 125/250VAC
TIE00026	*	1	TIE; CABLE, 8-1/2IN.
TUB08301	*	1	TUBE; PRESSURE SWITCH, STAINLESS STEEL, .025 O.D. .035 WALL THK.
WIR02360	*	1	WIRE; REPL-WIRING HARNESS ASSEMBLY W/12 PIN MALE CONNECTOR
WIR02705	*	1	WIRE; REPLACEMENT IGNITOR AND INDUCER WIRE HARNESS (4 PIN 1 STAGE HARNESS)
CBT01426	1	1	CABINET; REPLACEMENT WRAPPER ASSEMBLY
EXC01014	2	1	EXCHANGER; HEAT
COV03068	5	1	COVER; REPLACEMENT TOP COVER ASSEMBLY
COV03166	6	2	COVER; PANEL, TOP ONLY
SPG00309	7	1	SPRING; DOOR RETAINER, INCLUDED IN COVER ASSEMBLY
RIV00071	8	5	RIVET; POP, QTY 100 PER BOX COMPLETE COVER ASSEMBLY WILL INCLUDE THIS
CNL01070	9	1	CHANNEL; BOTTOM
DOR02653	10	1	DOOR; BURNER ONLY
PLT03565	11	1	PLATE; NAMEPLATE ASSEMBLY - TRANE
DOR02629	12	1	DOOR; REPLACEMENT BLOWER DOOR ASSEMBLY
DOR02805	13	1	DOOR; BLOWER DOOR
BRK02826	15	1	BRACKET; BLOWER DOOR SWITCH
BAF00899	17	1	BAFFLE; HEAT EXCHANGER
ANG00625	19	2	ANGLE, FILTER RETAINER 15 X .31 GALVANIZED
BRK01574	20	3	BRACKET; CONNECTION, COIL ATTACHMENT, FOR AIR HANDLER CONNECT.
SUP02162	21	1	SUPPORT, FILTER
GRM00836	22	1	GROMMET; WIRE, 2.55 LENGTH X 1.69 WIDTH X .32 THICK
GRM00855	22	1	GROMMET; 1.75 WIDE X .18 THICK, MOLDED CHLOROPRENE, 80 DUROMETER
CNT03798	24	1	CONTROL; IFC, 1-STAGE, SINi
TRR01816	25	1	TRANSFORMER;
SUP04110	26	2	SUPPORT; INNER DOOR
DOR02018	27	1	DOOR; INNER BLOWER
SWT01276	30	1	SWITCH; THERMAL LIMIT, OPEN AT 140, CLOSE AT 110 DEG. F
BOX01499	33	1	BOX; JUNCTION BOX
COV03320	34	1	COVER; JUNCTION BOX COVER
BUS00300	35	1	BUSHING; STRAIN RELIEF
IRT00020	36	5	INSERT; BURNER
SWT02293	37	1	SWITCH; PRESSURE, 1 POLE, N.O., 1/10 HP, 3 FLA, 18 LRA, 120 VAC, OPEN AT -0.45 TO -0.55 WC, CLOSE AT -0.65 (IS2)
HSE00334	38	1	HOSE; PRESSURE SWITCH

Induced Blower and Flue Assembly

75007576

REV  
A



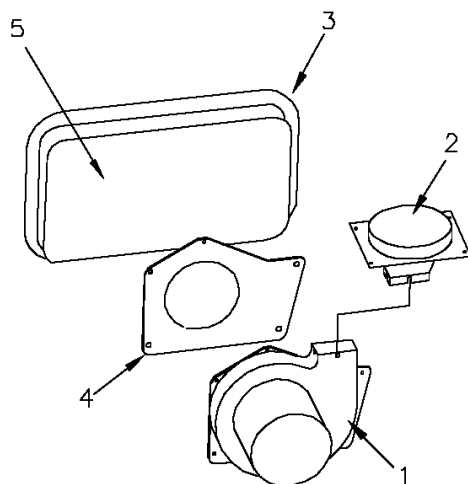
This is a typical illustration. The unit in the field may not appear exactly as shown.

Part No.	Reference No.	Quantity	Description
75007576_FURUP182_324791~P	*		INDUCED BLOWER & FLUE ASSEMBLY PARTS LIST

Induced Blower and Flue Assembly

75007576

REV  
A



This is a typical illustration. The unit in the field may not appear exactly as shown.

## INDUCED BLOWER &amp; FLUE ASSEMBLY PARTS LIST

Parts List Number :FUR182#FURUP182

Model Number :TDD1C100A9541AB

<b>Part No.</b>	<b>Reference No.</b>	<b>Quantity</b>	<b>Description</b>
BLW00869	1	1	BLOWER; INDUCER, 1-STAGE
ADP00336	2	1	ADAPTER; FLUE TRANSITION ASSEMBLY
GKT02605	3	1	GASKET;COLLECTOR BOX
GKT03081	4	1	GASKET; VENTER ASSEMBLY



Part No.	Reference No.	Quantity	Description
75000676_FURUP182_175542~P	*		BURNER ASSEMBLY PARTS LIST



Part No.	Reference No.	Quantity	Description
COV03463	1	1	COVER; BURNER, 15.10 LG
SUP02127	2	1	SUPPORT; BURNER-RIGHT HAND
VAL09029	3	1	VALVE; GAS, SLOW OPENING 1/2-14 NPT, 24V, 50/60 HZ, "J" SERIES
ORF00644	4	5	ORIFICE;SPUD, #45 DRILL
MFD00527	5	1	MANIFOLD; PIPE ASSEMBLY, 5 BURNER
IGN00117	6	1	IGNITOR; INCLUDES SiNi (A341947P01), BRACKET (A341948P02) AND INSTALLER'S GUIDE (X341955P01).
BRK03336	7	1	BRACKET; SiNi IGNITOR BRACKET
SEN01114	8	1	SENSOR; FLAME, NIKROTHAL 80 MATERIAL
BRK01529	9	1	BRACKET; BURNER
BNR01074	10	5	BURNER; ALUMINUM STL, .50 INSERT DIA, TOG-L-LOC
SWT02173	11	2	SWITCH; SWITCH-FLAME ROLLOUT
SUP02126	12	1	SUPPORT; BURNER-LEFT HAND
BRK01962	13	1	BRACKET; TOP

Blower Assembly

75000677

REV  
A



This is a typical illustration. The unit in the field may not appear exactly as shown.

Part No.	Reference No.	Quantity	Description
75000677_FURUP182_324789~P	*		BLOWER ASSEMBLY PARTS LIST

Blower Assembly

75000677

REV  
A



This is a typical illustration. The unit in the field may not appear exactly as shown.

<b>Part No.</b>	<b>Reference No.</b>	<b>Quantity</b>	<b>Description</b>
BLW00684	1	1	BLOWER; REPLACEMENT BLOWER ASSEMBLY
CPT00478	2	1	CAPACITOR; RUN, 15 MFD, 370VAC, OVAL, W/O RESISTOR
SRP00841	3	1	STRAP;
HUS03435	5	1	HOUSING; REPLACEMENT BLOWER HOUSING ASSEMBLY
MOT11992	6	1	MOTOR; 1/2 HP, 115/60/1, 1075 RPM, TYPE PSC, 48 FRM, CCW, SLEEVE BRG, 15 MFD @ 370V, INCLUDES RESILIENT RINGS
BRK00690	8	1	BRACKET; ASSEMBLY, SHORT, 4.06 X 2.31, INCLUDES RING CUP
BRK00691	8	1	BRACKET; ASSEMBLY, LONG, 5.00 X 2.39, INCLUDES RING CUP
SUP03399	9	3	SUPPORT; HANGER
WHL02057	10	1	WHEEL; BLOWER, 11.7 X 10.6, .50 BORE, CW ROTATION
SWT01655	11	1	SWITCH; REVERSE FLOW, OPEN 125F CLOSE 115F

MODEL NUMBER DESCRIPTION		75008227	REV A
FURNACES			
T U D 1 A 0 8 0 A 9 3 6 1 A A 1 2 3 4 5 6 7 8 9 10 11 12 13 14 15			
<p><b>Digit 1</b>            Brand            T = Trane            A = American Standard            C = STANDARD</p> <p><b>Digit 2</b>            Configuration            H = Horizontal            U = Upflow or Upflow/Horizontal            D = Downflow or Downflow/Horizontal            M = Multipoise 4-Way</p> <p><b>Digit 3</b>            Product Family            B = 80% Induced Draft Standard                "Tradenames"            E = 80% Induced Draft Standard            D = 80% Induced Draft Premium            C = 90% Condensing 1 Pipe            X = 90% Direct Vent 1 or 2 Pipe</p> <p><b>Digit 4</b>            Heating Stages            1 = Single Stage            2 = Two Stage            3 = Three Stage            V = Modulating</p> <p><b>Digit 5</b>            Cabinet Width            A = 14.5" Cabinet Width            B = 17.5" Cabinet Width            C = 21.0" Cabinet Width            D = 24.5" Cabinet Width</p> <p><b>Digits 6,7,8</b>            Capacity            080 = Heating Input MBTUH</p>	<p><b>Digit 9</b>            Major Modification            A = Major Design Change</p> <p><b>Digit 10</b>            Voltage            9 = 115 Volts / Natural Gas            F = 115 Volts / Natural Gas with Integrated Electronic Filter</p> <p><b>Digits 11 &amp; 12</b>            Airflow-Blower Type            36 = 3 Ton Standard PSC Motor            H3 = 3 Ton High Efficiency Motor            V3 = 3 Ton Variable Speed Motor</p> <p><b>Digit 13</b>            Draft Inducer Speed            1 = Single Speed            2 = Two speed            V = Variable Speed</p> <p><b>Digit 14</b>            Minor Modification            A = Minor Design Change</p> <p><b>Digit 15</b>            Service Digit            A = Service Digit</p>		

Part No.	Reference No.	Quantity	Description
75008227_FURUP182_175550~P	*		MODEL NUMBER NOMENCLATURE PARTS LIST

MODEL NUMBER DESCRIPTION		75008227	REV A
FURNACES			
T U D 1 A 0 8 0 A 9 3 6 1 A A 1 2 3 4 5 6 7 8 9 10 11 12 13 14 15			
<p>Digit 1 Brand T = Trane A = American Standard C = STANDARD</p> <p>Digit 2 Configuration H = Horizontal U = Upflow or Upflow/Horizontal D = Downflow or Downflow/Horizontal M = Multiphase 4-Way</p> <p>Digit 3 Product Family B = 80% Induced Draft Standard "Tradenames" E = 80% Induced Draft Standard D = 80% Induced Draft Premium C = 90% Condensing 1 Pipe X = 90% Direct Vent 1 or 2 Pipe</p> <p>Digit 4 Heating Stages 1 = Single Stage 2 = Two Stage 3 = Three Stage V = Modulating</p> <p>Digit 5 Cabinet Width A = 14.5" Cabinet Width B = 17.5" Cabinet Width C = 21.0" Cabinet Width D = 24.5" Cabinet Width</p> <p>Digits 6,7,8 Capacity 080 = Heating Input MBTUH</p>	<p>Digit 9 Major Modification A = Major Design Change</p> <p>Digit 10 Voltage 9 = 115 Volts / Natural Gas F = 115 Volts / Natural Gas with Integrated Electronic Filter</p> <p>Digits 11 &amp; 12 Airflow-Blower Type 36 = 3 Ton Standard PSC Motor H3 = 3 Ton High Efficiency Motor V3 = 3 Ton Variable Speed Motor</p> <p>Digit 13 Draft Inducer Speed 1 = Single Speed 2 = Two speed V = Variable Speed</p> <p>Digit 14 Minor Modification A = Minor Design Change</p> <p>Digit 15 Service Digit A = Service Digit</p>		

Parts List Number :FUR182#FURUP182

Model Number :TDD1C100A9541AB