

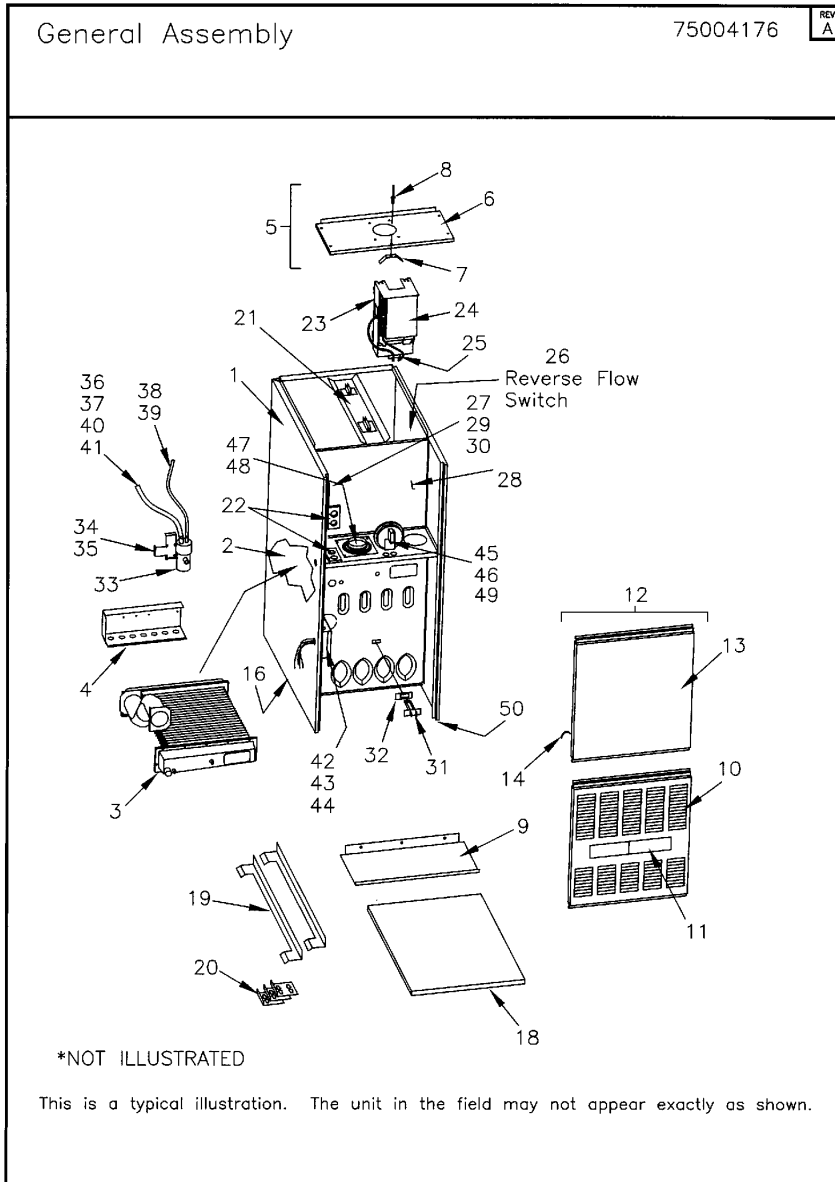
Part No.	Reference No.	Quantity	Description
75000660#FURUP159~S	*		BLOWER ASSEMBLY
75000977#FURUP159~S	*		BURNER ASSEMBLY
FUR159_FURUP159_167426~P	*		FURUP159 PARTS LIST
75004176#FURUP159~S	*		GENERAL ASSEMBLY
75000978#FURUP159~S	*		INDUCED BLOWER AND FLUE ASSEMBLY
75008227#FURUP159~S	*		MODEL NUMBER NOMENCLATURE

NO GRAPHIC AVAILABLE

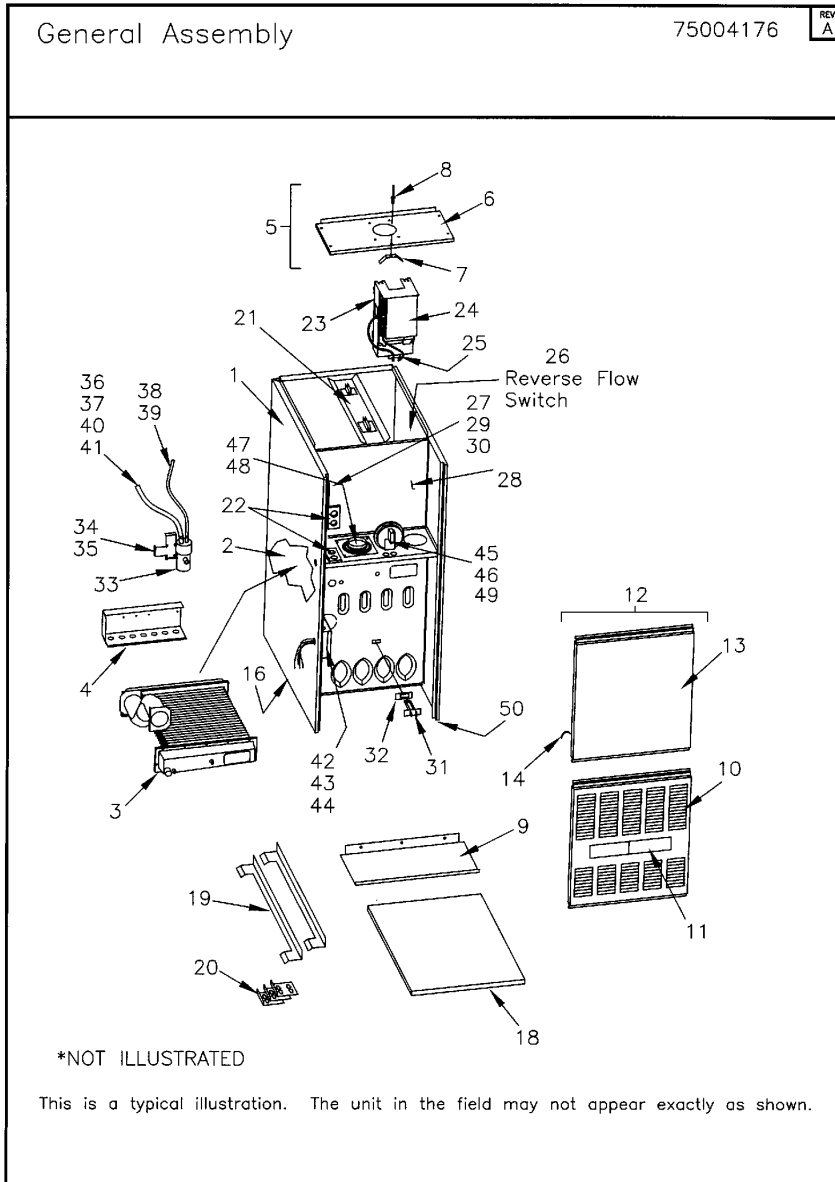
75013702

REV
A

**NO
GRAPHIC
AVAILABLE**

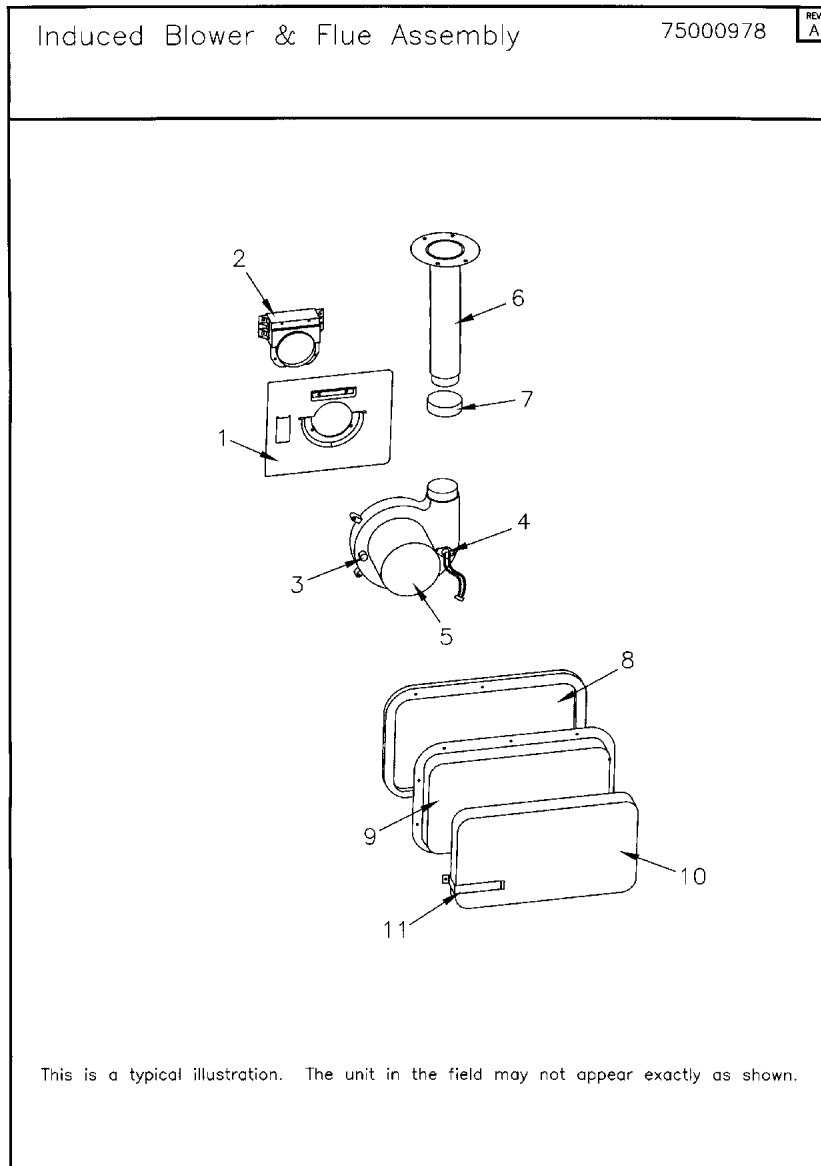


Part No.	Reference No.	Quantity	Description
75004176_FURUP159_367887~P	*		GENERAL ASSEMBLY PARTS LIST



Part No.	Reference No.	Quantity	Description
BUS00324	*	1	BUSHING; SNAP, .562 OD, .50 MOUNTING HOLE DIAMETER, BLACK NYLON .135 THICK
CON00336	*	1	CONNECTOR; (BARB TUBE)
CON00374	*	1	CONNECTOR; 12 PIN MALE
CPL00938	*	1	COUPLING; REDUCING COUPLING ASSEMBLY - INCLUDES C341097P01 (CPL00838) AND A341677P01 (POLYPROPYLENE PAD). 2.00 TO 3.0 WHITE PVC COUPLING ADAPTER.
FUS01089	*	1	FUSE; 5 AMP, TAN, AUTOMOTIVE STYLE
GRM00837	*	1	GROMMET; ENTRY SEAL
SHD00241	*	1	SHIELD; RADIATION
TUB08057	*	1	TUBE; MALE TRANSFER NOT FIELD REPLACEABLE, PART OF RECOUP CELL
TUB08186	*	1	TUBE; FEMALE TRANSFER NOT FIELD REPLACEABLE, PART OF RECOUP COIL CELL
TUB11760	*	1	TUBE; CONDENSATE TUBE ASSEMBLY, TRAP TO FURNACE CABINET (FIELD CONNECTION). INCLUDES HOSE, CLAMP, BARBED ADAPTER AND COUPLING.
WIR04589	*	1	WIRE; HARNESS ASSEMBLY, INCLUDING INDUCER/IGNITOR HARNESS W/4 PIN MALE CONNECTOR AND CONTROL HARNESS W/12 PIN MALE CONNECTOR.
CBT01517	1	1	CABINET; REPLACEMENT WRAPPER ASSEMBLY
EXC01973	2	1	EXCHANGER; HEAT EXCHANGER WITH RCT00851
COL09285	3	1	COIL; RECOUP ASSEMBLY
SUP02609	4	1	SUPPORT; HEAT EXCHANGER
COV02148	5	1	COVER; TOP ASSEMBLY
COV02248	6	1	COVER; TOP COVER ONLY. COMPLETE ASM. IS COV02148. PAINTED.
SPG00309	7	1	SPRING; DOOR RETAINER, INCLUDED IN COVER ASSEMBLY
RIV00071	8	1	RIVET; POP. QTY 100 PER BOX COMPLETE COVER ASSEMBLY WILL INCLUDE THIS
CNL01069	9	1	CHANNEL; BOTTOM
DOR03123	10	1	DOOR; BURNER, LOUVERED. COLOR: POLYSLATE GRAY, 19.96 X 16.63
PLT04235	11	1	PLATE; TRANE XB APPEARANCE NAMEPLATE, 6.00 X 1.46
DOR02129	12	1	DOOR; REPLACEMENT BLOWER DOOR ASSEMBLY
DOR01160	13	1	DOOR; FURNACE DOOR ONLY.
CLP00884	14	1	CLIP; ACCESS PANEL
GLS00164	14	1	PLUG; 0.75 MTG HOLE SNAP-IN
BAF00877	16	1	BAFFLE;
ANG00625	19	2	ANGLE, FILTER RETAINER 15 X .31 GALVANIZED
BRK01574	20	3	BRACKET; CONNECTION, COIL ATTACHMENT, FOR AIR HANDLER CONNECT.
SUP02162	21	1	SUPPORT, FILTER
GRM00836	22	1	GROMMET; WIRE, 2.55 LENGTH X 1.69 WIDTH X .32 THICK
GRM00855	22	1	GROMMET; 1.75 WIDE X .18 THICK, MOLDED CHLOROPRENE, 80 DUROMETER
MNT02206	23	1	MOUNT; IFC CONTROL PLATFORM
CNT02891	24	1	CONTROL; IFC
TRR01816	25	1	TRANSFORMER;
SWT00771	26	1	SWITCH; LIMIT, OPEN:125 DEG F/CLOSE:115 DEG F, 125 VOLT AMP 120-240 VAC PILOT DUTY
BRK02173	27	1	BRACKET; INNER BLOWER DOOR DISCONNECT SWITCH
BRK02826	27	1	BRACKET; BLOWER DOOR SWITCH
SWT01714	27	1	SWITCH; DOOR SPST, 21 AMP, 125/250VAC
DOR01238	28	1	DOOR; INNER BLOWER
SUP04110	30	2	SUPPORT; INNER DOOR
SWT01652	31	1	SWITCH; THERMAL LIMIT, OPEN AT 230F, CLOSE AT 200F, 5.8 FLA @ 120V
GKT03506	32	1	GASKET; LIMIT SWITCH
TRP00007	33	1	TRAP; CANNISTER
TUB11757	36	1	TUBE; CONDENSATE TUBE ASSEMBLY, COLD HEADER TO CANNISTER TRAP. ASSEMBLY INCLUDES HOSE AND CLAMP.

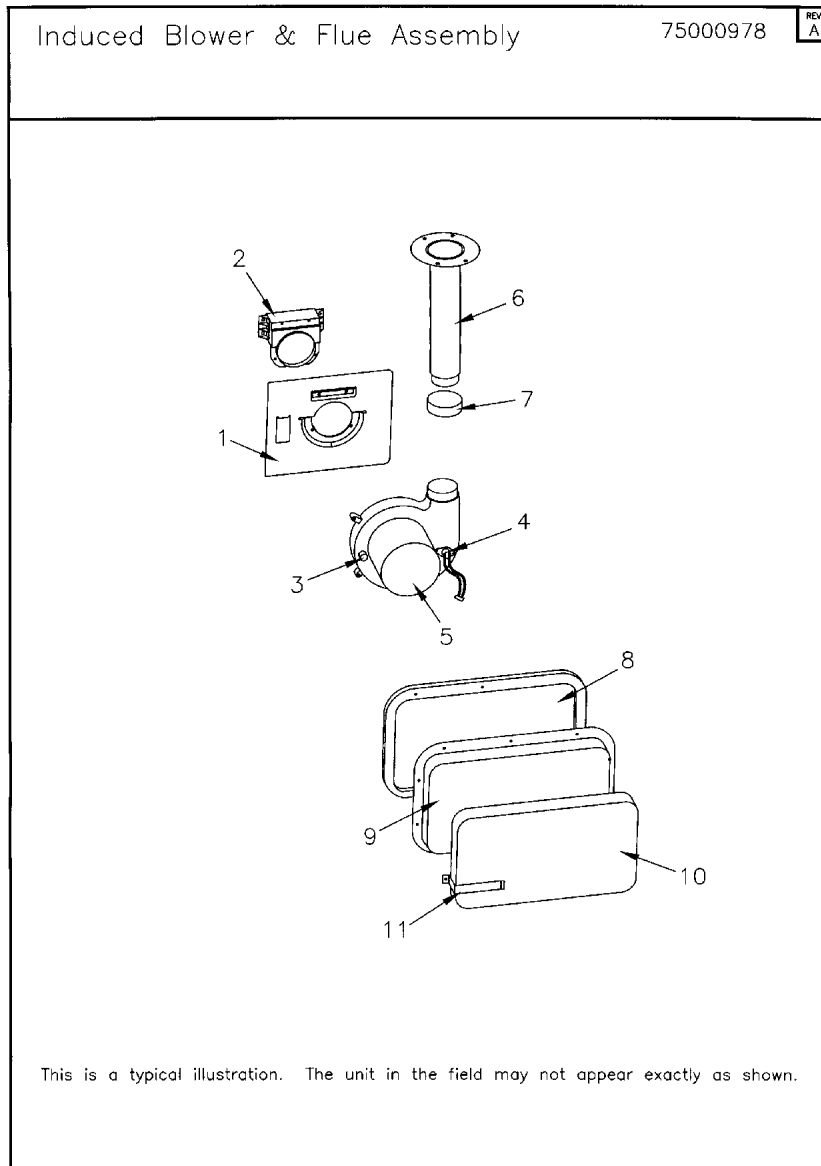
Part No.	Reference No.	Quantity	Description
TUB11754	39	1	TUBE; CONDENSATE TUBE ASSEMBLY, INDUCER TO CANISTER TRAP. INCLUDES HOSE AND CLAMP.
BOX01499	42	1	BOX; JUNCTION BOX
COV03320	43	1	COVER; JUNCTION BOX COVER
BUS00300	44	1	BUSHING; STRAIN RELIEF
SWT02965	45	1	SWITCH; PRESSURE, 28 VA PILOT DUTY 24 VAC, 125 VA PILOT DUTY 120 VAC. , 1/10 HP, 3 FLA, 18 LRA 24 VAC. OPEN AT -1.25 WC, CLOSE AT -1.44 WC
ADP00446	48	2	ADAPTER; INLET, 3" DIA
BAF00854	50	1	BAFFLE; HEAT EXCHANGER



Parts List Number :FUR159#FURUP159

Model Number :TDC1B040A9241AB

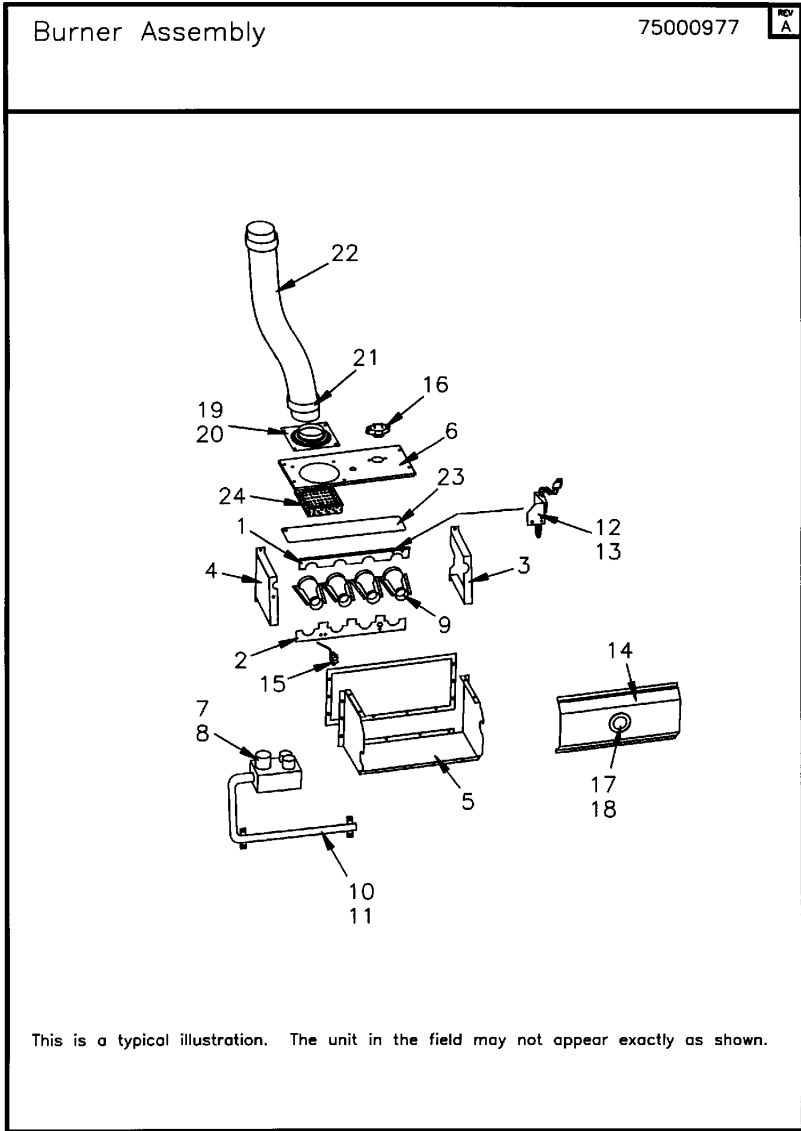
Part No.	Reference No.	Quantity	Description
75000978_FURUP159_324613~P	*		INDUCED BLOWER AND FLUE ASSEMBLY PARTS LIST



Parts List Number :FUR159#FURUP159

Model Number :TDC1B040A9241AB

Part No.	Reference No.	Quantity	Description
MNT02266	1	1	MOUNT; INDUCER MOTOR MOUNTING PLATE, GALVANIZED STEEL
RCT00851	2	1	RECEPTACLE; TRANSITION INCLUDING FOUR MOUNTING SCREWS
CAP00453	3	1	CAP; VINYL
SWT02686	4	1	SWITCH; LIMIT INDUCER, OPEN 155, CLOSE 125 DEG F
BLW00862	5	1	BLOWER; INDUCER DRAFT, 1-STAGE
PIP00365	6	1	PIPE; FLUE, MOLDED
CMP00381	7	1	CLAMP; FLUE STACK PIPE TO INDUCED BLOWER
GKT02604	8	1	GASKET;COLLECTOR BOX
BOX00579	9	1	BOX; FLUE COLLECTOR
INS01972	10	1	INSULATION; COLLECTOR BOX

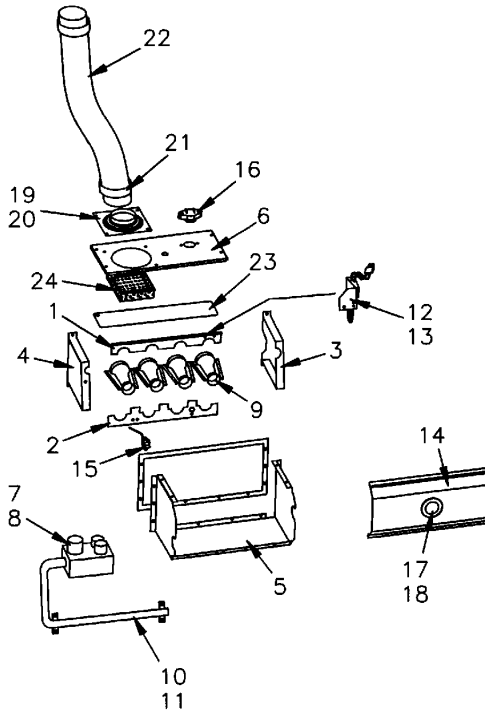


Part No.	Reference No.	Quantity	Description
75000977_FURUP159_367886~P	*		BURNER ASSEMBLY PARTS LIST

Burner Assembly

75000977

REV
A



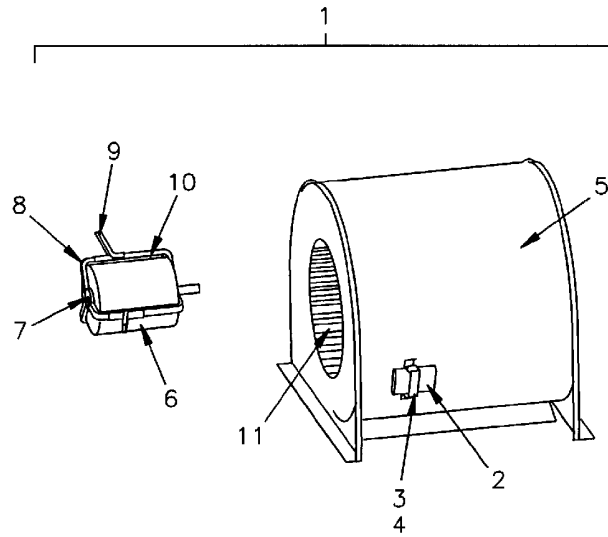
This is a typical illustration. The unit in the field may not appear exactly as shown.

Part No.	Reference No.	Quantity	Description
BRK01959	1	1	BRACKET; TOP
BRK01526	2	1	BRACKET; BURNER
SUP02127	3	1	SUPPORT; BURNER-RIGHT HAND
SUP02126	4	1	SUPPORT; BURNER-LEFT HAND
BOX00604	5	1	BOX;DIRECT VENT
COV03094	6	1	COVER; TOP DIRECT VENT - DOWNFLOW
VAL07731	7	1	VALVE; GAS CONTROL WITH BARBED FITTING, FAST OPEN, 24V, 50/60 HZ, 1/2 NPT INLET AND OUTLET
PIP00343	8	1	PIPE; COMPOUND
BNR01074	9	2	BURNER; ALUMINUM STL, .50 INSERT DIA, TOG-L-LOC
ORF00644	10	2	ORIFICE;SPUD, #45 DRILL
MFD00904	11	1	MANIFOLD; GAS
IGN00054	12	1	IGNITOR; HOT SURFACE, 120V AT 3.5 AMP
SUP03418	13	1	SUPPORT; IGNITOR
COV03010	14	1	COVER; FRONT, D.V.
SEN01114	15	1	SENSOR; FLAME, NIKROTHAL 80 MATERIAL
SWT02124	16	1	SWITCH; SWITCH-FLAME ROLLOUT, 82 DEGREES C, 180 DEGREES F, NON-TRIP FREE, 5.8 FLA, 34.8 LRA AT 120 VAC, 24 VAC, MANUAL RESET, FIXED TEMPERATURE THERMOSTAT AND NON-ADJUSTABLE.
GLS00820	18	1	GLASS; SIGHT
GKT03082	19	2	GASKET; INLET, 4.0 X 4.0 NONWOVEN FIBERGLASS
ADP00446	20	2	ADAPTER; INLET, 3" DIA
CMP00380	21	2	CLAMP; FLUE STACK
CON00468	22	1	CONNECTOR; FLEX
PLT02218	23	1	PLATE; DEFLECTOR
DIF00178	24	1	DIFFUSER; AIR

Blower Assembly

75000660

REV
A



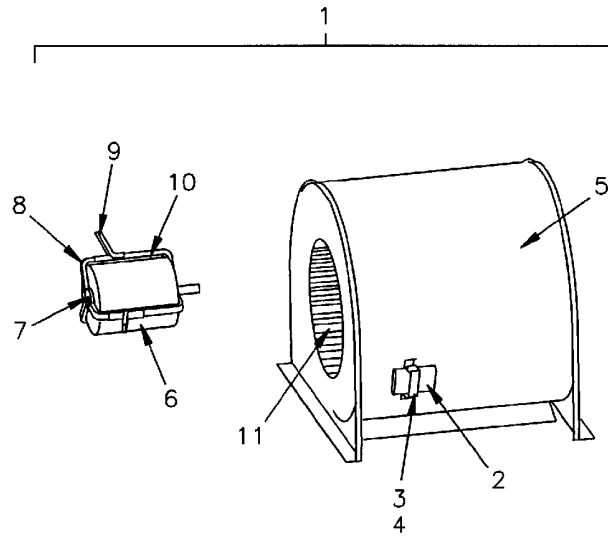
This is a typical illustration. The unit in the field may not appear exactly as shown.

Part No.	Reference No.	Quantity	Description
75000660_FURUP159_367885~P	*		BLOWER ASSEMBLY PARTS LIST

Blower Assembly

75000660

REV
A



This is a typical illustration. The unit in the field may not appear exactly as shown.

Part No.	Reference No.	Quantity	Description
BLW00496	1	1	BLOWER;COMPLETE ASSEMBLY
CPT00477	2	1	CAPACITOR; RUN, 7.5 MFD, 370VAC, OVAL, W/O RESISTOR
SRP00841	3	1	STRAP;
HUS01568	5	1	HOUSING;BLOWER ASSEMBLY
MOT07614	6	1	MOTOR; 1/5 HP, 115/60/1, 1080RPM,48FRM,TYPE PSC, SLEEVE BEARING, 7.5 MFD AT 370V, CCW, W/RESILIENT RING
BRK00690	8	1	BRACKET; ASSEMBLY, SHORT, 4.06 X 2.31, INCLUDES RING CUP
SUP03399	9	3	SUPPORT; HANGER
BRK00691	10	1	BRACKET; ASSEMBLY, LONG, 5.00 X 2.39, INCLUDES RING CUP
WHL02353	11	1	WHEEL; BLOWER, 48 BLADES, CW, CONCAVE DISC, 10 X 7

MODEL NUMBER DESCRIPTION		75008227	REV A
FURNACES			
T U D 1 A 0 8 0 A 9 3 6 1 A A 1 2 3 4 5 6 7 8 9 10 11 12 13 14 15			
<p>Digit 1 Brand T = Trane A = American Standard C = STANDARD</p> <p>Digit 2 Configuration H = Horizontal U = Upflow or Upflow/Horizontal D = Downflow or Downflow/Horizontal M = Multiphase 4-Way</p> <p>Digit 3 Product Family B = 80% Induced Draft Standard "Tradenames" E = 80% Induced Draft Standard D = 80% Induced Draft Premium C = 90% Condensing 1 Pipe X = 90% Direct Vent 1 or 2 Pipe</p> <p>Digit 4 Heating Stages 1 = Single Stage 2 = Two Stage 3 = Three Stage V = Modulating</p> <p>Digit 5 Cabinet Width A = 14.5" Cabinet Width B = 17.5" Cabinet Width C = 21.0" Cabinet Width D = 24.5" Cabinet Width</p> <p>Digits 6,7,8 Capacity 080 = Heating Input MBTUH</p>	<p>Digit 9 Major Modification A = Major Design Change</p> <p>Digit 10 Voltage 9 = 115 Volts / Natural Gas F = 115 Volts / Natural Gas with Integrated Electronic Filter</p> <p>Digits 11 & 12 Airflow-Blower Type 36 = 3 Ton Standard PSC Motor H3 = 3 Ton High Efficiency Motor V3 = 3 Ton Variable Speed Motor</p> <p>Digit 13 Draft Inducer Speed 1 = Single Speed 2 = Two speed V = Variable Speed</p> <p>Digit 14 Minor Modification A = Minor Design Change</p> <p>Digit 15 Service Digit A = Service Digit</p>		

Part No.	Reference No.	Quantity	Description
75008227_FURUP159_167432~P	*		MODEL NUMBER NOMENCLATURE PARTS LIST

MODEL NUMBER DESCRIPTION		75008227	REV A
FURNACES			
T U D 1 A 0 8 0 A 9 3 6 1 A A 1 2 3 4 5 6 7 8 9 10 11 12 13 14 15			
<p>Digit 1 Brand T = Trane A = American Standard C = STANDARD</p> <p>Digit 2 Configuration H = Horizontal U = Upflow or Upflow/Horizontal D = Downflow or Downflow/Horizontal M = Multiphase 4-Way</p> <p>Digit 3 Product Family B = 80% Induced Draft Standard "Tradenames" E = 80% Induced Draft Standard D = 80% Induced Draft Premium C = 90% Condensing 1 Pipe X = 90% Direct Vent 1 or 2 Pipe</p> <p>Digit 4 Heating Stages 1 = Single Stage 2 = Two Stage 3 = Three Stage V = Modulating</p> <p>Digit 5 Cabinet Width A = 14.5" Cabinet Width B = 17.5" Cabinet Width C = 21.0" Cabinet Width D = 24.5" Cabinet Width</p> <p>Digits 6,7,8 Capacity 080 = Heating Input MBTUH</p>	<p>Digit 9 Major Modification A = Major Design Change</p> <p>Digit 10 Voltage 9 = 115 Volts / Natural Gas F = 115 Volts / Natural Gas with Integrated Electronic Filter</p> <p>Digits 11 & 12 Airflow-Blower Type 36 = 3 Ton Standard PSC Motor H3 = 3 Ton High Efficiency Motor V3 = 3 Ton Variable Speed Motor</p> <p>Digit 13 Draft Inducer Speed 1 = Single Speed 2 = Two speed V = Variable Speed</p> <p>Digit 14 Minor Modification A = Minor Design Change</p> <p>Digit 15 Service Digit A = Service Digit</p>		

Parts List Number :FUR159#FURUP159

Model Number :TDC1B040A9241AB