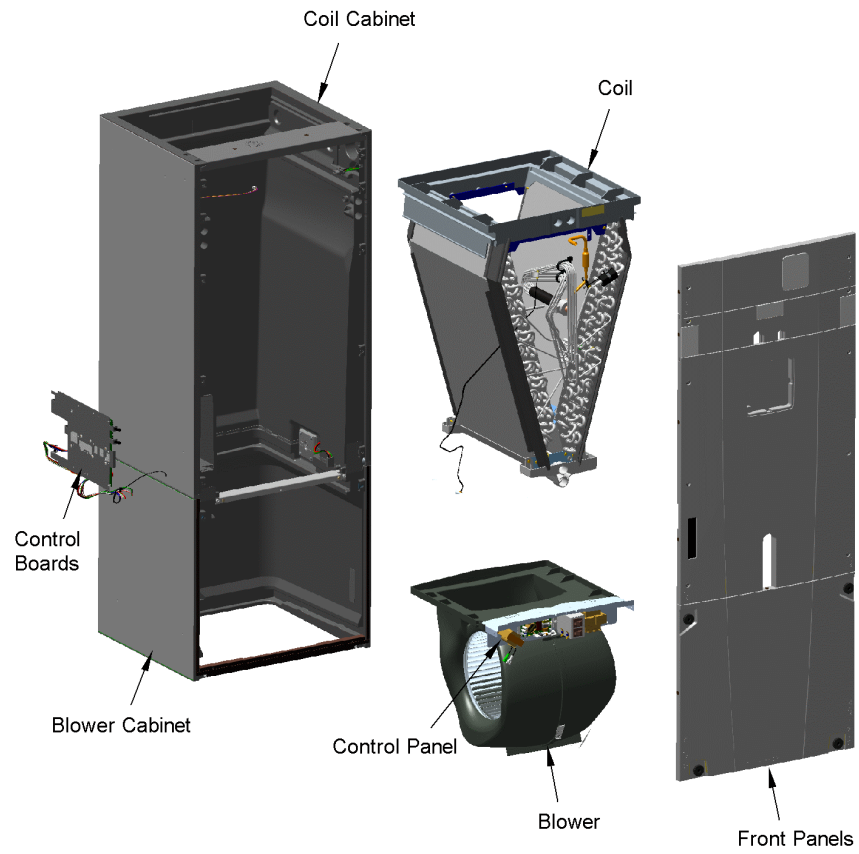


AIR HANDLER  
Communicating

75012064

REV.  
A



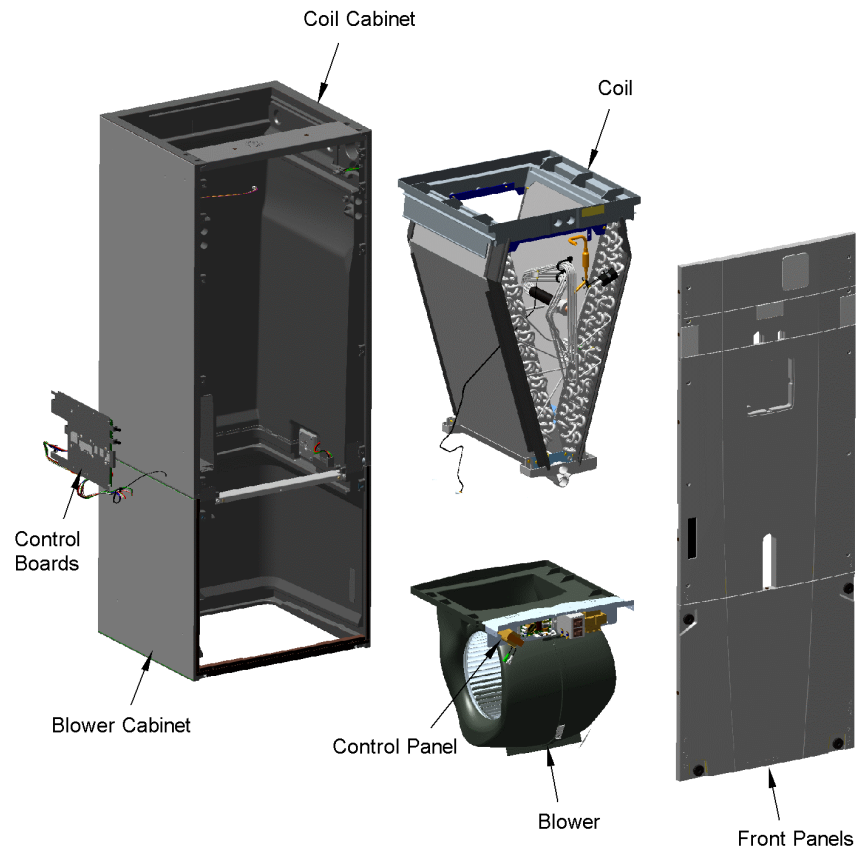
This is a typical illustration. The unit in the field may not appear exactly as shown.

<b>Part No.</b>	<b>Reference No.</b>	<b>Quantity</b>	<b>Description</b>
75012064_TAM9AUP1_152824~P	*		AIR HANDLER - COMMUNICATING PARTS LIST
75010504#TAM9AUP1~S	*		BLOWER
75012047#TAM9AUP1~S	*		CABINET - BLOWER
75012046#TAM9AUP1~S	*		CABINET - COIL
75012048#TAM9AUP1~S	*		CABINET - FRONT PANELS
75012059#TAM9AUP1~S	*		CABINET - LV/HEAT & HV/POWER HARNESSSES
75012065#TAM9AUP1~S	*		COIL
75012063#TAM9AUP1~S	*		CONTROL BOARDS
75012062#TAM9AUP1~S	*		CONTROL PANEL
75010531#TAM9AUP1~S	*		MODEL NUMBER DESCRIPTION
OPTIONS#TAM9AUP1~S	*		OPTIONAL ACCESSORIES

AIR HANDLER  
Communicating

75012064

REV.  
A



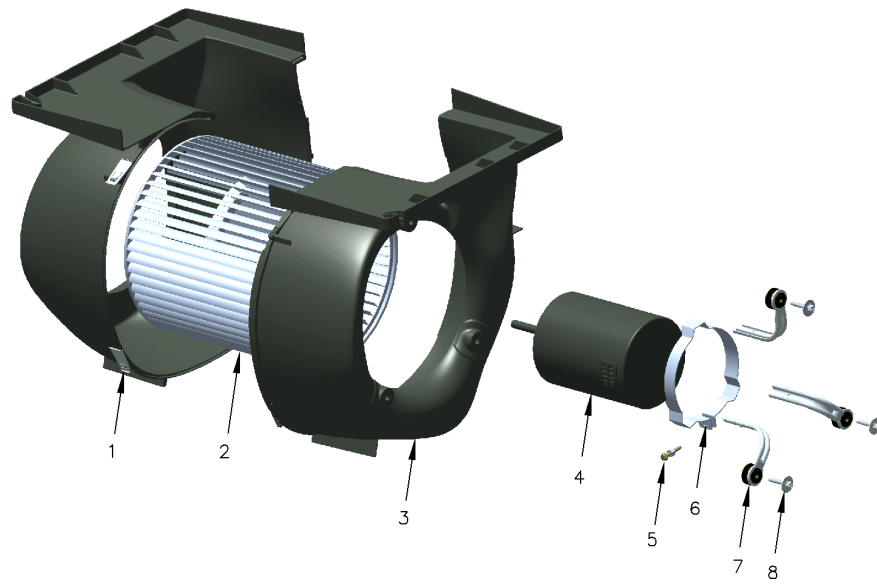
This is a typical illustration. The unit in the field may not appear exactly as shown.

BLOWER

75010504

REV  
A

TYPICAL ILLUSTRATION



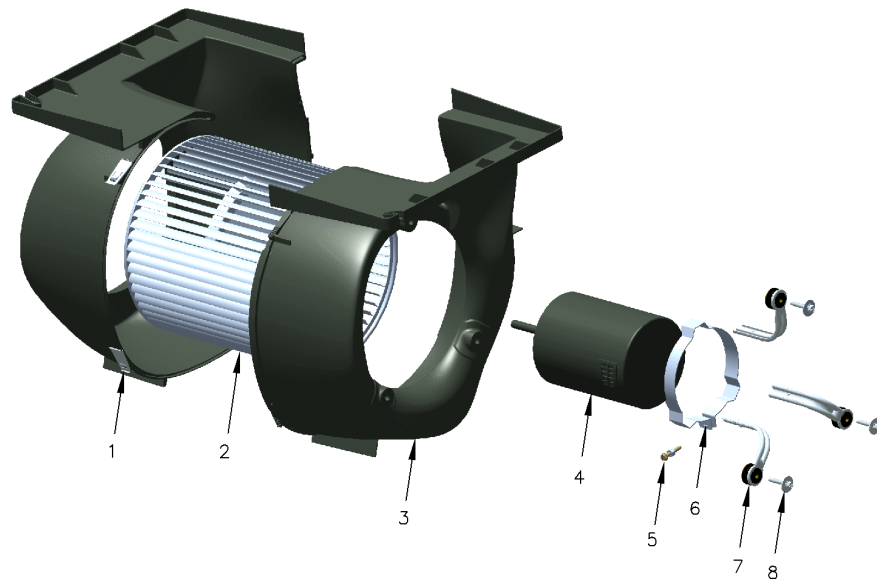
Part No.	Reference No.	Quantity	Description
75010504_TAM9AUP1_211929-P	*		BLOWER PARTS LIST

BLOWER

75010504

REV  
A

TYPICAL ILLUSTRATION

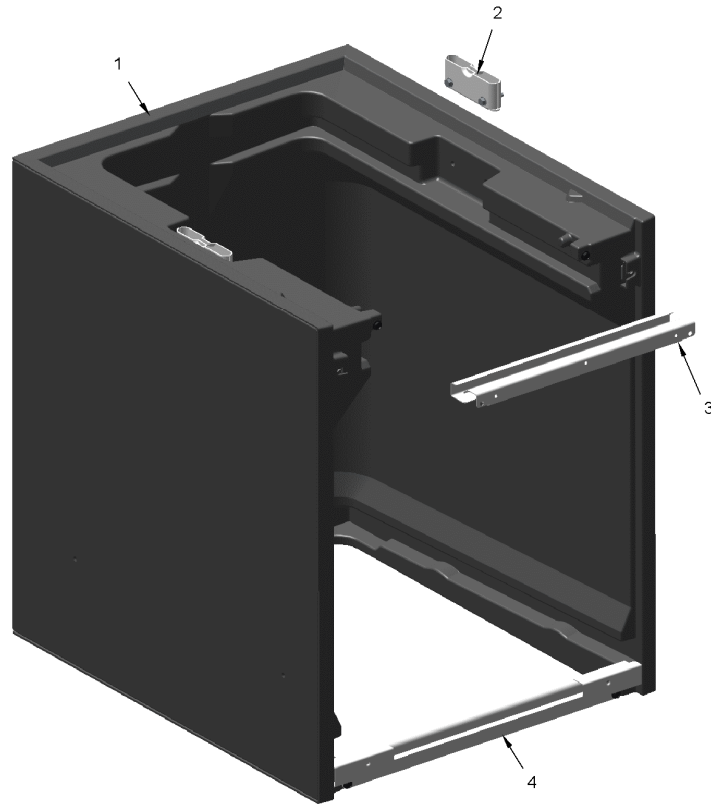


<b>Part No.</b>	<b>Reference No.</b>	<b>Quantity</b>	<b>Description</b>
CLP01123	1	4	CLIP; CLEAT-BLOWER
WHL02915	2	1	WHEEL; BLOWER, 11.7 IN DIA X 10.6 IN WIDE, 0.50 IN BORE, CW ROTATION
HUS03894	3	1	HOUSING; MOLDED BLOWER, INCLUDES LEFT & RIGHT MOLDED HALF & CLP01123 QTY OF 5
MOT17770	4	1	MOTOR; 3/4 HP, VARIABLE SPEED, 208-240 VAC, 1200 RPM, NEMA 48 FRAME
NUT01063	5	1	NUT; LOCKING NYLON
SCR01584	5	1	BOLT; 1/4-20 MA HX 1.5 S
BND00806	6	1	BAND; MOTOR MOUNT, 3-LEG
BRK04208	7	3	BRACKET; MOTOR-ARM
SCR02112	8	3	SCREW; ASSEMBLY-MOTOR MOUNT

CABINET - BLOWER

75012047

REV.  
A



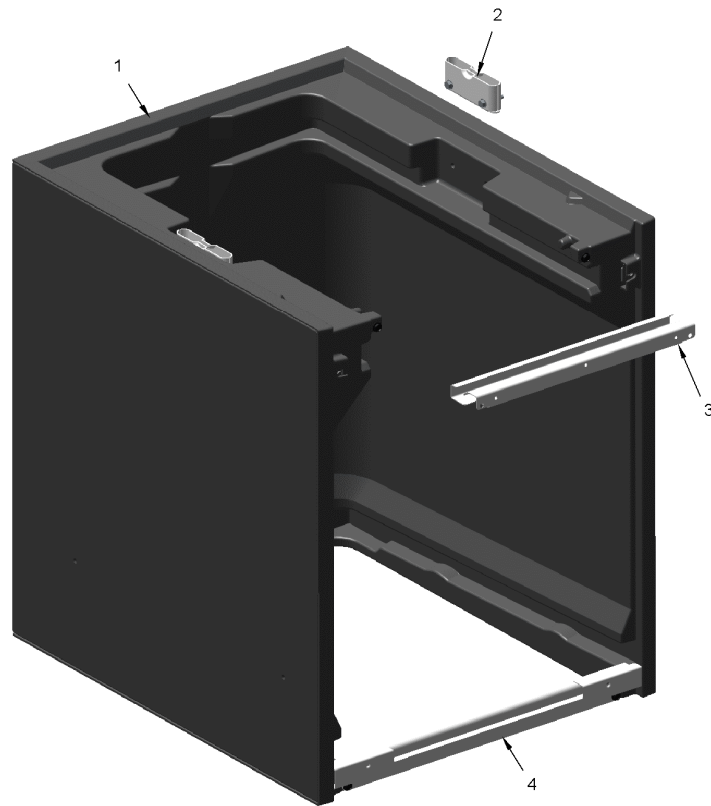
This is a typical illustration. The unit in the field may not appear exactly as shown.

Part No.	Reference No.	Quantity	Description
75012047_TAM9AUP1_152828-P	*		CABINET - BLOWER PARTS LIST

CABINET - BLOWER

75012047

REV.  
A



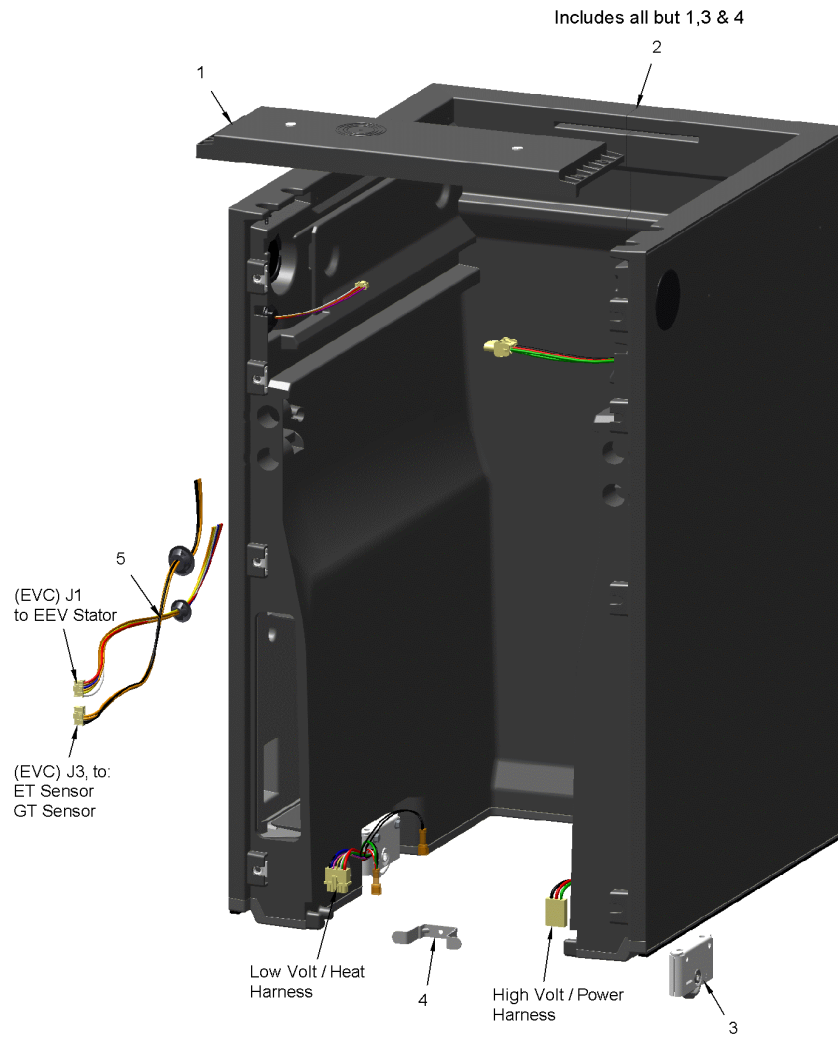
This is a typical illustration. The unit in the field may not appear exactly as shown.

<b>Part No.</b>	<b>Reference No.</b>	<b>Quantity</b>	<b>Description</b>
CBT01631	1	1	CAB-BLOWER; C; SUB
LAT00885	2	2	LATCH; RECEPTACLE ROTARY
CBT01789	3	1	SUPPORT; CABINET CROSSBAR
BRK04548	4	1	BRACKET; CROSS BAR LOWER

CABINET - COIL

75012046

REV.  
A



This is a typical illustration. The unit in the field may not appear exactly as shown.

Parts List Number :75012064#TAM9AUP1

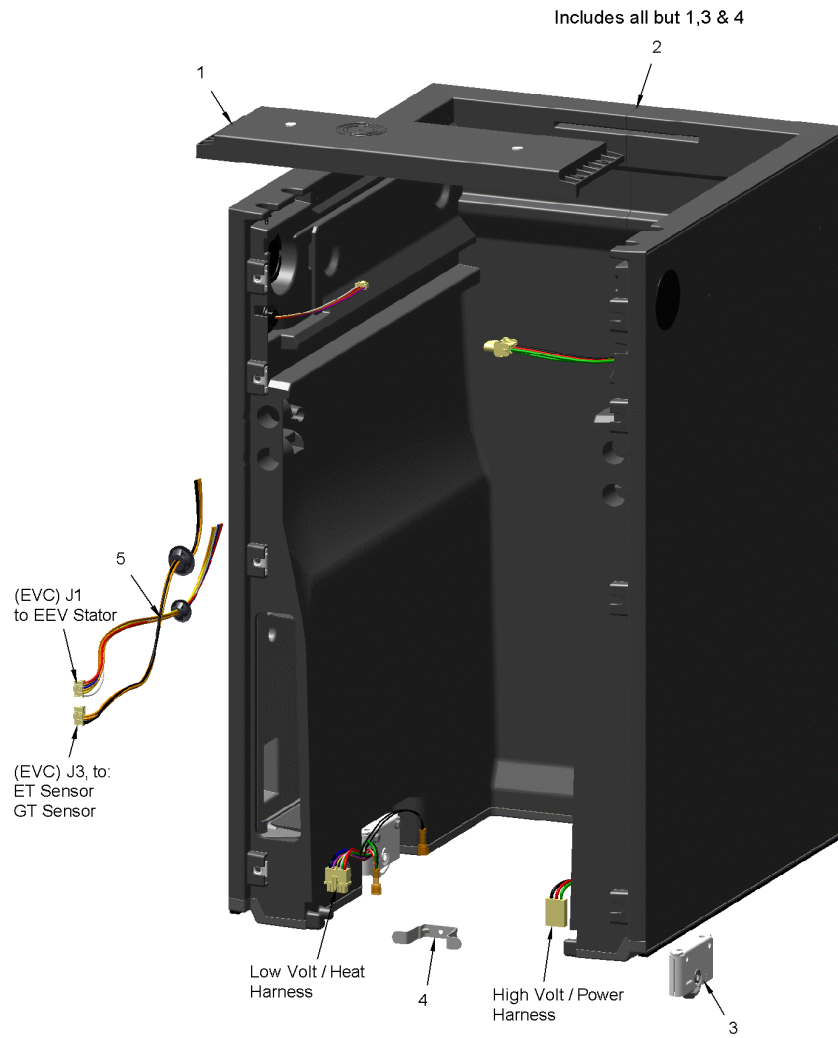
Model Number :TAM9A0C48V41DAA

Part No.	Reference No.	Quantity	Description
75012046_TAM9AUP1_211930-P	*		CABINET - COIL PARTS LIST

CABINET - COIL

75012046

REV  
A



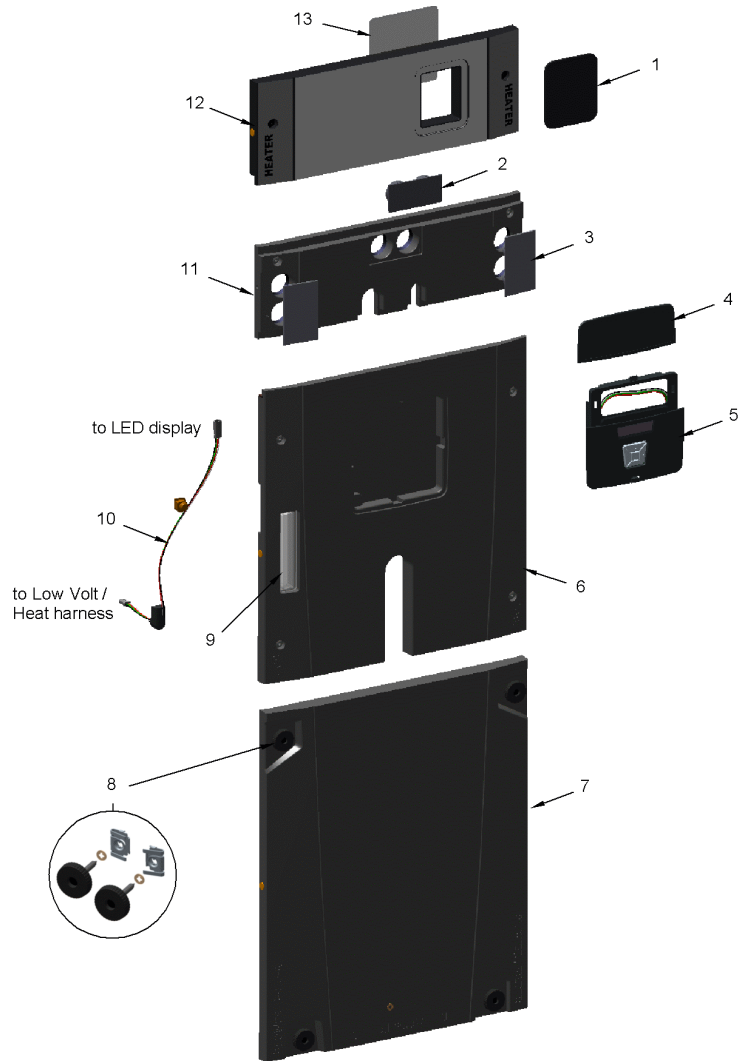
This is a typical illustration. The unit in the field may not appear exactly as shown.

Part No.	Reference No.	Quantity	Description
KIT18222	*	1	KIT; DOCUMENT PACKAGE, INCLUDES 4-HARNESSES, 2-LINE SET GROMMETS, THREADED PLUG, BUSHING & COIL DOOR BRACKET
WIR06512	*	1	WIRE; HARNESS, JUNCTION, 16 AWG, 3 PIN, (BK,RD,GR) 12 IN LENGTH
PNL31498	1	1	PANEL; TOP
CBT01871	2	1	CABINET; COIL, 20.75 L X 23.50 W X 40.00 H, INCLUDES HARNESSES: SENSORS & EEV, HV POWER, HEAT/LV
LAT00887	3	2	LATCH; RECEPTACLE ROTARY
BRK04511	4	1	BRACKET; COIL DOOR
WIR08718	5	1	WIRE; HARNESS, SENSORS & EEV

CABINET - FRONT PANELS

75012048

REV  
A



This is a typical illustration. The unit in the field may not appear exactly as shown.

Parts List Number :75012064#TAM9AUP1

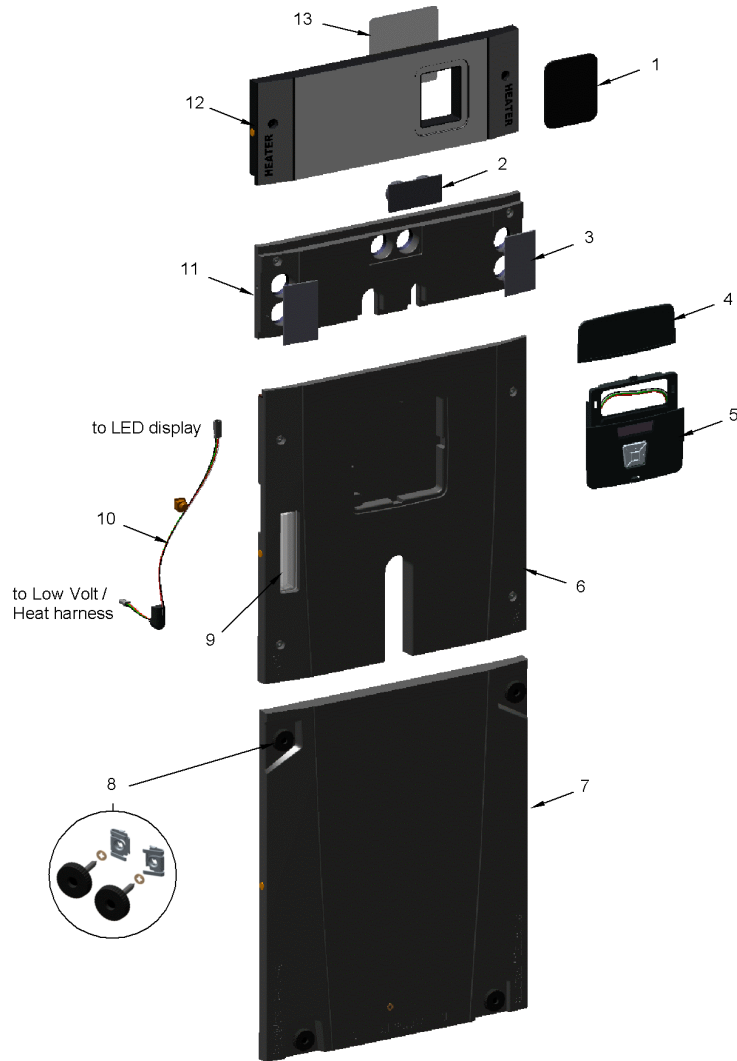
Model Number :TAM9A0C48V41DAA

Part No.	Reference No.	Quantity	Description
75012048_TAM9AUP1_211931-P	*		CABINET - FRONT PANELS PARTS LIST

CABINET - FRONT PANELS

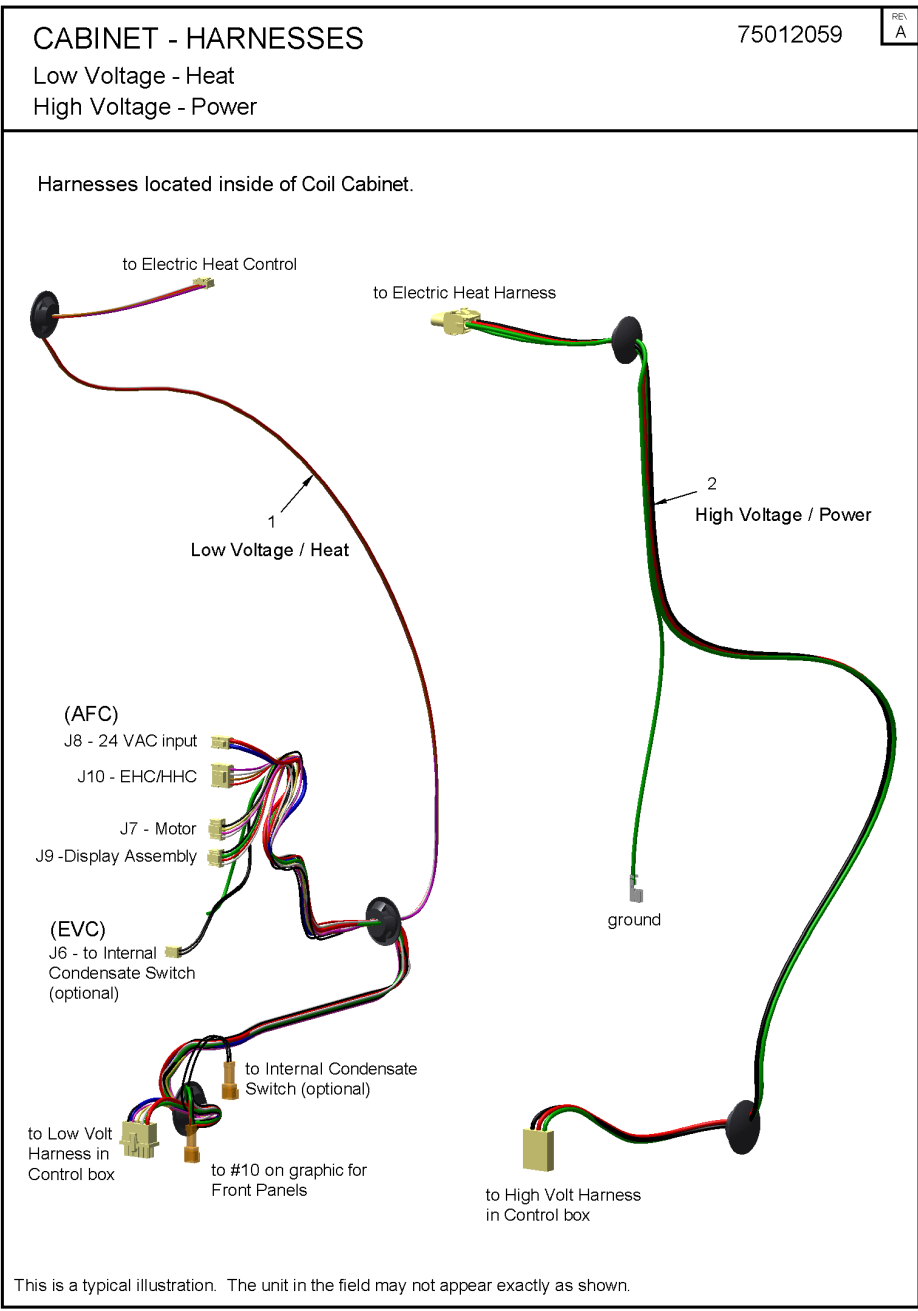
75012048

REV  
A



This is a typical illustration. The unit in the field may not appear exactly as shown.

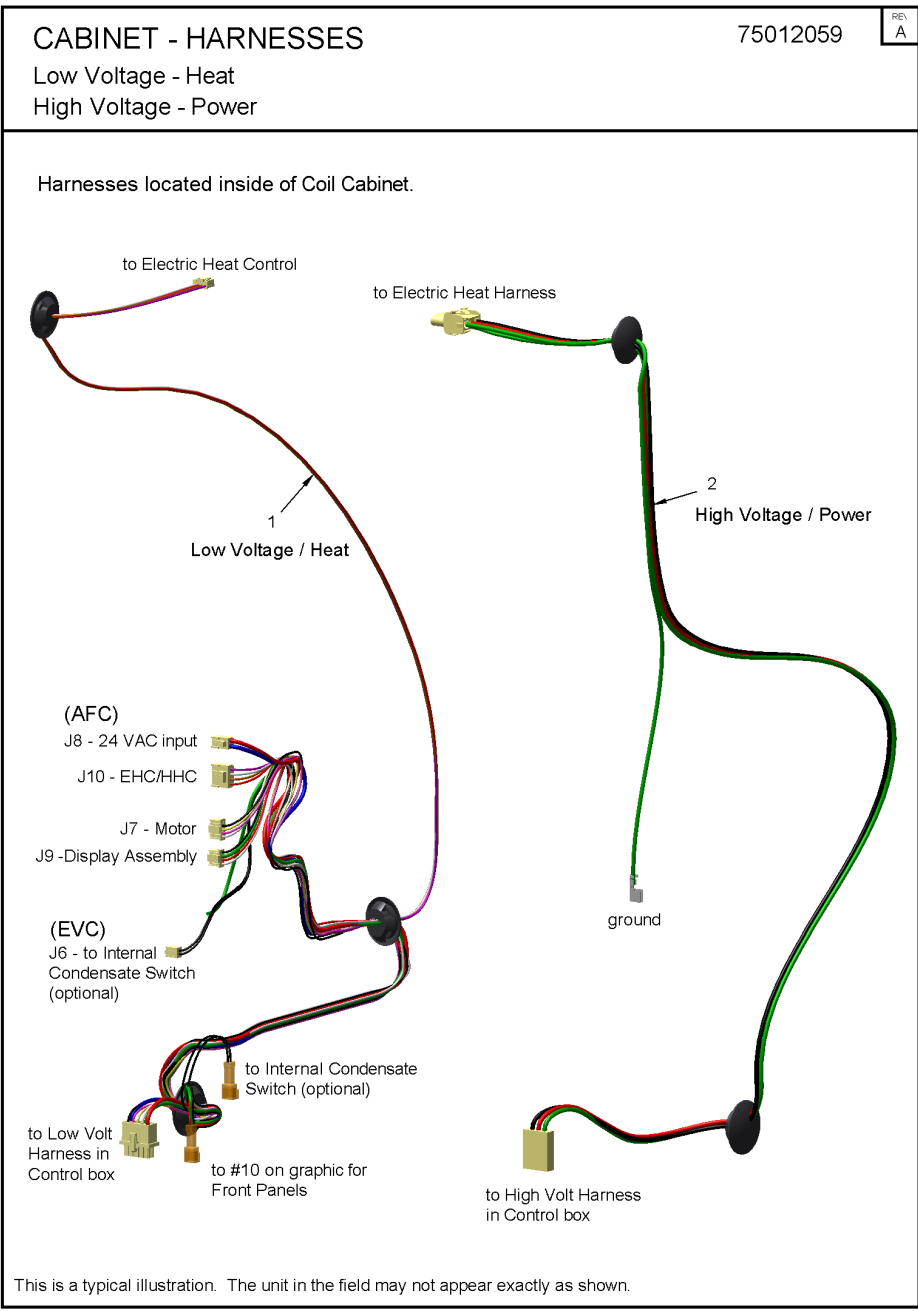
Part No.	Reference No.	Quantity	Description
PAI00248	*	1	PAINT; 12 OZ SPRAY, ANTHRACITE GRAY (SHIPPING UOM 12 OZ HAZ)
COV05309	1	1	COVER; BREAKER, OUTER
COV04332	2	1	COVER; CONDENSATE DOWN FLOW, 3.4 X 1.6
COV04331	3	2	COVER; CONDENSATE HORIZONTAL, 3.8 X 2.7
PLT04632	4	1	PLATE; NAMEPLATE ASSEMBLY, INCLUDES LCD - TRANE
PLT04844	4	1	PLATE; NAMEPLATE ASSEMBLY - TRANE
PLT04845	4	1	PLATE; NAMEPLATE ASSEMBLY - AMERICAN STANDARD
CNT06198	5	1	CONTROL; DISPLAY ASSEMBLY
CNT06593	5	1	CONTROL; LCD MODULE ASSEMBLY, INCLUDES DISPLAY BASE, CDA-PCB CONTROL AND HARNESS
WIR06641	5	1	WIRE; HARNESS, DISPLAY ASSEMBLY, 10 IN LENGTH, 4 WIRE TWISTED CABLE (BK,GR,RD,WH)
PNL31506	6	1	PANEL; COIL ACCESS
PNL31433	7	1	PANEL; BLOWER ACCESS
KIT16484	8	1	KIT; BLOWER KNOB. INCLUDES (2 EA) OF KNOB/SCREW, RTR00819 & SCREW FASTENER
COV04327	9	1	COVER; CLEAR LED COVER 4.9 X 1.1
WIR06990	10	1	WIRE; HARNESS, COIL PANEL CONN, 33 IN LENGTH, 4 WIRES-22 AWG (BK,GR,RD,WH)
PNL31437	11	1	PANEL; FIXED
PNL31441	12	1	PANEL; HEATER ACCESS
COV05198	13	1	COVER; BREAKER



Parts List Number :75012064#TAM9AUP1

Model Number :TAM9A0C48V41DAA

Part No.	Reference No.	Quantity	Description
75012059_TAM9AUP1_152830-P	*		CABINET - LV/HEAT & HV/POWER HARNESSSES PARTS LIST



Parts List Number :75012064#TAM9AUP1

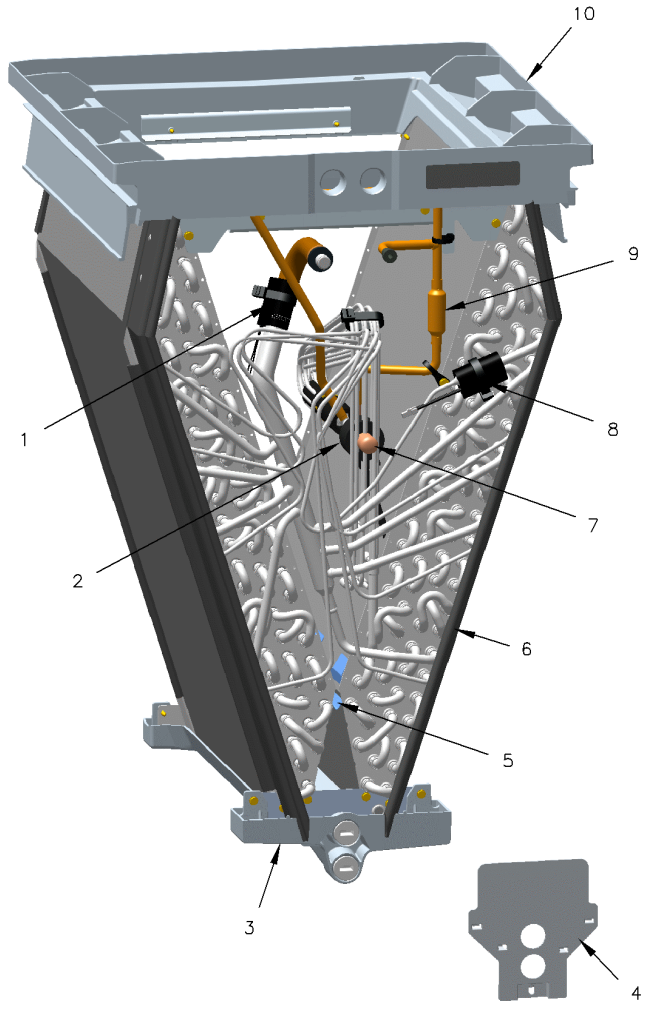
Model Number :TAM9A0C48V41DAA

<b>Part No.</b>	<b>Reference No.</b>	<b>Quantity</b>	<b>Description</b>
WIR08845	1	1	WIRE; HARNESS, HEATER, LOW VOLTAGE
WIR07383	2	1	WIRE; HARNESS, CONTROL BOX, HIGH VOLT, 50 IN LENGTH, 3 WIRES-16 AWG (BK,GR,RD), 1 WIRE-18 AWG (GR)

COIL

75012065

REV.  
A



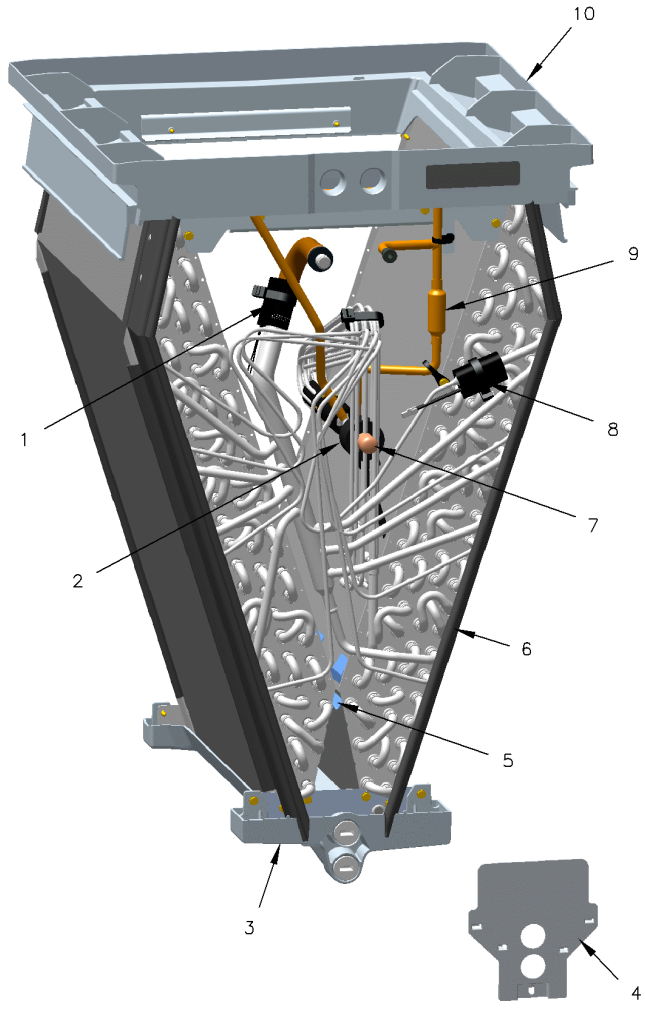
This is a typical illustration. The unit in the field may not appear exactly as shown.

Part No.	Reference No.	Quantity	Description
75012065_TAM9AUP1_211932-P	*		COIL PARTS LIST

COIL

75012065

REV.  
A



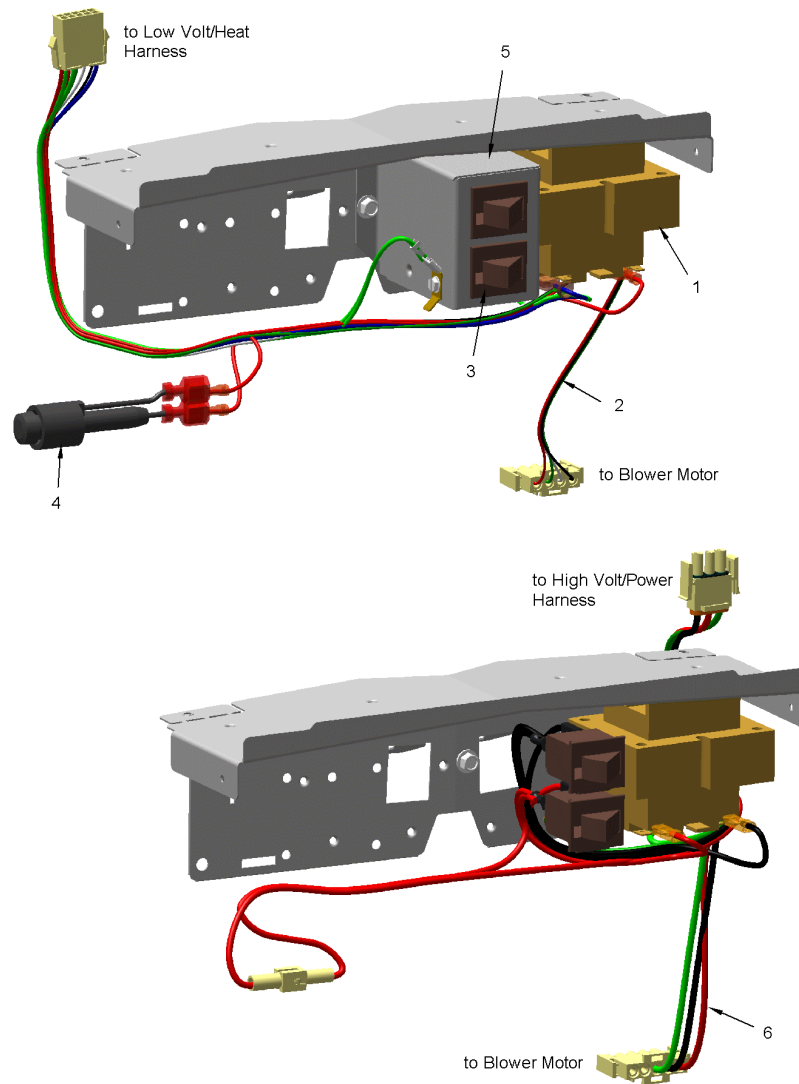
This is a typical illustration. The unit in the field may not appear exactly as shown.

Part No.	Reference No.	Quantity	Description
BAF01363	*	1	BAFFLE; COIL FRONT BAFFLE KIT, INCLUDES RIGHT AND LEFT BAFFLE
BAF01371	*	1	BAFFLE; COIL REAR BAFFLE KIT, INCLUDES RIGHT AND LEFT BAFFLE
BUS00324	*	1	BUSHING; SNAP, .562 OD, .50 MOUNTING HOLE DIAMETER, BLACK NYLON .135 THICK
GRM01009	*	1	GROMMET; 3/8 INCH LINE SET
GRM01010	*	1	GROMMET; 7/8 INCH LINE SET
PLU01169	*	1	PLUG; THREADED 3/4
SEN02134	1	1	SENSOR; THERMISTOR TEMPERATURE SENSOR, 30 INCH BLACK LEAD WIRES, CLIP FOR 3/4 TUBING
MOT15214	2	1	MOTOR; EEV STEPPER MOTOR
PLU01169	2	2	PLUG; THREADED 3/4
PAN03097	3	1	PAN; DRAIN UP FLOW, 19.5 X 8.3
PLT05234	4	1	PLATE; SEAL 6.3 X 7.3 BLACK
DIV00329	5	1	DIVERTER; WATER, 16.31 L X 1.30 W X 1.97 H
COL16709	6	1	COIL; COIL & DRAIN PAN ASSEMBLY, BLACK EPOXY.
TUB13966	7	1	TUBE; ASSEMBLY. INCLUDES EEV, STRAINER, LIQUID & TRANSITION TUBES
VAL11152	7	1	VALVE; EEV
SEN02124	8	1	SENSOR; SAT. LINE TEMPERATURE SENSOR, 25 INCH ORANGE LEAD WIRES, FOR 3/8 TUBING
SRN00973	9	1	STRAINER; COPPER, 2.75 L, 0.38 ID X 0.32 ID
PAN03095	10	1	PAN; DRAIN DOWN FLOW, 20.4 X 19.6

CONTROL PANEL

75012062

REV.  
A



This is a typical illustration. The unit in the field may not appear exactly as shown.

Parts List Number :75012064#TAM9AUP1

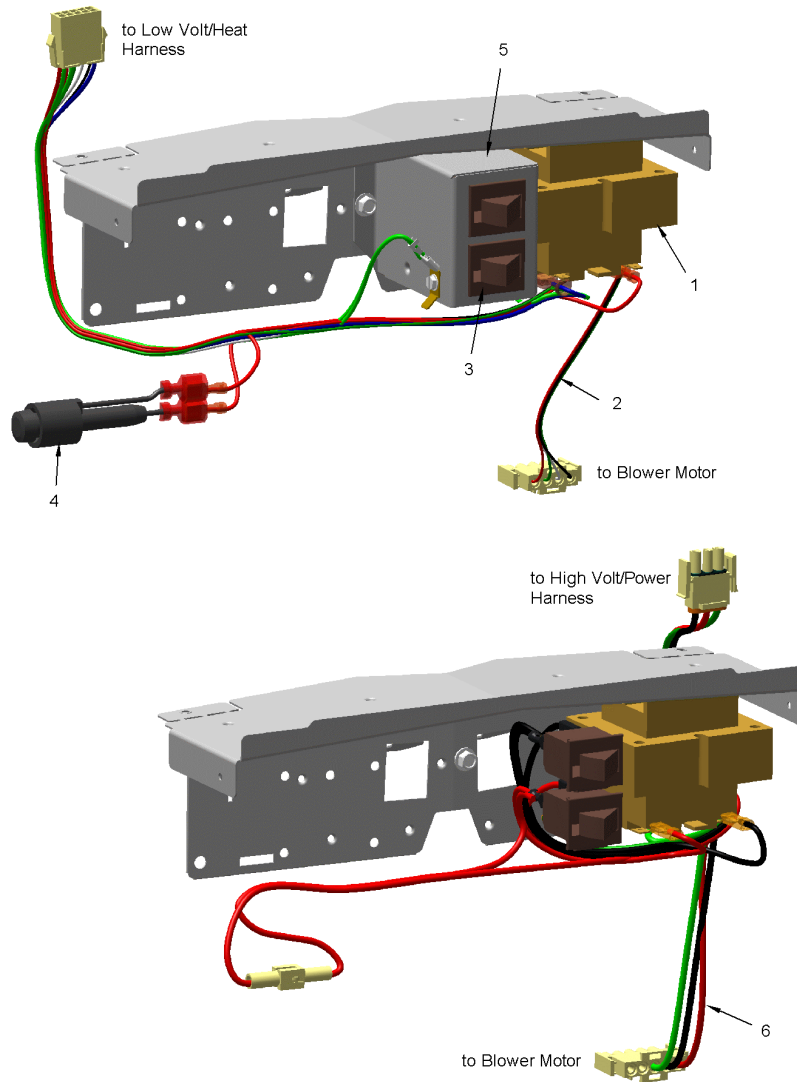
Model Number :TAM9A0C48V41DAA

Part No.	Reference No.	Quantity	Description
75012062_TAM9AUP1_152831~P	*		CONTROL PANEL PARTS LIST

CONTROL PANEL

75012062

REV.  
A



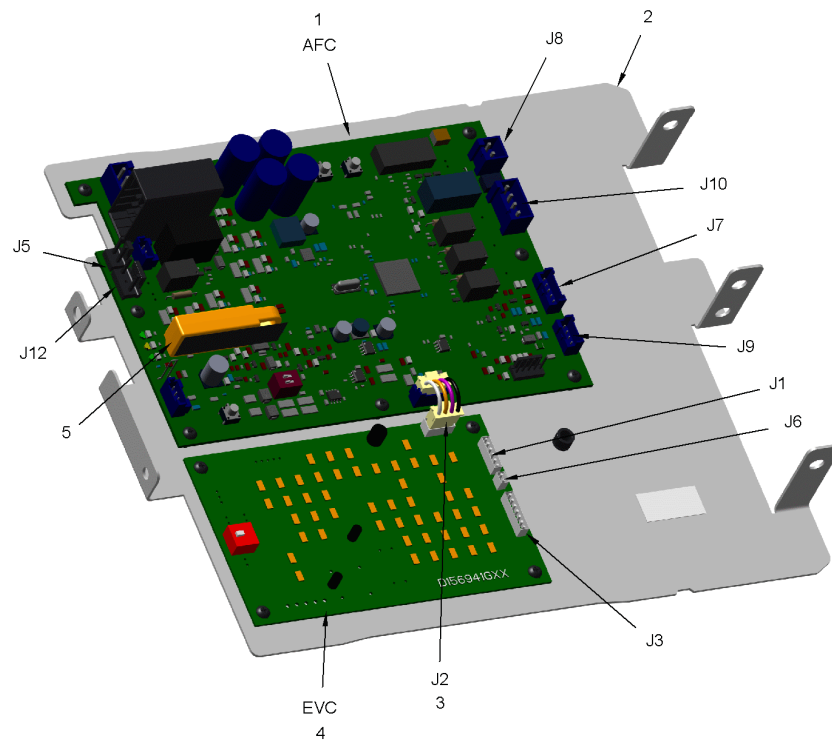
This is a typical illustration. The unit in the field may not appear exactly as shown.

<b>Part No.</b>	<b>Reference No.</b>	<b>Quantity</b>	<b>Description</b>
TRR01558	1	1	TRANSFORMER; 75VA, 200/230V PRI, 24V SEC, QUICK CONNECTS
WIR08720	2	1	WIRE; HARNESS, CONTROL BOX, LOW VOLTAGE
SWT01714	3	2	SWITCH; DOOR SPST, 21 AMP, 125/250VAC
FUS01776	4	1	FUSE; 3.2 AMP, WITH HOLDER AND QUICK CONNECTS
BRK04142	5	1	BRACKET; DOOR SWITCH
WIR08721	6	1	WIRE; HARNESS, CONTROL BOX, HIGH VOLTAGE

CONTROL BOARDS

75012063

REV.  
A



This is a typical illustration. The unit in the field may not appear exactly as shown.

Parts List Number :75012064#TAM9AUP1

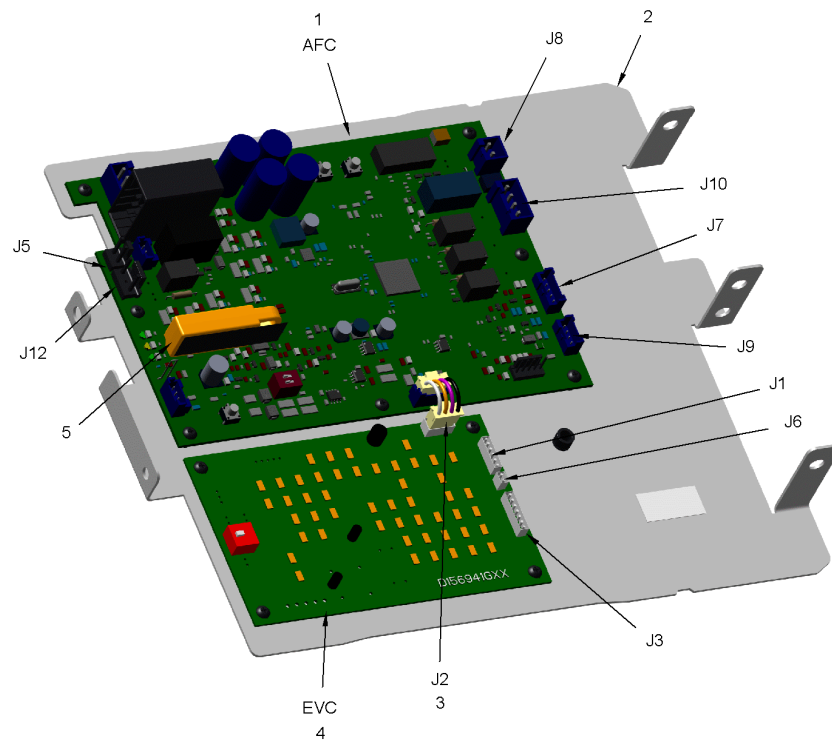
Model Number :TAM9A0C48V41DAA

Part No.	Reference No.	Quantity	Description
75012063_TAM9AUP1_152832-P	*		CONTROL BOARDS PARTS LIST

CONTROL BOARDS

75012063

REV.  
A



This is a typical illustration. The unit in the field may not appear exactly as shown.

Part No.	Reference No.	Quantity	Description
WIR08715	*	1	WIRE; HARNESS, PIGTAIL - SENSOR (J12 ON AFC TO HUMIDIFIER RELAY)
WIR08716	*	1	WIRE; HARNESS, PIGTAIL - SENSOR (J5 ON AFC TO EXTERNAL SHUTOFF INPUT)
WIR08719	*	1	WIRE; HARNESS, J1 PLUG ON AFC, 12 PIN PLUG, 12 WIRES
CNT07622	1	1	CONTROL; PCB ASSEMBLY, AIR FLOW CONTROL (AFC)
PLT06197	2	1	PLATE ASM-CONTROL MNT
WIR06515	3	1	WIRE; HARNESS, JUMPER, DC CONTROL, 1.50 LENGTH, 4 WIRES-22 AWG (BK,GR,RD,WH)
CNT07690	4	1	CONTROL; BOARD ASSEMBLY, ELECTRONIC VALVE CONTROL
MOD01913	5	1	MODULE; TO ORDER-SEE EXT NOTE (PERSONALITY MODULE)

OPTIONAL ACCESSORIES

Parts List Number :75012064#TAM9AUP1

Model Number :TAM9A0C48V41DAA

Part No.	Reference No.	Quantity	Description
OPTIONS_TAM9AUP1_152834-P	*		OPTIONAL ACCESSORIES PARTS LIST

NO GRAPHIC AVAILABLE

75013702

REV  
A

**NO  
GRAPHIC  
AVAILABLE**

Part No.	Reference No.	Quantity	Description
BAYBAFKT235A	*	1	TETRA BAFFLE KIT C CAB
BAYCNDPIP01A	*	1	KIT-PVC ADAPTER
BAYEAAC04BK1BA	*	1	HEATER; ASSEMBLY, 5 KW
BAYEAAC04LG1BA	*	1	HEATER; ASSEMBLY, 5 KW
BAYEAAC05BK1BA	*	1	HEATER; ASSEMBLY, 5 KW
BAYEAAC08BK1BA	*	1	HEATER; ASSEMBLY 8KW, WITH CIRCUIT BREAKER
BAYEAAC08LG1BA	*	1	HEATER; ASSEMBLY 8KW
BAYEAAC10BK1BA	*	1	HEATER; ASSEMBLY 10KW, WITH CIRCUIT BREAKER
BAYEAAC10LG1BA	*	1	HEATER; ASSEMBLY 10KW, WITH LUGS
BAYEAAC10LG3BA	*	1	HEATER; ASSEMBLY 10KW, 3 PH
BAYEABC15BK1BA	*	1	HEATER; ASSEMBLY 15KW
BAYEABC15LG3BA	*	1	HEATER; ASSEMBLY, 15KW, 3 PH
BAYEABC20BK1BA	*	1	HEATER; ASSEMBLY, 20 KW
BAYEACC25BK1BA	*	1	HEATER; ASSEMBLY, 25KW
BAYECAA05LG1BA	*	1	HEATER; 5KW LUGS 24V 1PH
BAYECAA10LG1BA	*	1	HEATER; 10KW LUGS 24V 1PH
BAYFRKIT235A	*	1	FRONT RETURN KIT
BAYINSKIT235A	*	1	NO DESCRIPTION AVAILABLE
BAYWACC11SC1AA	*	1	COIL; TOP MOUNT HYDRONIC COIL ACCESSORY (BAYWACC11SC1AA)
FLR07870	*	1	FILTER; HIGH VELOCITY FILTER KIT 22 X 20 X 1 - 10 FILTERS (BAYFLR2220A)
KIT15226	*	1	KIT; 23.5" CABINET MOUNTING STAND (TASB235)
KIT15765	*	1	KIT; DUCT FLANGE ASSEMBLY RETURN FOR CANINET C (BAYRETFLGCAA)
KIT15766	*	1	KIT; DUCT FLANGE ASSEMBLY SUPPLY FOR CANINET C (BAYSUPFLGCAA)
KIT15865	*	1	KIT; SIDE RETURN (BAYSRKIT100A)
KIT15866	*	1	KIT; HORIZONTAL HANGING (BAYHHKIT001A)
KIT15867	*	1	KIT; LOW VOLTAGE BOX (BAYLVKIT100A)
KIT15871	*	1	KIT; HYDRONIC HEAT COIL FOR CABINET C (BAYWVCC08SC1AAA)
KIT15873	*	1	KIT; SINGLE POINT POWER ENTRY (BAYSPEKT200A)
KIT15973	*	1	KIT; INTERNAL CONDENSATE SWITCH (BAYICKIT01A)
KIT18054	*	1	KIT; EMI/EFI AIR HANDLER ELECTRIC NOISE KIT FOR VARIABLE SPEED BLOWER MOTOR (BAYAHMIKIT001A)
LIT01103	*	1	LIGHT; UV KIT (BAYUVCLK001AA)
TASSBK235	*	1	KIT; 23.5 SOUND BAFFLE KIT
TAYBASETAMA	*	1	KIT; DOWNFLOW SUB-BASE KIT

MODEL NUMBER DESCRIPTION

75010531

REV.  
A

AIR HANDLER

*Example Model Number:*

**GAM5B0B36M31SAA**  
1 - - - 5 - - - 10 - - - 15

**Digit 1 – Brand**

T = Trane  
G = Good (Trane Branded)

**Digit 2 – Product Type**

A = Air Handler

**Digit 3 – Convertibility**

M = Multi-positional 4-way  
F = Upflow Front Return, 3-way  
T = 3-way

**Digit 4 – Product Tier**

2 = Good. Entry Level Feature Set  
4 = Better. Retail Replacement Mid Efficiency  
5 = Better. Entry Level High Efficiency, Multi-Speed  
7 = Best. Retail Replacement High Efficiency, Variable-Speed  
8 = Best. Retail Ultimate High Efficiency, Variable-Speed  
9 = Best, Comm/24V Variable-Speed  
G = Best. Geothermal

**Digit 5 – Major Design Change**

**Digit 6 – No Descriptor**

0 = Air Handler / Coil

**Digit 7 – Size (Footprint)**

A = 17.5 x 21.8  
B = 21.3 x 21.8  
C = 23.5 x 21.8

**Digits 8, 9 – Cooling Size: Air Handler or Coil**

0-9 = AH Coil - 1000 BTU's (18, 24, 30, 36, 42, 48, 60)

**Digits 10, 11 – Airflow Type & Capacity**

S = Low Efficiency PSC, 1-5 Nominal Tonnage (cfm/ton)  
M = Mid Efficiency Multi-Speed, 1-5 Nominal Tonnage (cfm/ton)  
H = High Efficiency Variable Speed, 1-5 Nominal Tonnage (cfm/ton)  
V = High Efficiency Variable Speed, 1-5 Nominal Tonnage (cfm/ton)

**Digit 12 – Power Supply**

1 = 208-230/60/1

**Digit 13 – System Control Type**

S = Standard - 24 VAC  
C = CLII 13.8 VDC  
E = Black Epoxy Coil

**Digit 14 – Minor Design Change**

**Digit 15 – Unit Parts Identifier**

Part No.	Reference No.	Quantity	Description
75010531_TAM9AUP1_152826-P	*		MODEL NUMBER DESCRIPTION PARTS LIST

**MODEL NUMBER DESCRIPTION**  
**AIR HANDLER**

75010531

REV  
A

*Example Model Number:*  
**GAM5B0B36M31SAA**  
1 - - - - 5 - - - - 10 - - - - 15

**Digit 1 – Brand**

T = Trane  
G = Good (Trane Branded)

**Digit 2 – Product Type**

A = Air Handler

**Digit 3 – Convertibility**

M = Multi-positional 4-way  
F = Upflow Front Return, 3-way  
T = 3-way

**Digit 4 – Product Tier**

2 = Good. Entry Level Feature Set  
4 = Better. Retail Replacement Mid Efficiency  
5 = Better. Entry Level High Efficiency, Multi-Speed  
7 = Best. Retail Replacement High Efficiency, Variable-Speed  
8 = Best. Retail Ultimate High Efficiency, Variable-Speed  
9 = Best, Comm/24V Variable-Speed  
G = Best. Geothermal  
X = Premium, Link Communicating /24V

**Digit 5 – Major Design Change**

**Digit 6 – No Descriptor**

0 = Air Handler / Coil

**Digit 7 – Size (Footprint)**

A = 17.5 x 21.8  
B = 21.3 x 21.8  
C = 23.5 x 21.8

**Digits 8, 9 – Cooling Size: Air Handler or Coil**

0-9 = AH Coil - 1000 BTU's (18, 24, 30, 36, 42, 48, 60)

**Digits 10, 11 – Airflow Type & Capacity**

S = Low Efficiency PSC, 1-5 Nominal Tonnage (cfm/ton)  
M = Mid Efficiency Multi-Speed, 1-5 Nominal Tonnage (cfm/ton)  
H = High Efficiency Variable Speed, 1-5 Nominal Tonnage (cfm/ton)  
V = High Efficiency Variable Speed, 1-5 Nominal Tonnage (cfm/ton)

**Digit 12 – Power Supply**

1 = 208-230/60/1

**Digit 13 – System Control Type**

S = Standard - 24 VAC  
C = CLII 13.8 VDC  
E = Black Epoxy Coil

**Digit 14 – Minor Design Change**

**Digit 15 – Unit Parts Identifier**

1 of 1

