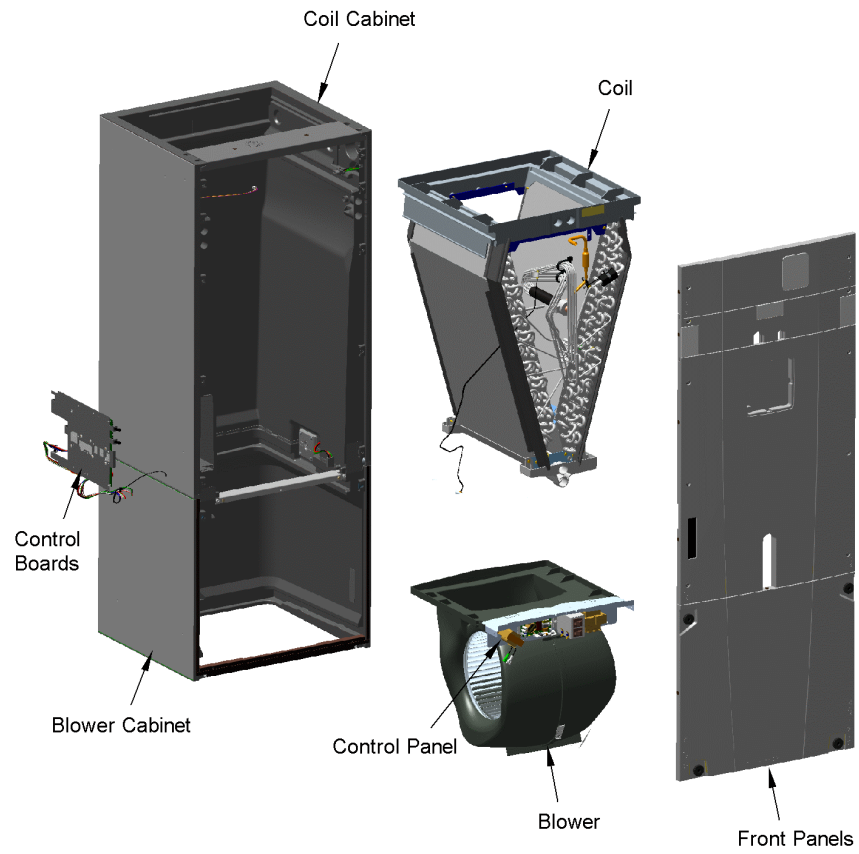


AIR HANDLER  
Communicating

75012064

REV.  
A



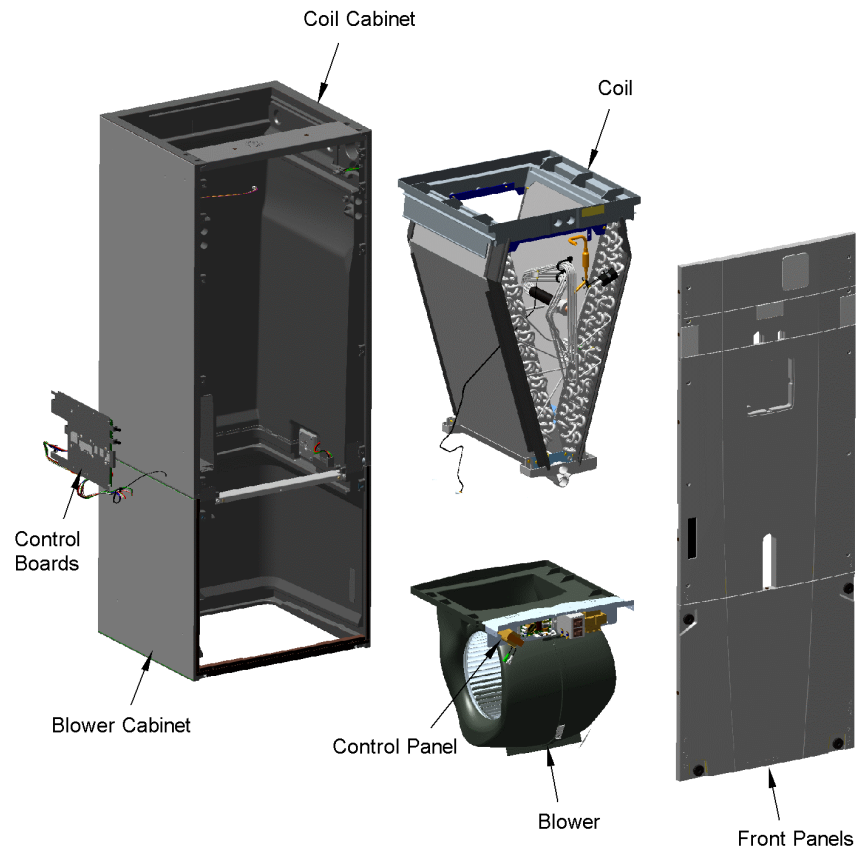
This is a typical illustration. The unit in the field may not appear exactly as shown.

<b>Part No.</b>	<b>Reference No.</b>	<b>Quantity</b>	<b>Description</b>
75012064_TAM9AUP1_152824~P	*		AIR HANDLER - COMMUNICATING PARTS LIST
75010504#TAM9AUP1~S	*		BLOWER
75012047#TAM9AUP1~S	*		CABINET - BLOWER
75012046#TAM9AUP1~S	*		CABINET - COIL
75012048#TAM9AUP1~S	*		CABINET - FRONT PANELS
75012059#TAM9AUP1~S	*		CABINET - LV/HEAT & HV/POWER HARNESSSES
75012065#TAM9AUP1~S	*		COIL
75012063#TAM9AUP1~S	*		CONTROL BOARDS
75012062#TAM9AUP1~S	*		CONTROL PANEL
75010531#TAM9AUP1~S	*		MODEL NUMBER DESCRIPTION
OPTIONS#TAM9AUP1~S	*		OPTIONAL ACCESSORIES

AIR HANDLER  
Communicating

75012064

REV.  
A



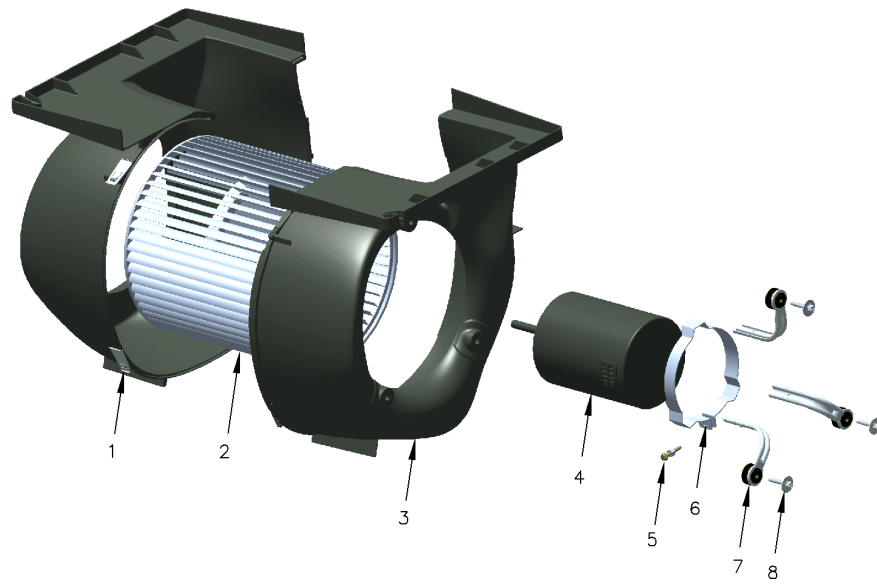
This is a typical illustration. The unit in the field may not appear exactly as shown.

BLOWER

75010504

REV  
A

TYPICAL ILLUSTRATION



Parts List Number :75012064#TAM9AUP1

Model Number :TAM9A0A24V21DAA

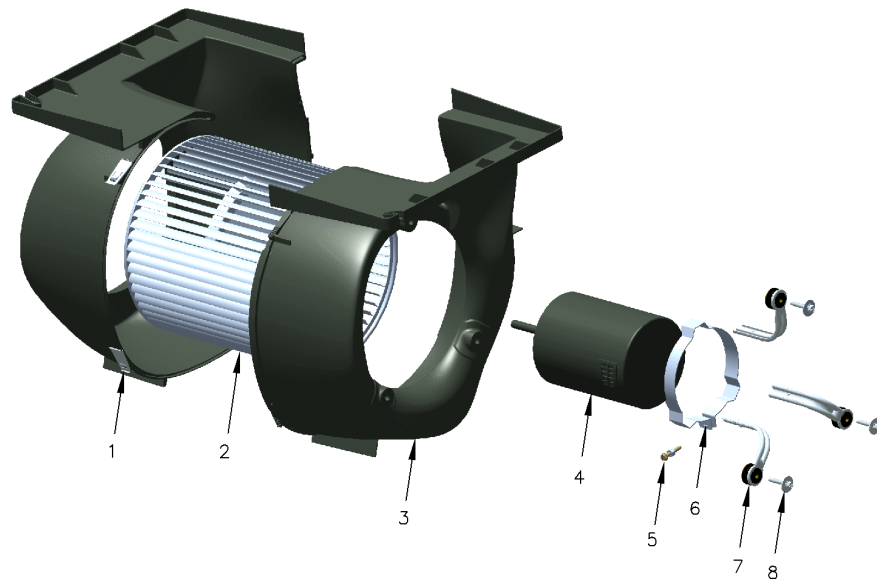
Part No.	Reference No.	Quantity	Description
75010504_TAM9AUP1_177375-P	*		BLOWER PARTS LIST

BLOWER

75010504

REV  
A

TYPICAL ILLUSTRATION

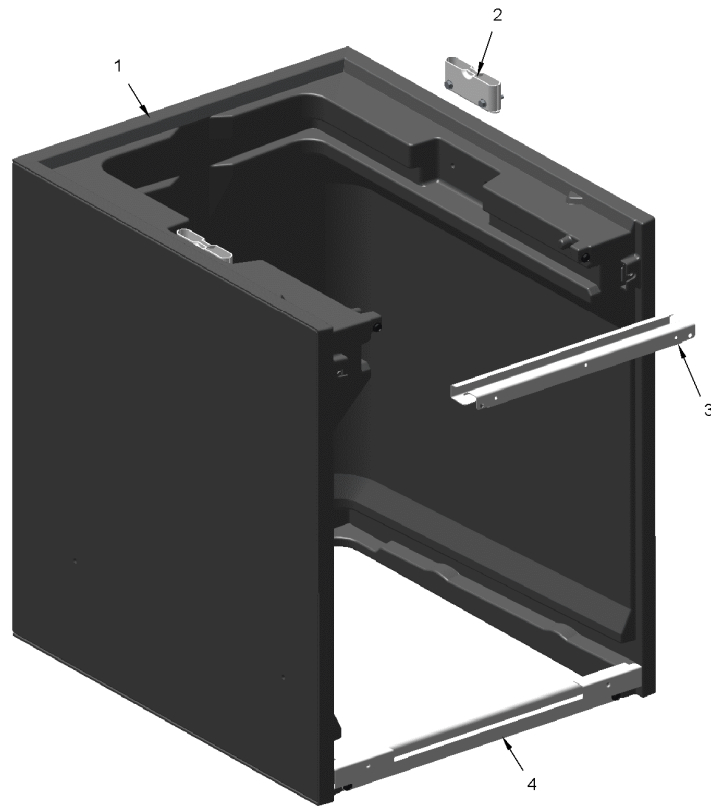


<b>Part No.</b>	<b>Reference No.</b>	<b>Quantity</b>	<b>Description</b>
CLP01123	1	4	CLIP; CLEAT-BLOWER
WHL02916	2	1	WHEEL; BLOWER, 11 IN DIA, 8 IN WIDTH, 0.50 IN BORE, CW
HUS03895	3	1	HOUSING; MOLDED BLOWER, INCLUDES LEFT & RIGHT MOLDED HALF & CLP01123 QTY OF 4
MOT17769	4	1	MOTOR; 1/2 HP, VARIABLE SPEED, 208-240 VAC, 1200 RPM, NEMA 48 FRAME
NUT01063	5	1	NUT; LOCKING NYLON
SCR01584	5	1	BOLT; 1/4-20 MA HX 1.5 S
BND00910	6	1	BAND; MOTOR MOUNT
BRK04223	7	3	BRACKET; MOTOR ARM
SCR02112	8	3	SCREW; ASSEMBLY-MOTOR MOUNT

CABINET - BLOWER

75012047

REV.  
A



This is a typical illustration. The unit in the field may not appear exactly as shown.

Parts List Number :75012064#TAM9AUP1

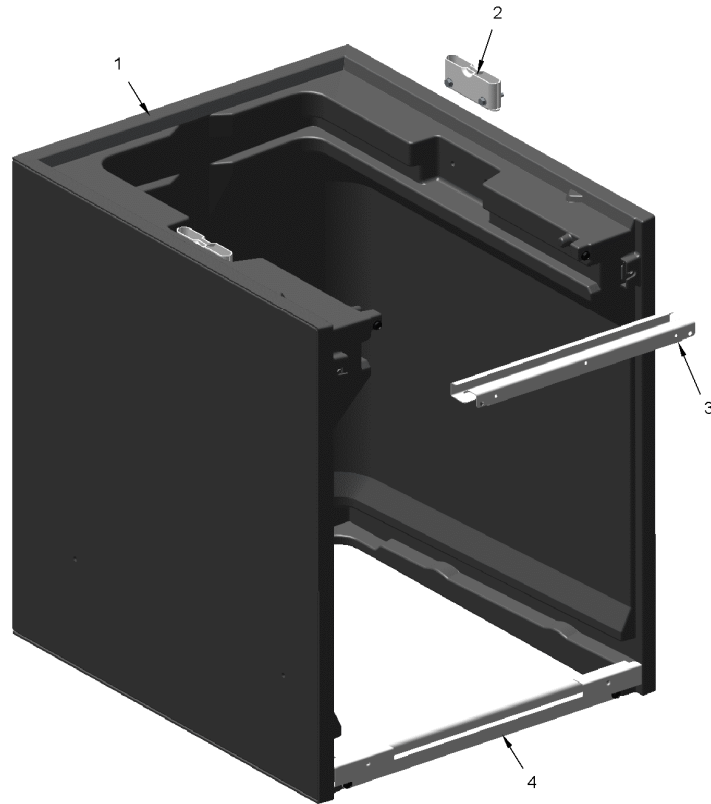
Model Number :TAM9A0A24V21DAA

Part No.	Reference No.	Quantity	Description
75012047_TAM9AUP1_177378-P	*		CABINET - BLOWER PARTS LIST

CABINET - BLOWER

75012047

REV.  
A



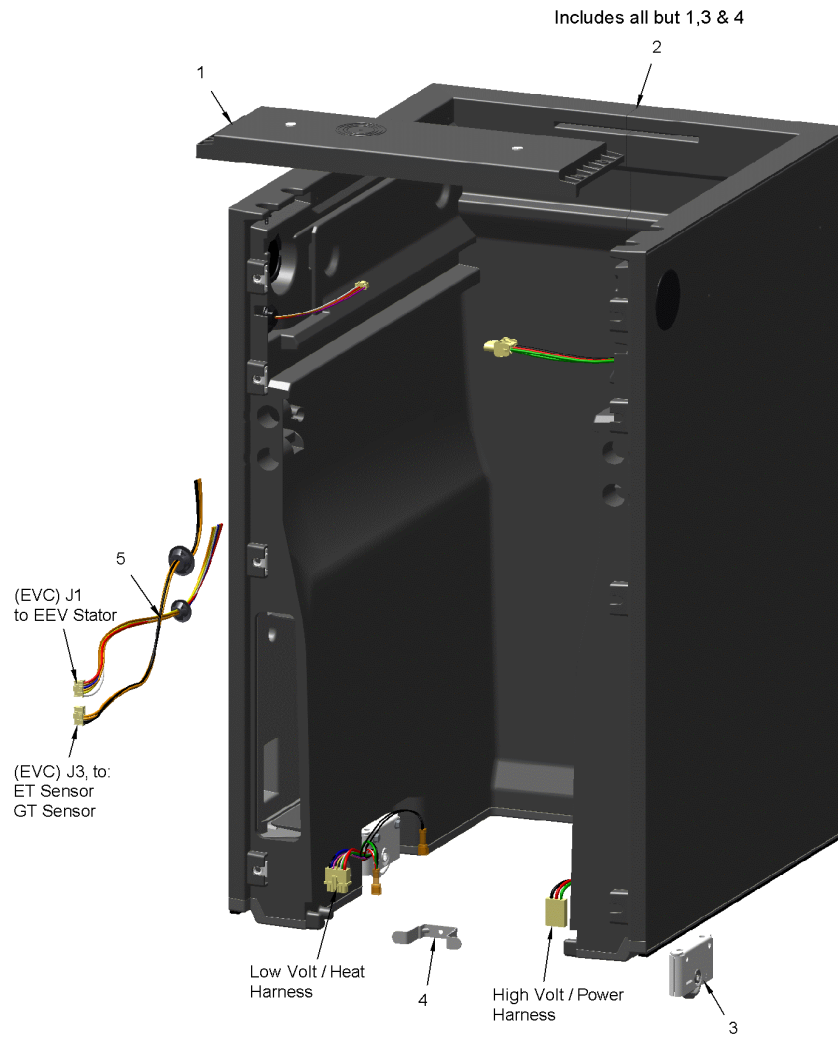
This is a typical illustration. The unit in the field may not appear exactly as shown.

<b>Part No.</b>	<b>Reference No.</b>	<b>Quantity</b>	<b>Description</b>
CBT01629	1	1	CAB-BLOWER; A; SUB
LAT00885	2	2	LATCH; RECEPTACLE ROTARY
CBT01783	3	1	CABINET; CROSSBAR
BRK04528	4	1	BRACKET; CROSS BAR LOWER

CABINET - COIL

75012046

REV  
A

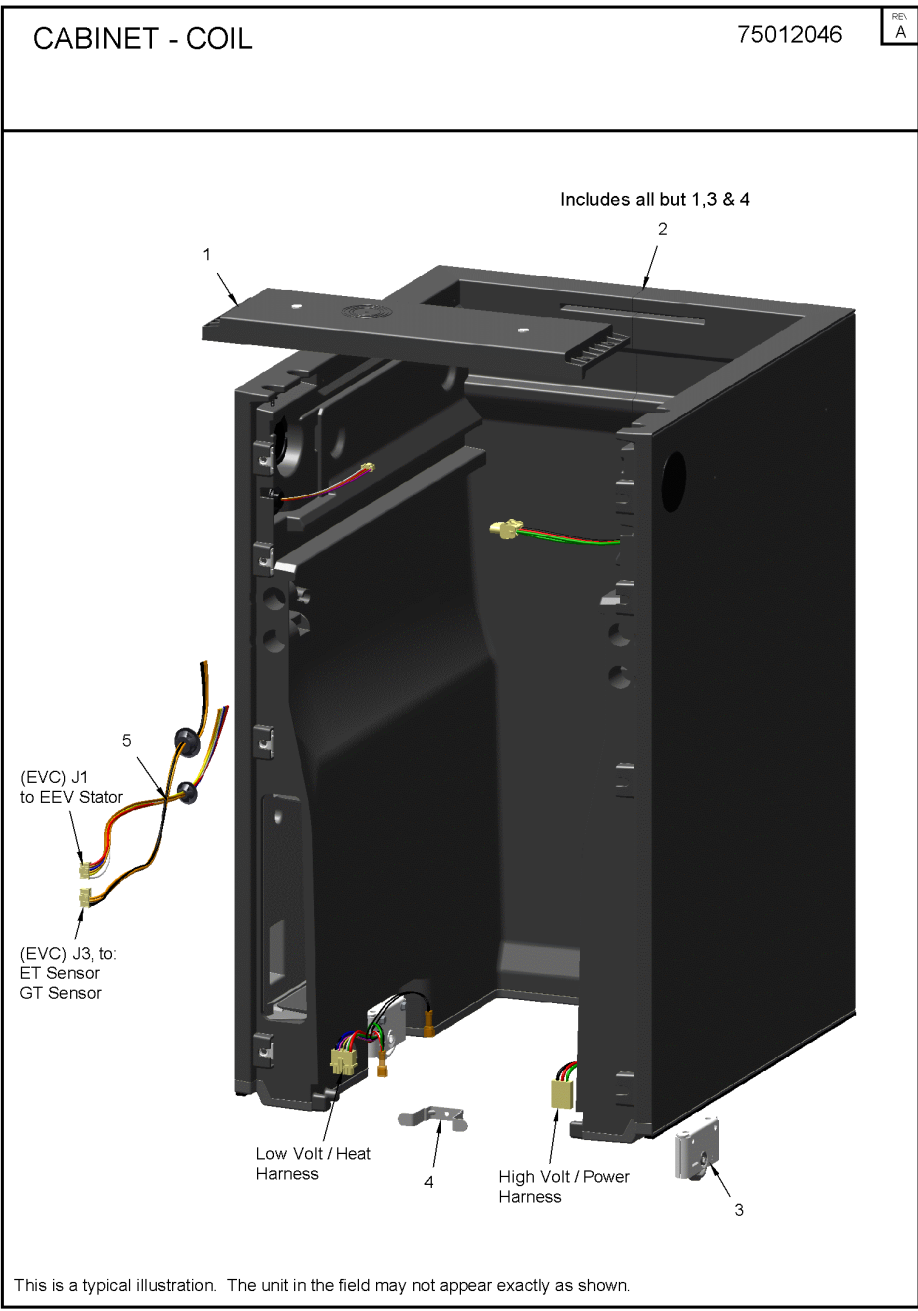


This is a typical illustration. The unit in the field may not appear exactly as shown.

Parts List Number :75012064#TAM9AUP1

Model Number :TAM9A0A24V21DAA

Part No.	Reference No.	Quantity	Description
75012046_TAM9AUP1_177376-P	*		CABINET - COIL PARTS LIST

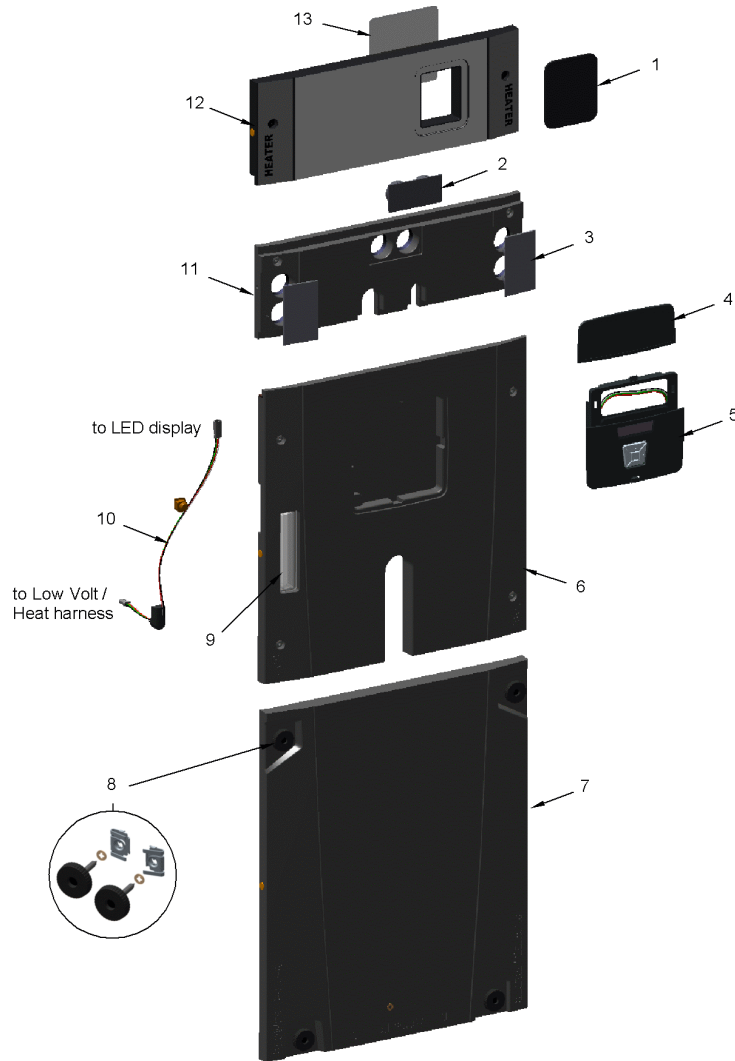


Part No.	Reference No.	Quantity	Description
KIT18221	*	1	KIT; DOCUMENT PACKAGE, INCLUDES 4-HARNESSES, 2-LINE SET GROMMETS, THREADED PLUG, BUSHING & COIL DOOR BRACKET
WIR06512	*	1	WIRE; HARNESS, JUNCTION, 16 AWG, 3 PIN, (BK,RD,GR) 12 IN LENGTH
PNL31496	1	1	PANEL; TOP
CBT01868	2	1	CABINET; COIL, 20.75 L X 17.50 W X 28.20 H, INCLUDES HARNESSES: SENSORS & EEV, HV POWER, HEAT/LV
LAT00887	3	2	LATCH; RECEPTACLE ROTARY
BRK04511	4	1	BRACKET; COIL DOOR
WIR08718	5	1	WIRE; HARNESS, SENSORS & EEV

CABINET - FRONT PANELS

75012048

REV  
A



This is a typical illustration. The unit in the field may not appear exactly as shown.

Parts List Number :75012064#TAM9AUP1

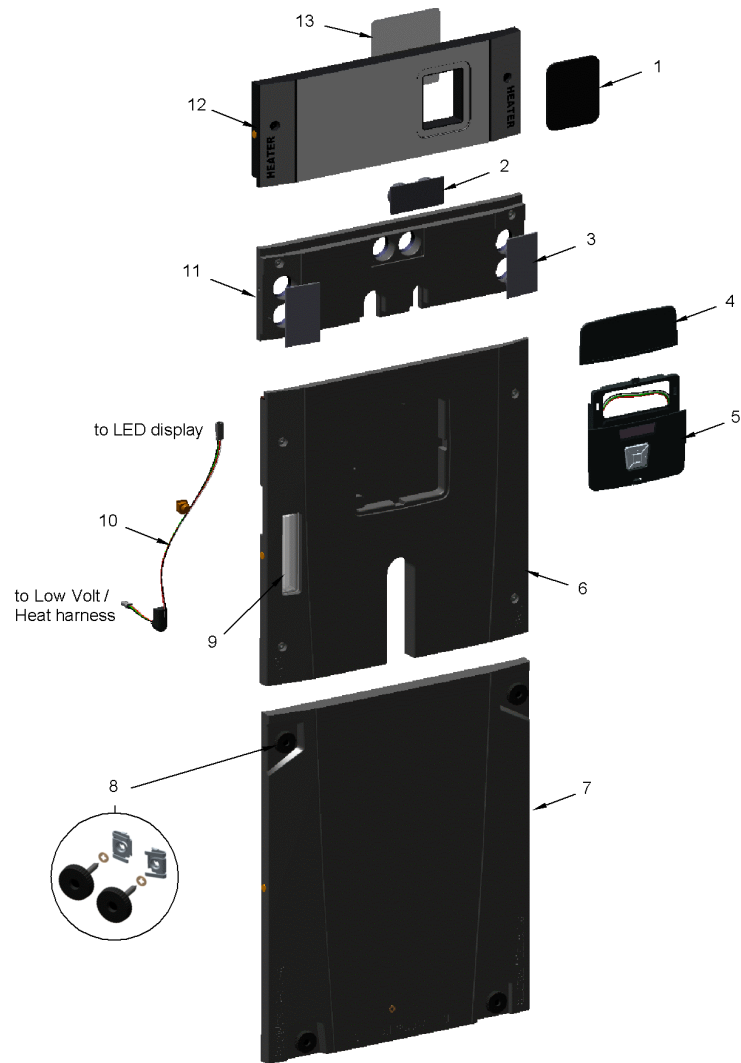
Model Number :TAM9A0A24V21DAA

Part No.	Reference No.	Quantity	Description
75012048_TAM9AUP1_177379-P	*		CABINET - FRONT PANELS PARTS LIST

CABINET - FRONT PANELS

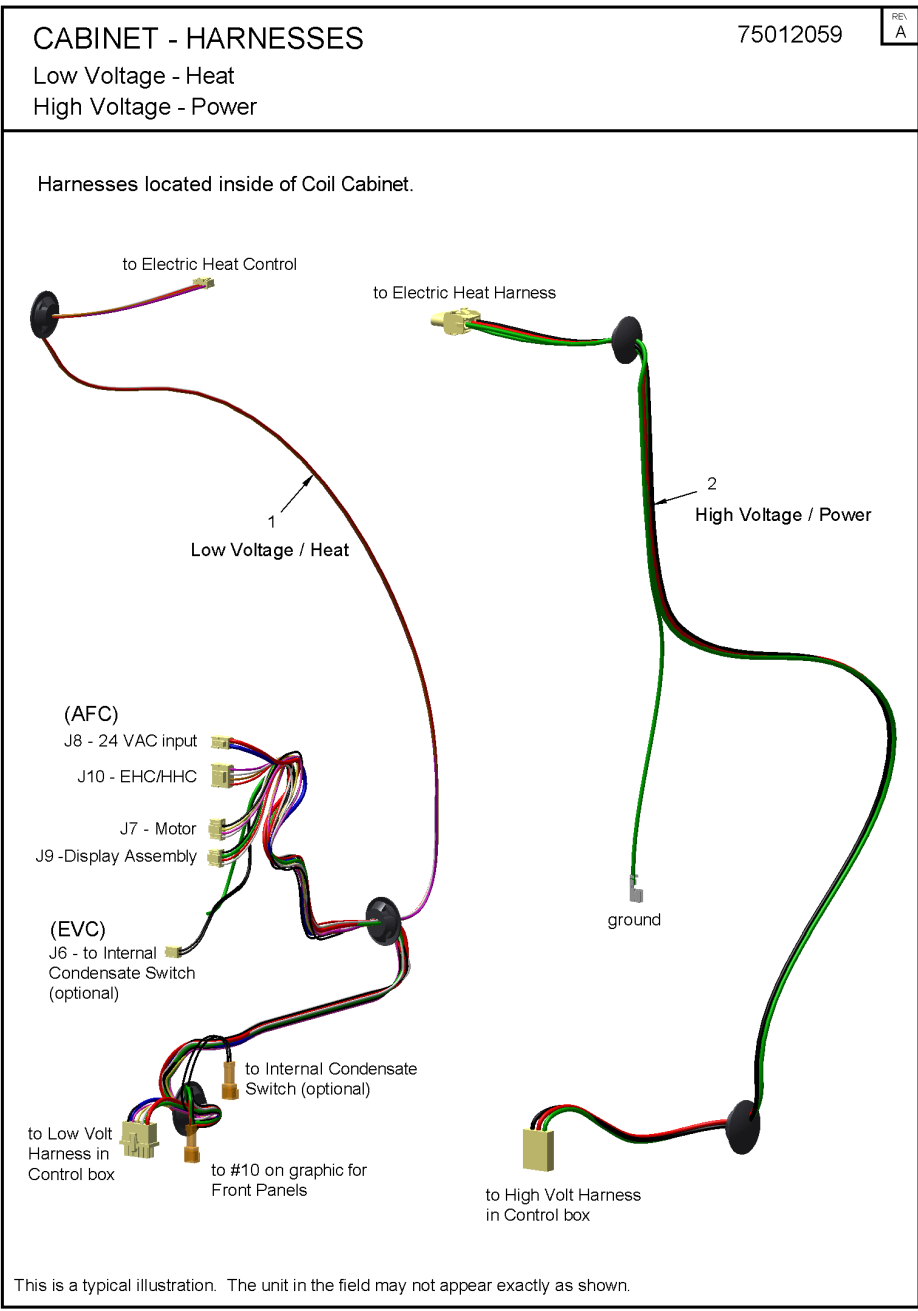
75012048

REV  
A



This is a typical illustration. The unit in the field may not appear exactly as shown.

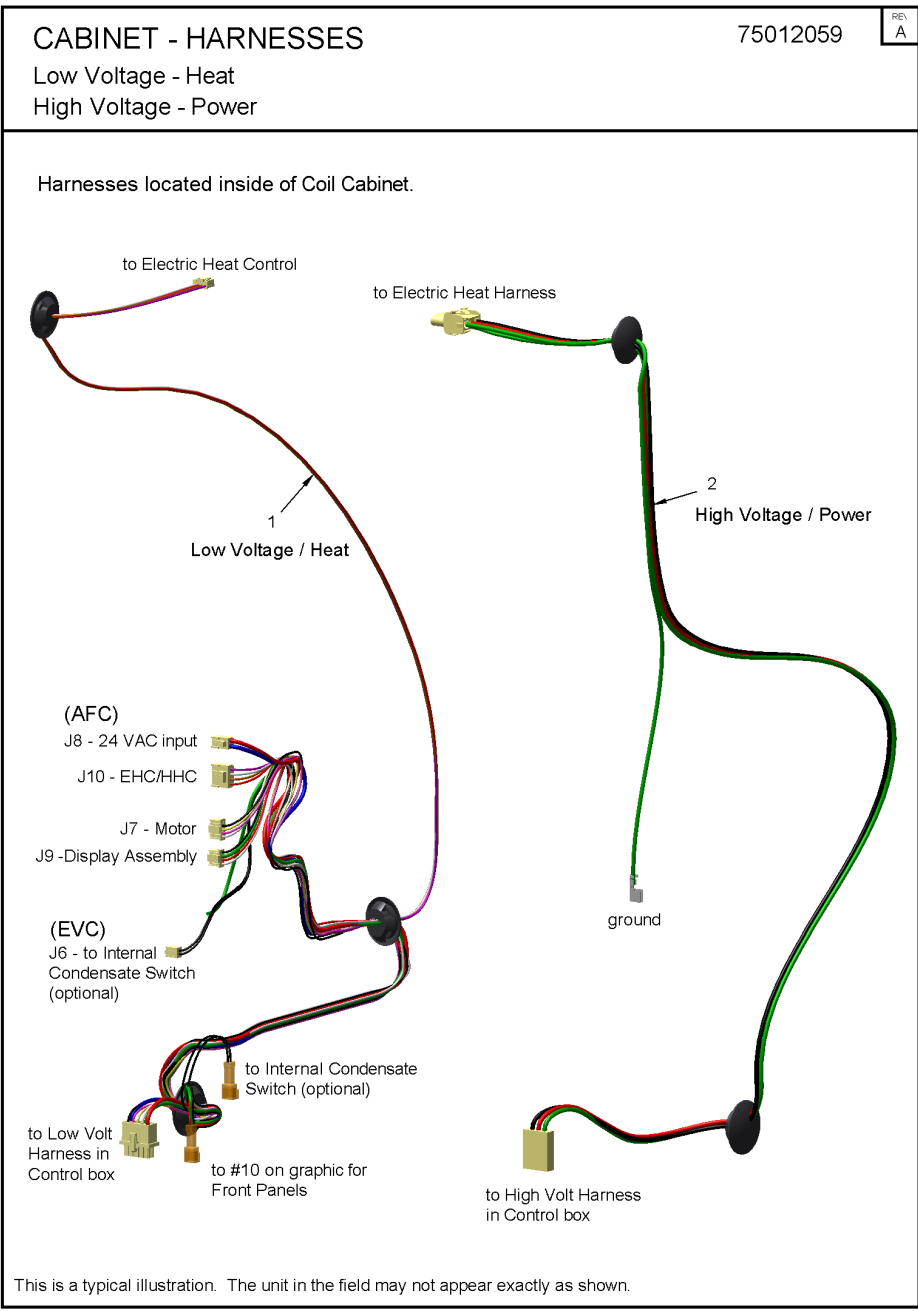
Part No.	Reference No.	Quantity	Description
PAI00248	*	1	PAINT; 12 OZ SPRAY, ANTHRACITE GRAY (SHIPPING UOM 12 OZ HAZ)
COV05309	1	1	COVER; BREAKER, OUTER
COV04332	2	1	COVER; CONDENSATE DOWN FLOW, 3.4 X 1.6
COV04331	3	2	COVER; CONDENSATE HORIZONTAL, 3.8 X 2.7
PLT04632	4	1	PLATE; NAMEPLATE ASSEMBLY, INCLUDES LCD - TRANE
PLT04844	4	1	PLATE; NAMEPLATE ASSEMBLY - TRANE
PLT04845	4	1	PLATE; NAMEPLATE ASSEMBLY - AMERICAN STANDARD
CNT06198	5	1	CONTROL; DISPLAY ASSEMBLY
CNT06593	5	1	CONTROL; LCD MODULE ASSEMBLY, INCLUDES DISPLAY BASE, CDA-PCB CONTROL AND HARNESS
WIR06641	5	1	WIRE; HARNESS, DISPLAY ASSEMBLY, 10 IN LENGTH, 4 WIRE TWISTED CABLE (BK,GR,RD,WH)
PNL31503	6	1	PANEL; COIL ACCESS
PNL31435	7	1	PANEL; BLOWER ACCESS
KIT16484	8	1	KIT; BLOWER KNOB. INCLUDES (2 EA) OF KNOB/SCREW, RTR00819 & SCREW FASTENER
COV04327	9	1	COVER; CLEAR LED COVER 4.9 X 1.1
WIR06990	10	1	WIRE; HARNESS, COIL PANEL CONN, 33 IN LENGTH, 4 WIRES-22 AWG (BK,GR,RD,WH)
PNL31439	11	1	PANEL; FIXED
PNL31443	12	1	PANEL; HEATER ACCESS
COV05198	13	1	COVER; BREAKER



Parts List Number :75012064#TAM9AUP1

Model Number :TAM9A0A24V21DAA

Part No.	Reference No.	Quantity	Description
75012059_TAM9AUP1_152830-P	*		CABINET - LV/HEAT & HV/POWER HARNESSSES PARTS LIST



Parts List Number :75012064#TAM9AUP1

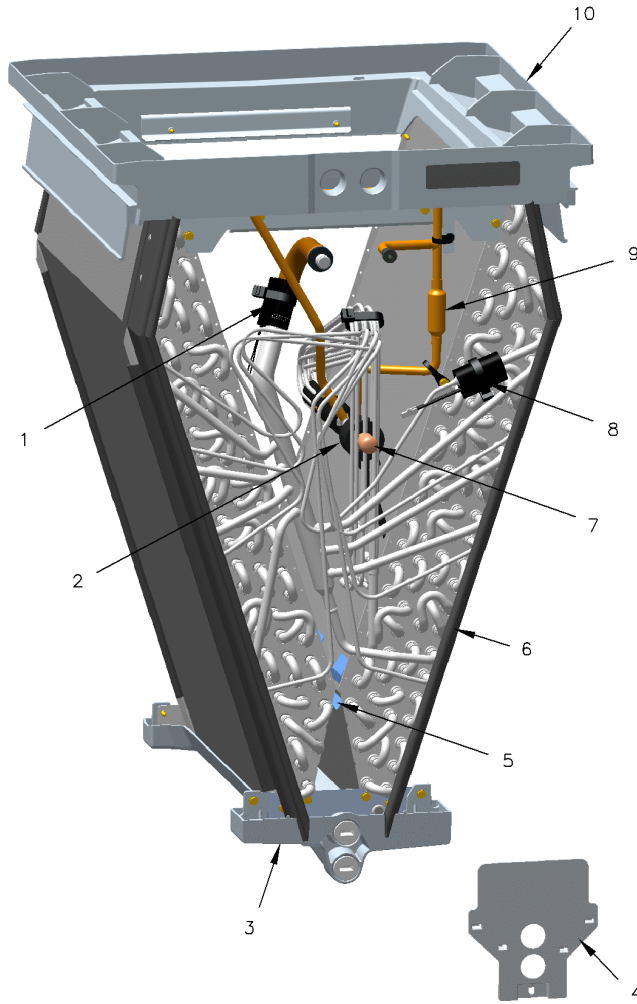
Model Number :TAM9A0A24V21DAA

<b>Part No.</b>	<b>Reference No.</b>	<b>Quantity</b>	<b>Description</b>
WIR08845	1	1	WIRE; HARNESS, HEATER, LOW VOLTAGE
WIR07383	2	1	WIRE; HARNESS, CONTROL BOX, HIGH VOLT, 50 IN LENGTH, 3 WIRES-16 AWG (BK,GR,RD), 1 WIRE-18 AWG (GR)

COIL

75012065

REV  
A



This is a typical illustration. The unit in the field may not appear exactly as shown.

Parts List Number :75012064#TAM9AUP1

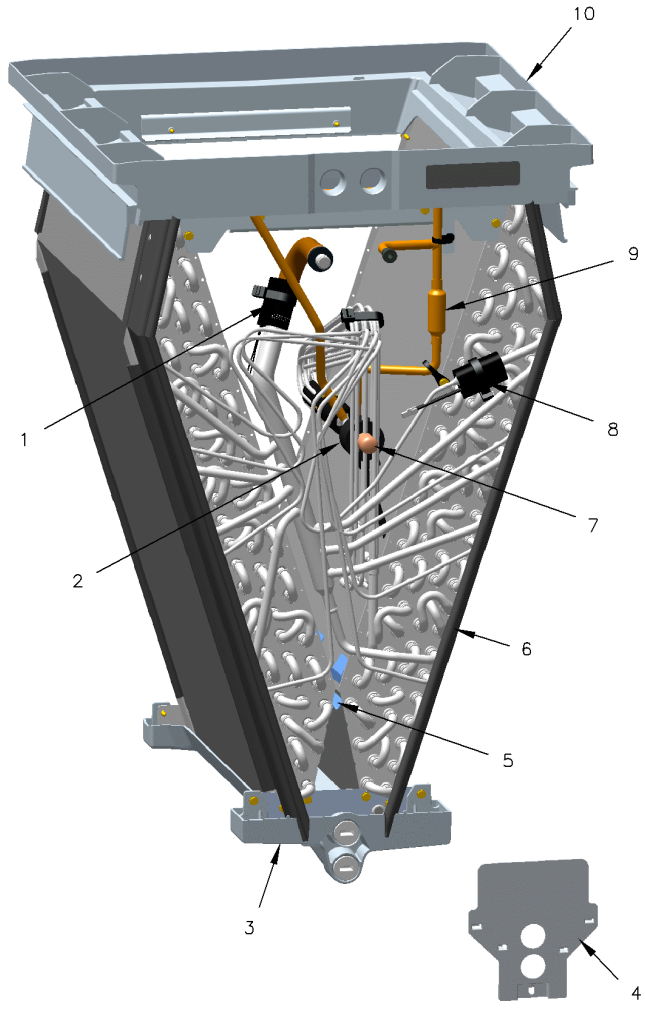
Model Number :TAM9A0A24V21DAA

Part No.	Reference No.	Quantity	Description
75012065_TAM9AUP1_177383-P	*		COIL PARTS LIST

COIL

75012065

REV.  
A



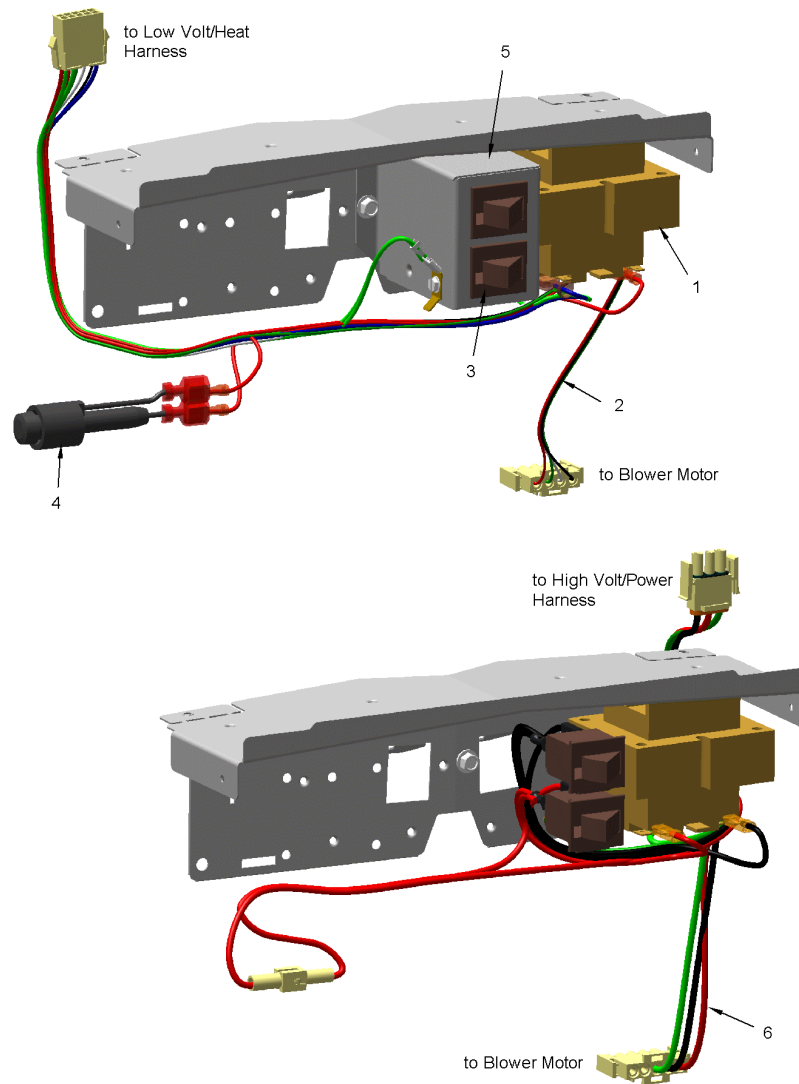
This is a typical illustration. The unit in the field may not appear exactly as shown.

Part No.	Reference No.	Quantity	Description
BAF01360	*	1	BAFFLE; COIL FRONT BAFFLE KIT, INCLUDES RIGHT AND LEFT BAFFLE
BAF01368	*	1	BAFFLE; COIL REAR BAFFLE KIT, INCLUDES RIGHT AND LEFT BAFFLE
BUS00324	*	1	BUSHING; SNAP, .562 OD, .50 MOUNTING HOLE DIAMETER, BLACK NYLON .135 THICK
GRM01008	*	1	GROMMET; 3/4 INCH LINE SET
GRM01009	*	1	GROMMET; 3/8 INCH LINE SET
PLU01169	*	1	PLUG; THREADED 3/4
SEN02134	1	1	SENSOR; THERMISTOR TEMPERATURE SENSOR, 30 INCH BLACK LEAD WIRES, CLIP FOR 3/4 TUBING
MOT15213	2	1	MOTOR; EEV STEPPER MOTOR
PLU01169	2	2	PLUG; THREADED 3/4
PAN03350	3	1	PAN-DRAIN UF MEDIUM
PLT04861	4	1	PLATE; SEAL
DIV00329	5	1	DIVERTER; WATER, 16.31 L X 1.30 W X 1.97 H
COL18184	6	1	COIL; COIL & DRAIN PAN ASSEMBLY, BLACK EPOXY
TUB13079	7	1	TUBE; ASSEMBLY. INCLUDES EEV, STRAINER, LIQUID & TRANSITION TUBES, INSULATION
VAL10196	7	1	VALVE; EEV
SEN02124	8	1	SENSOR; SAT. LINE TEMPERATURE SENSOR, 25 INCH ORANGE LEAD WIRES, FOR 3/8 TUBING
SRN00973	9	1	STRAINER; COPPER, 2.75 L, 0.38 ID X 0.32 ID
PAN03092	10	1	PAN; DRAIN DOWN FLOW, 14.4 X 19.6

CONTROL PANEL

75012062

REV.  
A



This is a typical illustration. The unit in the field may not appear exactly as shown.

Parts List Number :75012064#TAM9AUP1

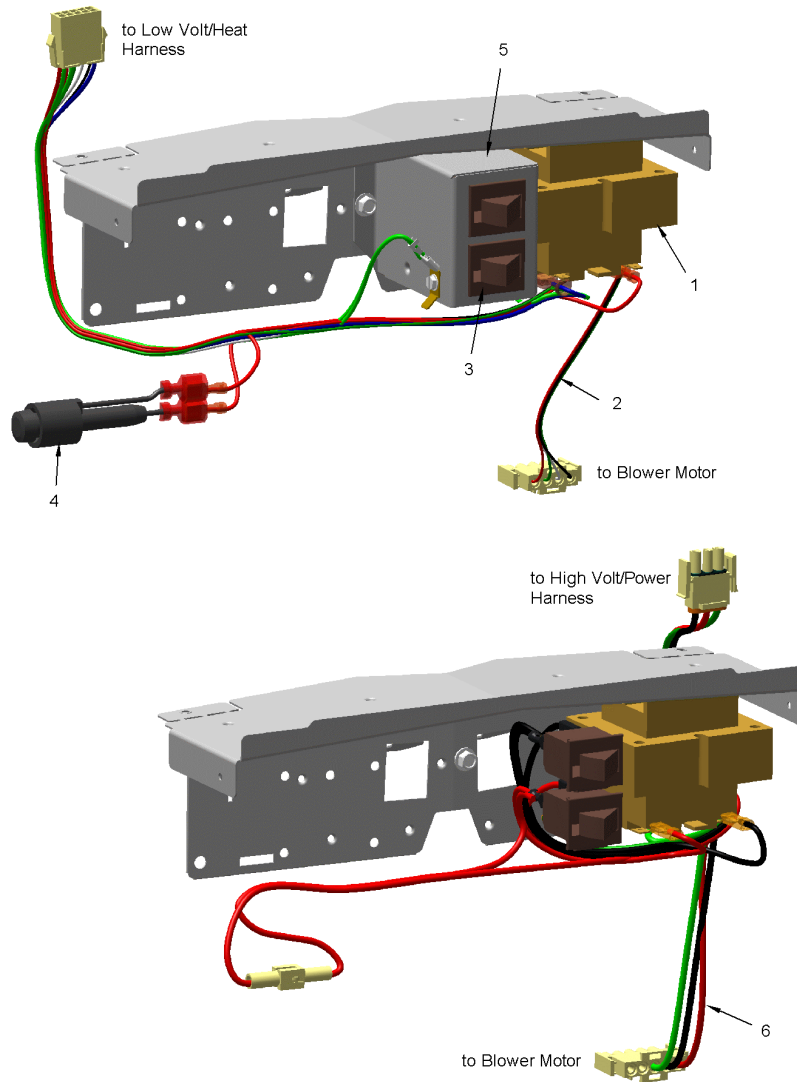
Model Number :TAM9A0A24V21DAA

Part No.	Reference No.	Quantity	Description
75012062_TAM9AUP1_152831~P	*		CONTROL PANEL PARTS LIST

CONTROL PANEL

75012062

REV.  
A



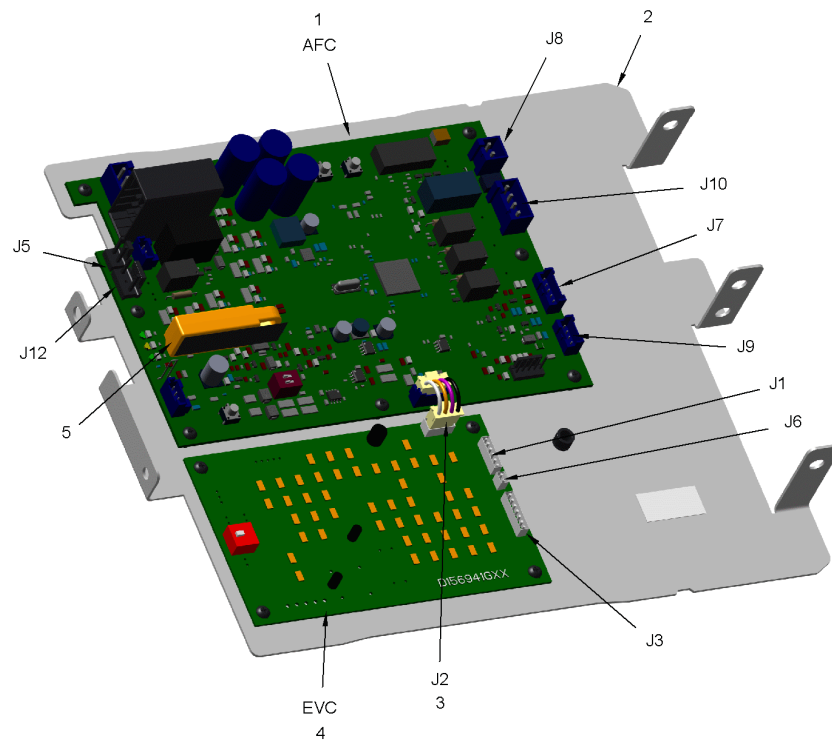
This is a typical illustration. The unit in the field may not appear exactly as shown.

<b>Part No.</b>	<b>Reference No.</b>	<b>Quantity</b>	<b>Description</b>
TRR01558	1	1	TRANSFORMER; 75VA, 200/230V PRI, 24V SEC, QUICK CONNECTS
WIR08720	2	1	WIRE; HARNESS, CONTROL BOX, LOW VOLTAGE
SWT01714	3	2	SWITCH; DOOR SPST, 21 AMP, 125/250VAC
FUS01776	4	1	FUSE; 3.2 AMP, WITH HOLDER AND QUICK CONNECTS
BRK04142	5	1	BRACKET; DOOR SWITCH
WIR08721	6	1	WIRE; HARNESS, CONTROL BOX, HIGH VOLTAGE

CONTROL BOARDS

75012063

REV.  
A



This is a typical illustration. The unit in the field may not appear exactly as shown.

Parts List Number :75012064#TAM9AUP1

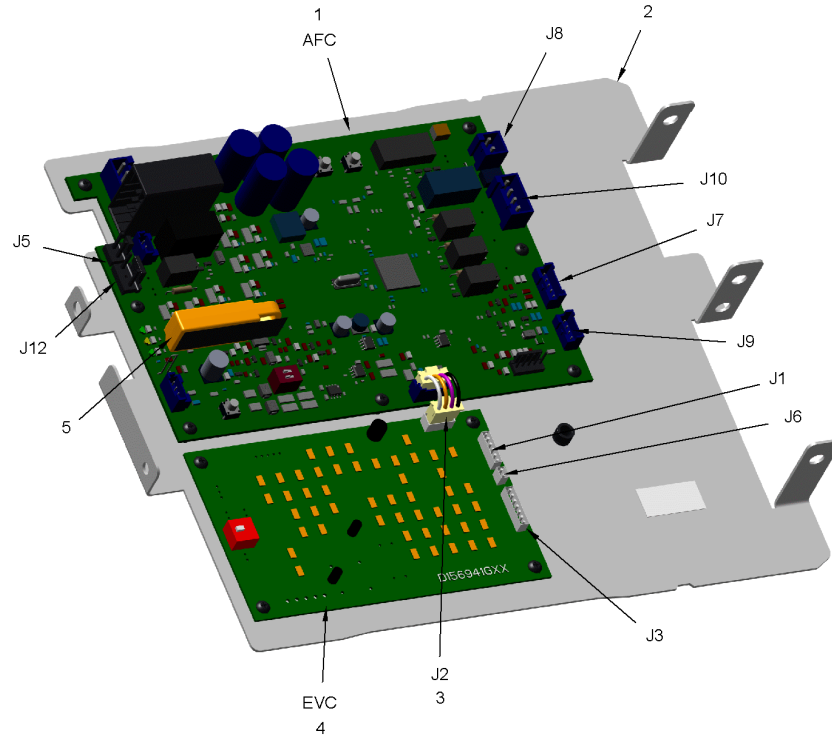
Model Number :TAM9A0A24V21DAA

Part No.	Reference No.	Quantity	Description
75012063_TAM9AUP1_152832-P	*		CONTROL BOARDS PARTS LIST

CONTROL BOARDS

75012063

REV  
A



This is a typical illustration. The unit in the field may not appear exactly as shown.

Part No.	Reference No.	Quantity	Description
WIR08715	*	1	WIRE; HARNESS, PIGTAIL - SENSOR (J12 ON AFC TO HUMIDIFIER RELAY)
WIR08716	*	1	WIRE; HARNESS, PIGTAIL - SENSOR (J5 ON AFC TO EXTERNAL SHUTOFF INPUT)
WIR08719	*	1	WIRE; HARNESS, J1 PLUG ON AFC, 12 PIN PLUG, 12 WIRES
CNT07622	1	1	CONTROL; PCB ASSEMBLY, AIR FLOW CONTROL (AFC)
PLT06197	2	1	PLATE ASM-CONTROL MNT
WIR06515	3	1	WIRE; HARNESS, JUMPER, DC CONTROL, 1.50 LENGTH, 4 WIRES-22 AWG (BK,GR,RD,WH)
CNT07690	4	1	CONTROL; BOARD ASSEMBLY, ELECTRONIC VALVE CONTROL
MOD01913	5	1	MODULE; TO ORDER-SEE EXT NOTE (PERSONALITY MODULE)

OPTIONAL ACCESSORIES

Parts List Number :75012064#TAM9AUP1

Model Number :TAM9A0A24V21DAA

Part No.	Reference No.	Quantity	Description
OPTIONS_TAM9AUP1_177385-P	*		OPTIONAL ACCESSORIES PARTS LIST

NO GRAPHIC AVAILABLE

75013702

REV  
A

**NO  
GRAPHIC  
AVAILABLE**

Part No.	Reference No.	Quantity	Description
BAYBAFKT175A	*	1	KIT; SOUND BAFFLE KIT 17.5 INCH CABINET
BAYCNDPIP01A	*	1	KIT-PVC ADAPTER
BAYEAAC04BK1BA	*	1	HEATER; ASSEMBLY, 5 KW
BAYEAAC04LG1BA	*	1	HEATER; ASSEMBLY, 5 KW
BAYEAAC05BK1BA	*	1	HEATER; ASSEMBLY, 5 KW
BAYEAAC08BK1BA	*	1	HEATER; ASSEMBLY 8KW, WITH CIRCUIT BREAKER
BAYEAAC08LG1BA	*	1	HEATER; ASSEMBLY 8KW
BAYEAAC10BK1BA	*	1	HEATER; ASSEMBLY 10KW, WITH CIRCUIT BREAKER
BAYEAAC10LG1BA	*	1	HEATER; ASSEMBLY 10KW, WITH LUGS
BAYEAAC10LG3BA	*	1	HEATER; ASSEMBLY 10KW, 3 PH
BAYECAA05LG1BA	*	1	HEATER; 5KW LUGS 24V 1PH
BAYECAA10LG1BA	*	1	HEATER; 10KW LUGS 24V 1PH
BAYFLR1620A	*	1	10 QTY FILTER PACK 16X20
BAYFRKIT175A	*	1	KIT; FRONT RETURN
BAYINSKIT175A	*	1	NO DESCRIPTION AVAILABLE
KIT15759	*	1	KIT; DUCT FLANGE ASSEMBLY RETURN FOR CANINET A (BAYRETFLGAAA)
KIT15760	*	1	KIT; DUCT FLANGE ASSEMBLY SUPPLY FOR A CABINET (BAYSUPFLGAAA)
KIT15865	*	1	KIT; SIDE RETURN (BAYSRKIT100A)
KIT15866	*	1	KIT; HORIZONTAL HANGING (BAYHHKIT001A)
KIT15867	*	1	KIT; LOW VOLTAGE BOX (BAYLVKIT100A)
KIT15869	*	1	KIT; HYDRONIC HEAT COIL FOR CANINET A (BAYWVAA05SC1AAA)
KIT15873	*	1	KIT; SINGLE POINT POWER ENTRY (BAYSPEKT200A)
KIT15973	*	1	KIT; INTERNAL CONDENSATE SWITCH (BAYICKIT01A)
KIT18054	*	1	KIT; EMI/EFI AIR HANDLER ELECTRIC NOISE KIT FOR VARIABLE SPEED BLOWER MOTOR (BAYAHMIKIT001A)
LIT01103	*	1	LIGHT; UV KIT (BAYUVCLK001AA)
TASB175SB	*	1	17.5 STAND W/ SOUND BAFFLE
TASSBK175	*	1	KIT; 17.5 SOUND BAFFLE KIT
TAYBASETAMA	*	1	KIT; DOWNFLOW SUB-BASE KIT

MODEL NUMBER DESCRIPTION

75010531

REV.  
A

AIR HANDLER

*Example Model Number:*

**GAM5B0B36M31SAA**  
1 - - - 5 - - - 10 - - - 15

**Digit 1 – Brand**

T = Trane  
G = Good (Trane Branded)

**Digit 2 – Product Type**

A = Air Handler

**Digit 3 – Convertibility**

M = Multi-positional 4-way  
F = Upflow Front Return, 3-way  
T = 3-way

**Digit 4 – Product Tier**

2 = Good. Entry Level Feature Set  
4 = Better. Retail Replacement Mid Efficiency  
5 = Better. Entry Level High Efficiency, Multi-Speed  
7 = Best. Retail Replacement High Efficiency, Variable-Speed  
8 = Best. Retail Ultimate High Efficiency, Variable-Speed  
9 = Best, Comm/24V Variable-Speed  
G = Best. Geothermal

**Digit 5 – Major Design Change**

**Digit 6 – No Descriptor**

0 = Air Handler / Coil

**Digit 7 – Size (Footprint)**

A = 17.5 x 21.8  
B = 21.3 x 21.8  
C = 23.5 x 21.8

**Digits 8, 9 – Cooling Size: Air Handler or Coil**

0-9 = AH Coil - 1000 BTU's (18, 24, 30, 36, 42, 48, 60)

**Digits 10, 11 – Airflow Type & Capacity**

S = Low Efficiency PSC, 1-5 Nominal Tonnage (cfm/ton)  
M = Mid Efficiency Multi-Speed, 1-5 Nominal Tonnage (cfm/ton)  
H = High Efficiency Variable Speed, 1-5 Nominal Tonnage (cfm/ton)  
V = High Efficiency Variable Speed, 1-5 Nominal Tonnage (cfm/ton)

**Digit 12 – Power Supply**

1 = 208-230/60/1

**Digit 13 – System Control Type**

S = Standard - 24 VAC  
C = CLII 13.8 VDC  
E = Black Epoxy Coil

**Digit 14 – Minor Design Change**

**Digit 15 – Unit Parts Identifier**

Part No.	Reference No.	Quantity	Description
75010531_TAM9AUP1_152826-P	*		MODEL NUMBER DESCRIPTION PARTS LIST

MODEL NUMBER DESCRIPTION	75010531	REV A
<i>Example Model Number:</i>		
<b>GAM5B0B36M31SAA</b> <small>1 - - - - 5 - - - - 10 - - - - 15</small>		
<b>Digit 1 – Brand</b>		
T = Trane G = Good (Trane Branded)		
<b>Digit 2 – Product Type</b>		
A = Air Handler		
<b>Digit 3 – Convertibility</b>		
M = Multi-positional 4-way F = Upflow Front Return, 3-way T = 3-way		
<b>Digit 4 – Product Tier</b>		
2 = Good. Entry Level Feature Set 4 = Better. Retail Replacement Mid Efficiency 5 = Better. Entry Level High Efficiency, Multi-Speed 7 = Best. Retail Replacement High Efficiency, Variable-Speed 8 = Best. Retail Ultimate High Efficiency, Variable-Speed 9 = Best, Comm/24V Variable-Speed G = Best. Geothermal X = Premium, Link Communicating /24V		
<b>Digit 5 – Major Design Change</b>		
<b>Digit 6 – No Descriptor</b>		
0 = Air Handler / Coil		
<b>Digit 7 – Size (Footprint)</b>		
A = 17.5 x 21.8 B = 21.3 x 21.8 C = 23.5 x 21.8		
<b>Digits 8, 9 – Cooling Size: Air Handler or Coil</b>		
0-9 = AH Coil - 1000 BTU's (18, 24, 30, 36, 42, 48, 60)		
<b>Digits 10, 11 – Airflow Type &amp; Capacity</b>		
S = Low Efficiency PSC, 1-5 Nominal Tonnage (cfm/ton) M = Mid Efficiency Multi-Speed, 1-5 Nominal Tonnage (cfm/ton) H = High Efficiency Variable Speed, 1-5 Nominal Tonnage (cfm/ton) V = High Efficiency Variable Speed, 1-5 Nominal Tonnage (cfm/ton)		
<b>Digit 12 – Power Supply</b>		
1 = 208-230/60/1		
<b>Digit 13 – System Control Type</b>		
S = Standard - 24 VAC C = CLII 13.8 VDC E = Black Epoxy Coil		
<b>Digit 14 – Minor Design Change</b>		
<b>Digit 15 – Unit Parts Identifier</b>		

