

AIR HANDLER

75010505

REV  
A

TYPICAL ILLUSTRATION



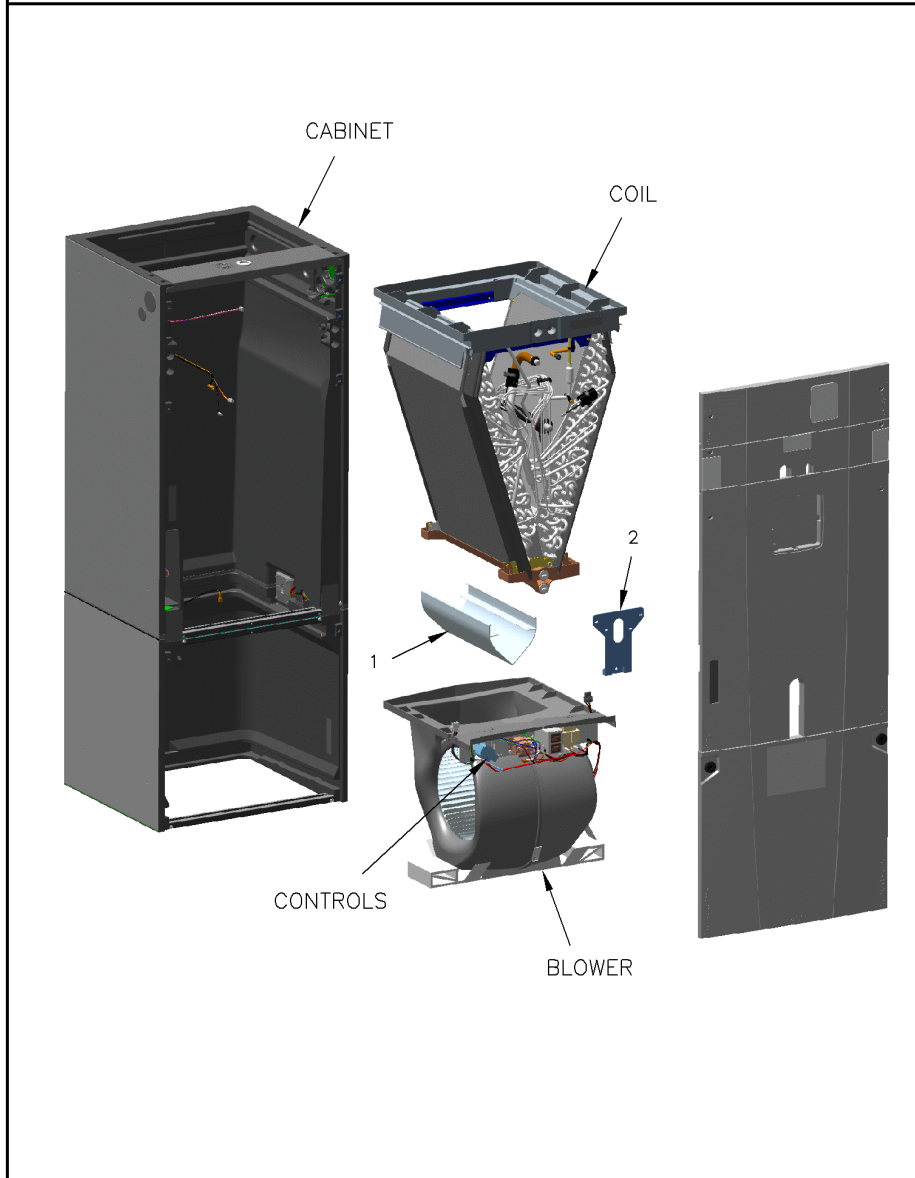
<b>Part No.</b>	<b>Reference No.</b>	<b>Quantity</b>	<b>Description</b>
75010505_TAM4AUP3_317426~P	*		AIR HANDLER PARTS LIST
75010504#TAM4AUP3~S	*		BLOWER
75010506#TAM4AUP3~S	*		CABINET
75010507#TAM4AUP3~S	*		COIL
75010524#TAM4AUP3~S	*		CONTROLS
75010531#TAM4AUP3~S	*		MODEL DESCRIPTION
OPTIONS#TAM4AUP3~S	*		OPTIONAL ACCESSORIES

AIR HANDLER

75010505

REV  
A

TYPICAL ILLUSTRATION



Part No.	Reference No.	Quantity	Description
BUS00324	*	1	BUSHING; SNAP, .562 OD, .50 MOUNTING HOLE DIAMETER, BLACK NYLON .135 THICK
GRM01009	*	1	GROMMET; 3/8 INCH LINE SET
GRM01010	*	1	GROMMET; 7/8 INCH LINE SET
PAI00248	*	1	PAINT; 12 OZ SPRAY, ANTHRACITE GRAY (SHIPPING UOM 12 OZ HAZ)
PLU01169	*	1	PLUG; THREADED 3/4
WIR06512	*	1	WIRE; HARNESS, JUNCTION, 16 AWG, 3 PIN, (BK,RD,GR) 12 IN LENGTH
DIV00225	1	1	DIVERter; AIR DIVERter 14.8T X 5.9W X 4.8T
PLT04861	2	1	PLATE; SEAL

BLOWER

75010504

REV  
A

TYPICAL ILLUSTRATION



Part No.	Reference No.	Quantity	Description
75010504_TAM4AUP3_317427-P	*		BLOWER PARTS LIST

BLOWER

75010504

REV  
A

TYPICAL ILLUSTRATION



Part No.	Reference No.	Quantity	Description
BLW01168	*	1	BLOWER; ASSEMBLY, COMPLETE. INCLUDES HOUSING, WHEEL, BRACKETS, MOTOR
CMP01415	1	4	CLAMP; BLOWER HOUSING CLEAT
WHL02915	2	1	WHEEL; BLOWER, 11.7 IN DIA X 10.6 IN WIDE, 0.50 IN BORE, CW ROTATION
HUS03894	3	1	HOUSING; MOLDED BLOWER, INCLUDES LEFT & RIGHT MOLDED HALF & CLP01123 QTY OF 5
MOT14040	4	1	MOTOR; PSC, 1/2 HP, 230V, 60 HZ, 1075 RPM, 48 FRAME, BALL BEARINGS
NUT01063	5	1	NUT; LOCKING NYLON
SCR01584	5	1	BOLT; 1/4-20 MA HX 1.5 S
BND00910	6	1	BAND; MOTOR MOUNT
BRK04223	7	3	BRACKET; MOTOR ARM
SCR02112	8	3	SCREW; ASSEMBLY-MOTOR MOUNT

CABINET

75010506

REV.  
A

TYPICAL ILLUSTRATION



Parts List Number :75010505#TAM4AUP3

Model Number :TAM4A0C48S41SDA

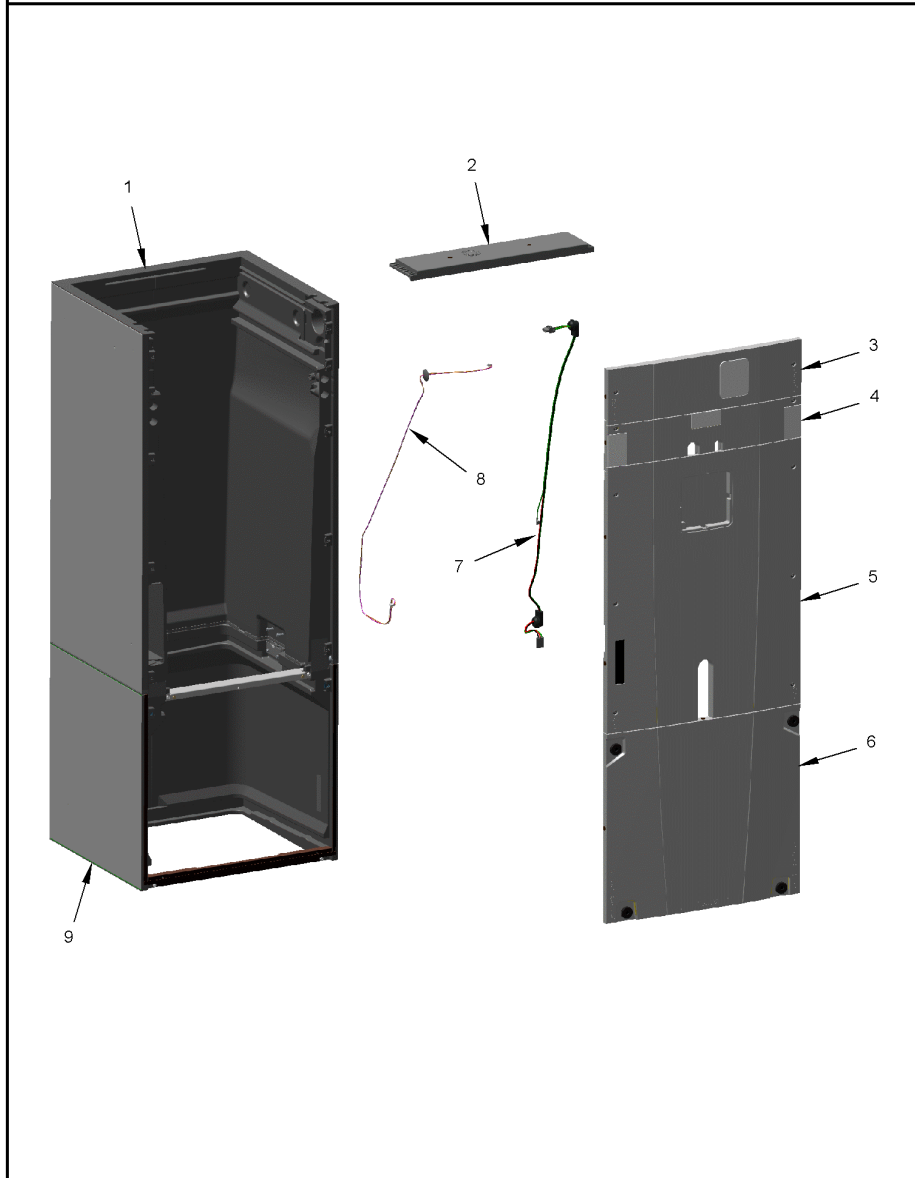
Part No.	Reference No.	Quantity	Description
75010506_TAM4AUP3_317428-P	*		CABINET PARTS LIST

CABINET

75010506

REV.  
A

TYPICAL ILLUSTRATION



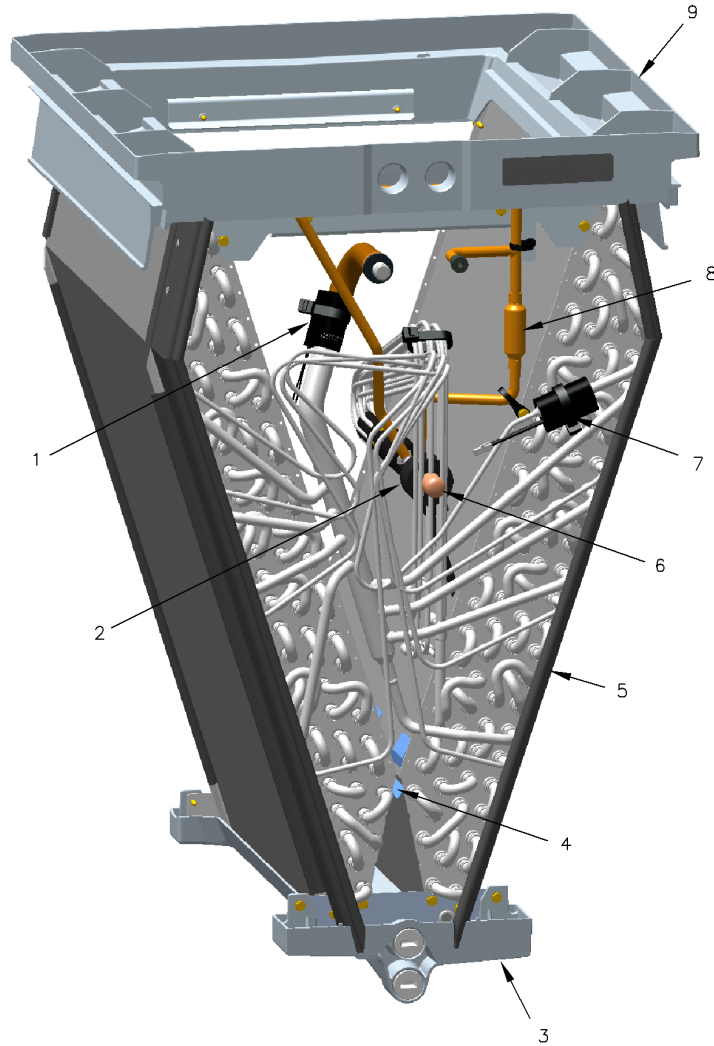
Part No.	Reference No.	Quantity	Description
CBT01789	*	1	SUPPORT; CABINET CROSSBAR
KIT15812	*	1	KIT; LATCH BAIL QTR TURN PANEL MOUNTING HARDWARE (BLOWER DOOR)
KIT15813	*	1	KIT; LATCH QTR TURN PANEL MOUNTING HARDWARE (HEATER DOOR)
KIT15955	*	1	KIT; RECEPTACLE 1/2 TURN FASTENER, INCLUDES 24 PIECES
LAT00885	*	1	LATCH; RECEPTACLE ROTARY
LAT00887	*	1	LATCH; RECEPTACLE ROTARY
CBT01799	1	1	CABINET; ASSEMBLY, COIL. INCLUDES WIR07396 & WIR07383
PNL31498	2	1	PANEL; TOP
PNL31441	3	1	PANEL; HEATER ACCESS
WAS01176	3	2	WASHER; BLACK RUBBER, 0.75 OUTER DIA X 0.17 INNER DIA X 0.093 THICK
COV04331	4	2	COVER; CONDENSATE HORIZONTAL, 3.8 X 2.7
COV04332	4	1	COVER; CONDENSATE DOWN FLOW, 3.4 X 1.6
PNL31437	4	1	PANEL; FIXED
WAS01176	4	2	WASHER; BLACK RUBBER, 0.75 OUTER DIA X 0.17 INNER DIA X 0.093 THICK
COV04327	5	1	COVER; CLEAR LED COVER 4.9 X 1.1
PNL31428	5	1	PANEL; COIL ACCESS
WAS01176	5	6	WASHER; BLACK RUBBER, 0.75 OUTER DIA X 0.17 INNER DIA X 0.093 THICK
PNL31433	6	1	PANEL; BLOWER ACCESS
WAS01176	6	4	WASHER; BLACK RUBBER, 0.75 OUTER DIA X 0.17 INNER DIA X 0.093 THICK
WIR07383	7	1	WIRE; HARNESS, CONTROL BOX, HIGH VOLT, 50 IN LENGTH, 3 WIRES-16 AWG (BK,GR,RD), 1 WIRE-18 AWG (GR)
WIR07396	8	1	WIRE; HARNESS, STAT HEAT CONTROL, 68 IN LENGTH, 4 WIRES-22 AWG (BR,PK,PR,WH)
CBT01631	9	1	CAB-BLOWER; C; SUB

COIL

75010507

REV.  
A

TYPICAL ILLUSTRATION



Parts List Number :75010505#TAM4AUP3

Model Number :TAM4A0C48S41SDA

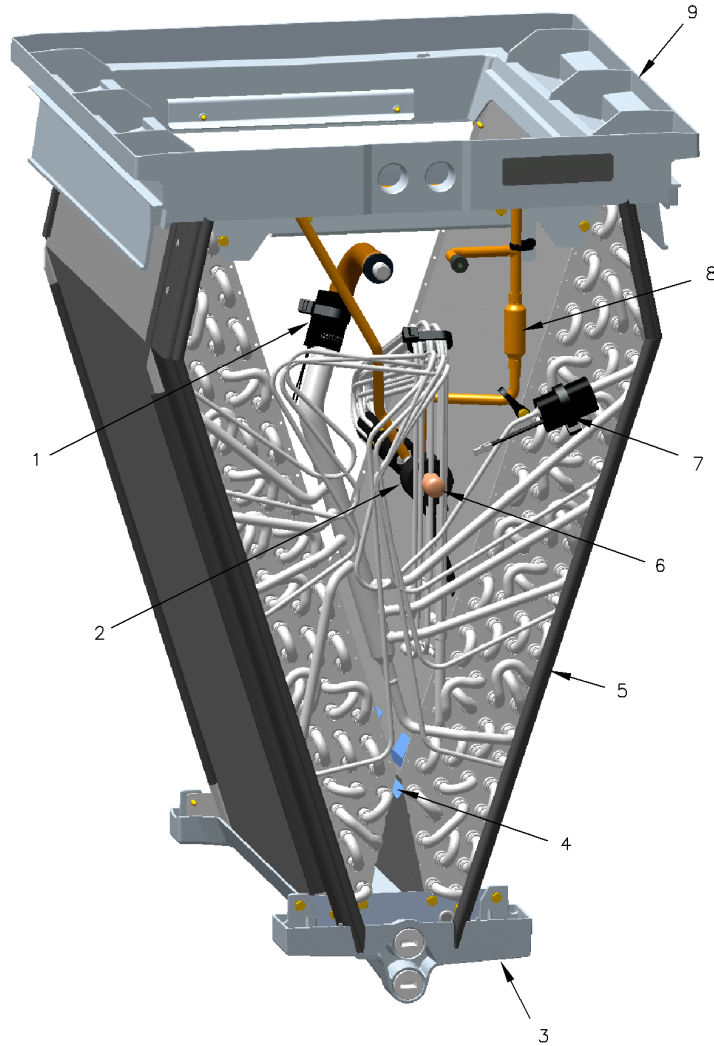
Part No.	Reference No.	Quantity	Description
75010507_TAM4AUP3_345178-P	*		COIL PARTS LIST

COIL

75010507

REV.  
A

TYPICAL ILLUSTRATION



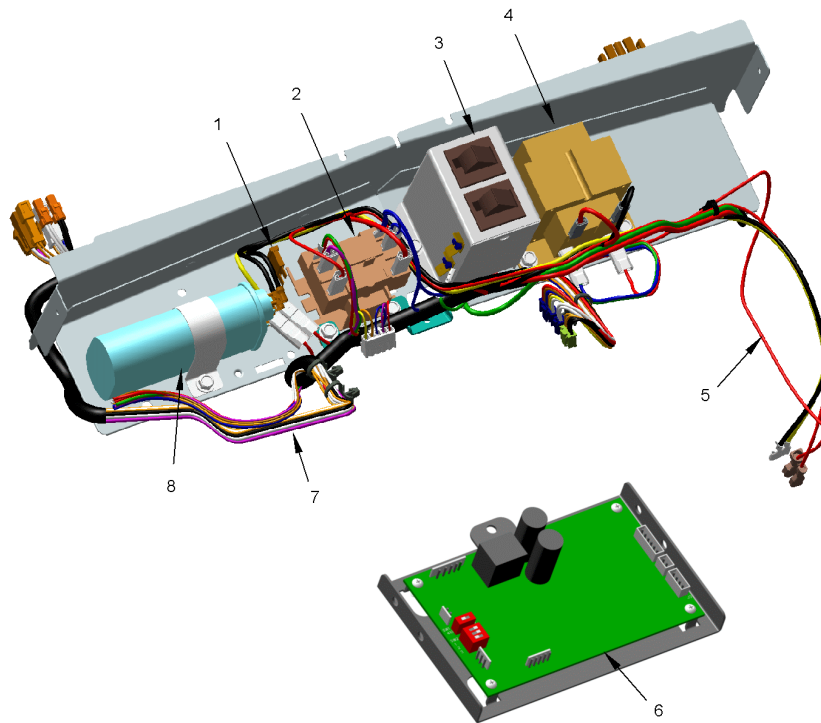
Part No.	Reference No.	Quantity	Description
BAF01362	*	1	BAFFLE; COIL FRONT BAFFLE KIT, INCLUDES RIGHT AND LEFT BAFFLE
BAF01370	*	1	BAFFLE; COIL REAR BAFFLE KIT, INCLUDES RIGHT AND LEFT BAFFLE
SEN02134	1	1	SENSOR; THERMISTOR TEMPERATURE SENSOR, 30 INCH BLACK LEAD WIRES, CLIP FOR 3/4 TUBING
MOT15213	2	1	MOTOR; EEV STEPPER MOTOR
PAN03096	3	1	PAN; DRAIN UP FLOW, 19.5 X 7.3
DIV00329	4	1	DIVERTER; WATER, 16.31 L X 1.30 W X 1.97 H
COL18197	5	1	COIL; COIL & DRAIN PAN ASSEMBLY
VAL10484	6	1	VALVE; EEV
SEN02124	7	1	SENSOR; SAT. LINE TEMPERATURE SENSOR, 25 INCH ORANGE LEAD WIRES, FOR 3/8 TUBING
SRN00973	8	1	STRAINER; COPPER, 2.75 L, 0.38 ID X 0.32 ID
PAN03094	9	1	PAN; DRAIN DOWN FLOW, 20.4 X 19.8

CONTROLS

75010524

REV.  
A

TYPICAL ILLUSTRATION



Parts List Number :75010505#TAM4AUP3

Model Number :TAM4A0C48S41SDA

Part No.	Reference No.	Quantity	Description
75010524_TAM4AUP3_317430-P	*		CONTROLS PARTS LIST



Part No.	Reference No.	Quantity	Description
KIT16176	*	1	KIT; WIRE HARNESS HEATER, 24 VAC
WIR07196	*	1	WIRE; HARNESS, EEV/SENSORS, 30 IN LENGTH, 12 WIRES-22 AWG (BK,BL,BR,OR,RD,WH,YL)
FUS01089	1	1	FUSE; 5 AMP, TAN, AUTOMOTIVE STYLE
RLY01384	2	1	RELAY; 240/480V, 24V COIL
BRK04142	3	1	BRACKET; DOOR SWITCH
SWT01714	3	2	SWITCH; DOOR SPST, 21 AMP, 125/250VAC
TRR02266	4	1	TRANSFORMER; 50VA, 208/240V PRI, 24V SEC
WIR07393	5	1	WIRE; HARNESS, CONTROL BOX, HIGH VOLT, 22 IN LENGTH, 3 WIRES-16 AWG (BK,GR,YL,RD), 5 WIRES-18 AWG (BK,RD)
CNT06902	6	1	CONTROL; BOARD ASSEMBLY, ELECTRONIC VALVE CONTROL
WIR07389	7	1	WIRE; HARNESS, LOW VOLT/HEAT CONTROL, 34 IN LENGTH, 2 WIRES-22 AWG (PR,WH)
CPT01897	8	1	CAPACITOR; 20 MFD, 370V, OVAL, W/O RESISTOR

OPTIONAL ACCESSORIES

Parts List Number :75010505#TAM4AUP3

Model Number :TAM4A0C48S41SDA

Part No.	Reference No.	Quantity	Description
OPTIONS_TAM4AUP3_180056-P	*		OPTIONAL ACCESSORIES PARTS LIST

NO GRAPHIC AVAILABLE

75013702

REV  
A

**NO  
GRAPHIC  
AVAILABLE**

Part No.	Reference No.	Quantity	Description
BAYEAC10LG3AA	*	1	HEATER; 10 KW HEATER 208/240/3(BAYEAC10LG3AA)
BAYEABC15LG3AA	*	1	HEATER; 15 KW HEATER 208/240/3(BAYEABC15LG3AA)
FLR07870	*	1	FILTER; HIGH VELOCITY FILTER KIT 22 X 20 X 1 - 10 FILTERS (BAYFLR2220A)
HTR11104	*	1	HEATER; HEATER ASSY, 5KW , (BAYEAC05BK1AAA)
HTR11105	*	1	HEATER; HEATER ASSY, 5KW , (BAYEAC05LG1AAA)
HTR11106	*	1	HEATER; HEATER ASSY, 8KW , (BAYEAC08BK1AAA)
HTR11107	*	1	HEATER; HEATER ASSY, 8KW , (BAYEAC08LG1AAA)
HTR11108	*	1	HEATER; HEATER ASSY, 10KW , (BAYEAC10BK1AAA)
HTR11109	*	1	HEATER; HEATER ASSY, 10KW , (BAYEAC10LG1AAA)
HTR11110	*	1	HEATER; HEATER ASSY, 15KW , (BAYEABC15BK1AAA)
HTR11111	*	1	HEATER; HEATER ASSY, 20KW , (BAYEABC20BK1AAA)
HTR11112	*	1	HEATER; HEATER ASSY, 25KW , (BAYEACC25BK1AAA)
HTR11988	*	1	HEATER; HEATER ASSY, 10KW , (BAYEVAC10LG3AAA)
HTR11989	*	1	HEATER; HEATER ASSY, 15KW , (BAYEVBC15LG3AAA)
KIT15226	*	1	KIT; 23.5" CABINET MOUNTING STAND (TASB235)
KIT15765	*	1	KIT; DUCT FLANGE ASSEMBLY RETURN FOR CANINET C (BAYRETFLGCAA)
KIT15766	*	1	KIT; DUCT FLANGE ASSEMBLY SUPPLY FOR CANINET C (BAYSUPFLGCAA )
KIT15865	*	1	KIT; SIDE RETURN (BAYSRKIT100A)
KIT15866	*	1	KIT; HORIZONTAL HANGING (BAYHHKIT001A)
KIT15867	*	1	KIT; LOW VOLTAGE BOX (BAYLVKIT100A)
KIT15868	*	1	KIT; EEV SERVICE (BAYEVTSTKT1A). INCLUDES ENCLOSURE, PUSHBUTTON SWITCH AND EEV TEST KIT HARNESS
KIT15873	*	1	KIT; SINGLE POINT POWER ENTRY (BAYSPEKT200A)
KIT15973	*	1	KIT; INTERNAL CONDENSATE SWITCH (BAYICKKIT01A)
LIT01103	*	1	LIGHT; UV KIT (BAYUVCLK001AA)

MODEL NUMBER DESCRIPTION

75010531

REV.  
A

AIR HANDLER

*Example Model Number:*

**GAM5B0B36M31SAA**  
1 - - - 5 - - - 10 - - - 15

**Digit 1 – Brand**

T = Trane  
G = Good (Trane Branded)

**Digit 2 – Product Type**

A = Air Handler

**Digit 3 – Convertibility**

M = Multi-positional 4-way  
F = Upflow Front Return, 3-way  
T = 3-way

**Digit 4 – Product Tier**

2 = Good. Entry Level Feature Set  
4 = Better. Retail Replacement Mid Efficiency  
5 = Better. Entry Level High Efficiency, Multi-Speed  
7 = Best. Retail Replacement High Efficiency, Variable-Speed  
8 = Best. Retail Ultimate High Efficiency, Variable-Speed  
9 = Best, Comm/24V Variable-Speed  
G = Best. Geothermal

**Digit 5 – Major Design Change**

**Digit 6 – No Descriptor**

0 = Air Handler / Coil

**Digit 7 – Size (Footprint)**

A = 17.5 x 21.8  
B = 21.3 x 21.8  
C = 23.5 x 21.8

**Digits 8, 9 – Cooling Size: Air Handler or Coil**

0-9 = AH Coil - 1000 BTU's (18, 24, 30, 36, 42, 48, 60)

**Digits 10, 11 – Airflow Type & Capacity**

S = Low Efficiency PSC, 1-5 Nominal Tonnage (cfm/ton)  
M = Mid Efficiency Multi-Speed, 1-5 Nominal Tonnage (cfm/ton)  
H = High Efficiency Variable Speed, 1-5 Nominal Tonnage (cfm/ton)  
V = High Efficiency Variable Speed, 1-5 Nominal Tonnage (cfm/ton)

**Digit 12 – Power Supply**

1 = 208-230/60/1

**Digit 13 – System Control Type**

S = Standard - 24 VAC  
C = CLII 13.8 VDC  
E = Black Epoxy Coil

**Digit 14 – Minor Design Change**

**Digit 15 – Unit Parts Identifier**

Parts List Number :75010505#TAM4AUP3

Model Number :TAM4A0C48S41SDA

Part No.	Reference No.	Quantity	Description
75010531_TAM4AUP3_140215-P	*		MODEL DESCRIPTION PARTS LIST

**MODEL NUMBER DESCRIPTION**  
**AIR HANDLER**

75010531

REV  
A

*Example Model Number:*  
**GAM5B0B36M31SAA**  
1 - - - - 5 - - - - 10 - - - - 15

**Digit 1 – Brand**

T = Trane  
G = Good (Trane Branded)

**Digit 2 – Product Type**

A = Air Handler

**Digit 3 – Convertibility**

M = Multi-positional 4-way  
F = Upflow Front Return, 3-way  
T = 3-way

**Digit 4 – Product Tier**

2 = Good. Entry Level Feature Set  
4 = Better. Retail Replacement Mid Efficiency  
5 = Better. Entry Level High Efficiency, Multi-Speed  
7 = Best. Retail Replacement High Efficiency, Variable-Speed  
8 = Best. Retail Ultimate High Efficiency, Variable-Speed  
9 = Best, Comm/24V Variable-Speed  
G = Best. Geothermal  
X = Premium, Link Communicating /24V

**Digit 5 – Major Design Change**

**Digit 6 – No Descriptor**

0 = Air Handler / Coil

**Digit 7 – Size (Footprint)**

A = 17.5 x 21.8  
B = 21.3 x 21.8  
C = 23.5 x 21.8

**Digits 8, 9 – Cooling Size: Air Handler or Coil**

0-9 = AH Coil - 1000 BTU's (18, 24, 30, 36, 42, 48, 60)

**Digits 10, 11 – Airflow Type & Capacity**

S = Low Efficiency PSC, 1-5 Nominal Tonnage (cfm/ton)  
M = Mid Efficiency Multi-Speed, 1-5 Nominal Tonnage (cfm/ton)  
H = High Efficiency Variable Speed, 1-5 Nominal Tonnage (cfm/ton)  
V = High Efficiency Variable Speed, 1-5 Nominal Tonnage (cfm/ton)

**Digit 12 – Power Supply**

1 = 208-230/60/1

**Digit 13 – System Control Type**

S = Standard - 24 VAC  
C = CLII 13.8 VDC  
E = Black Epoxy Coil

**Digit 14 – Minor Design Change**

**Digit 15 – Unit Parts Identifier**

