

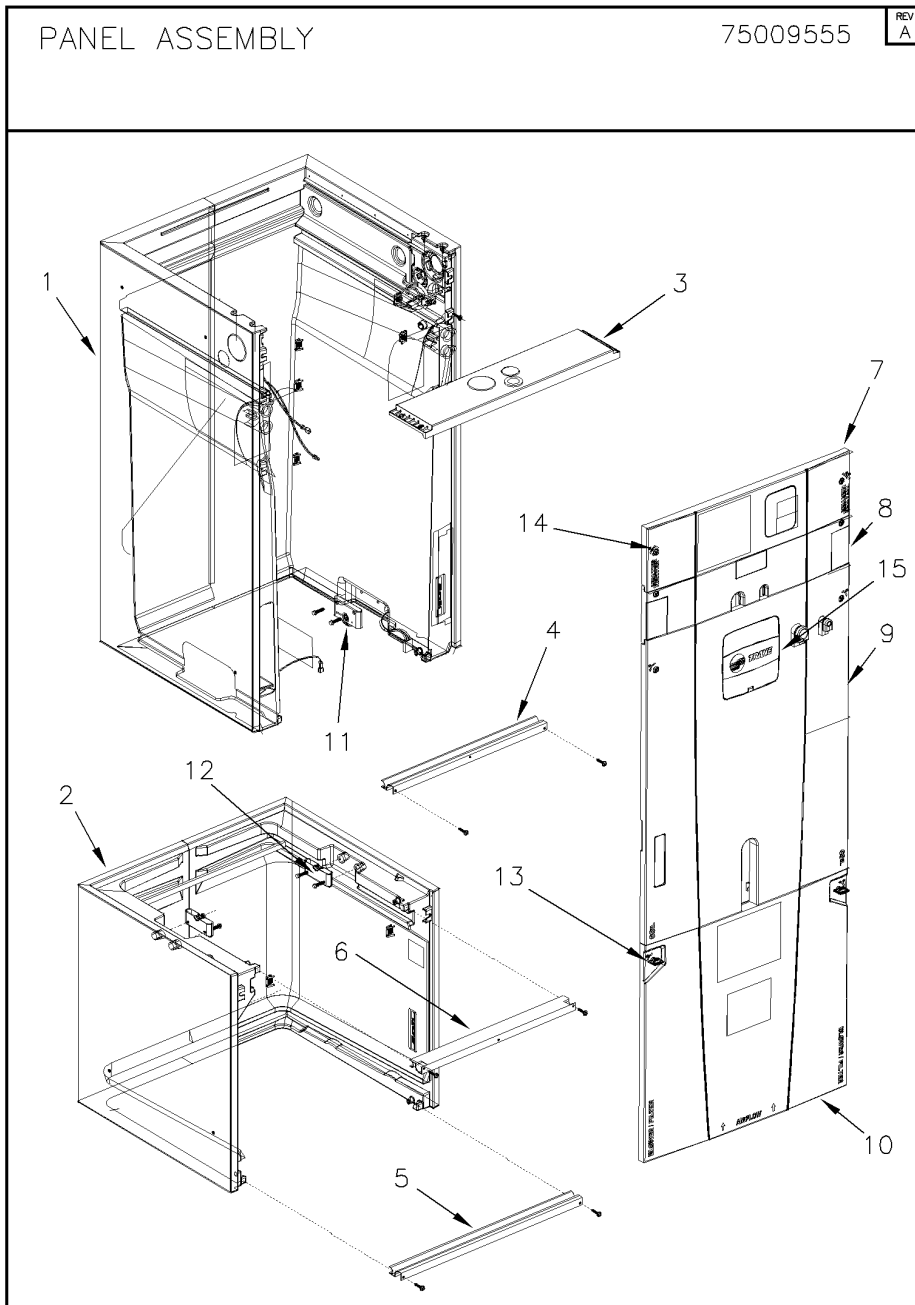
Part No.	Reference No.	Quantity	Description
75009557#TAM4AUP2~S	*		BLOWER
75009555#TAM4AUP2~S	*		CABINET
75009556#TAM4AUP2~S	*		COIL
75009673#TAM4AUP2~S	*		CONTROL PANEL
75009571#TAM4AUP2~S	*		MODEL NUMBER DESCRIPTION
OPTIONS#TAM4AUP2~S	*		OPTIONAL EQUIPMENT
TAM4UP2_TAM4AUP2_129540~ P	*		TAM4AUP2 PARTS LIST

NO GRAPHIC AVAILABLE

75013702

REV
A

**NO
GRAPHIC
AVAILABLE**



Parts List Number :TAM4UP2#TAM4AUP2

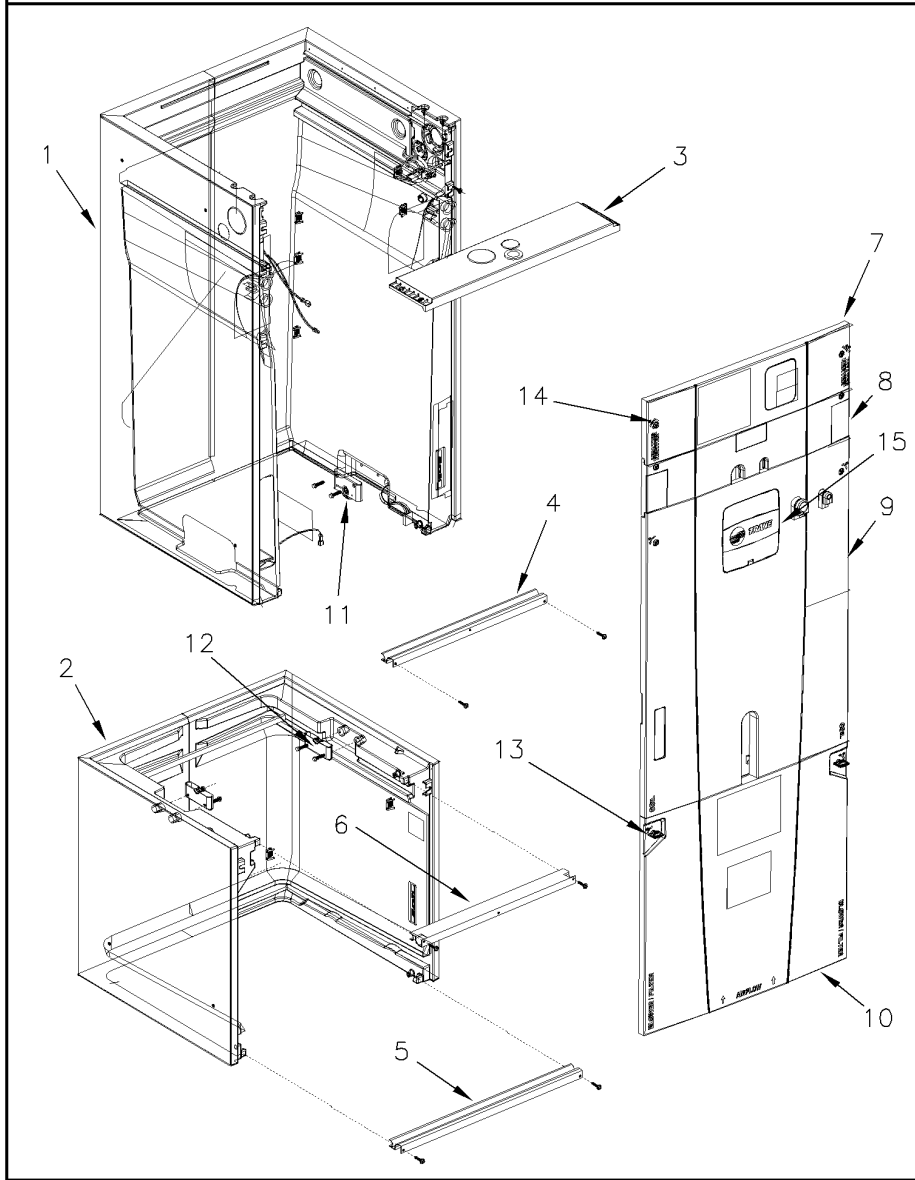
Model Number :TAM4A0C48S41SCA

Part No.	Reference No.	Quantity	Description
75009555_TAM4AUP2_129542-P	*		CABINET PARTS LIST

PANEL ASSEMBLY

75009555

REV
A

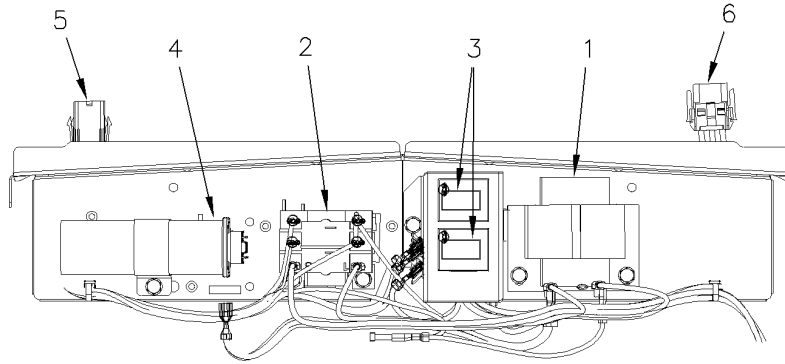


Part No.	Reference No.	Quantity	Description
COV04327	*	1	COVER; CLEAR LED COVER 4.9 X 1.1
COV04331	*	1	COVER; CONDENSATE HORIZONTAL, 3.8 X 2.7
COV04332	*	1	COVER; CONDENSATE DOWN FLOW, 3.4 X 1.6
DIV00225	*	1	DIVERTER; AIR DIVERTER 14.8T X 5.9W X 4.8T
GRM01009	*	1	GROMMET; 3/8 INCH LINE SET
GRM01010	*	1	GROMMET; 7/8 INCH LINE SET
PAI00248	*	1	PAINT; 12 OZ SPRAY, ANTHRACITE GRAY (SHIPPING UOM 12 OZ HAZ)
PLT04861	*	1	PLATE; SEAL
CBT01773	1	1	CABINET; WRAPPER, COIL
KIT15955	1	1	KIT; RECEPTACLE 1/2 TURN FASTENER, INCLUDES 24 PIECES
CBT01631	2	1	CAB-BLOWER; C; SUB
PNL27145	3	1	PANEL; TOP ASSEMBLY, 20.4 x 4.1
PNL27156	7	1	PANEL; HEATER, 23.2 x 6.4
PNL27159	8	1	PANEL; FIXED, 23.2 x 5.6
PNL27152	9	1	PANEL; COIL ASSEMBLY, 24.6 x 23.2
PNL28892	10	1	PANEL; BLOWER, ANTHRACITE GRAY, 23.02 W X 21.04 H
LAT00887	11	1	LATCH; RECEPTACLE ROTARY
LAT00885	12	1	LATCH; RECEPTACLE ROTARY
KIT15812	13	1	KIT; LATCH BAIL QTR TURN PANEL MOUNTING HARDWARE (BLOWER DOOR)
KIT15813	14	1	KIT; LATCH QTR TURN PANEL MOUNTING HARDWARE (HEATER DOOR)
PLT04630	15	1	PLATE; NAMEPLATE ASSEMBLY - TRANE
PLT04631	15	1	PLATE; NAMEPLATE ASSEMBLY - ASD

CONTROL PANEL

75009673

REV
A



Parts List Number :TAM4UP2#TAM4AUP2

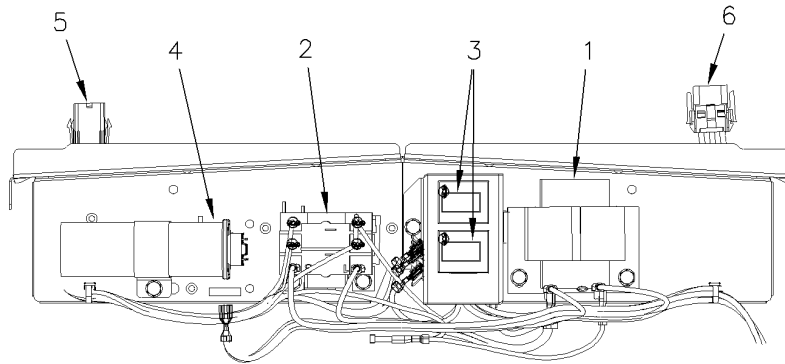
Model Number :TAM4A0C48S41SCA

Part No.	Reference No.	Quantity	Description
75009673_TAM4AUP2_129548-P	*		CONTROL PANEL PARTS LIST

CONTROL PANEL

75009673

REV
A

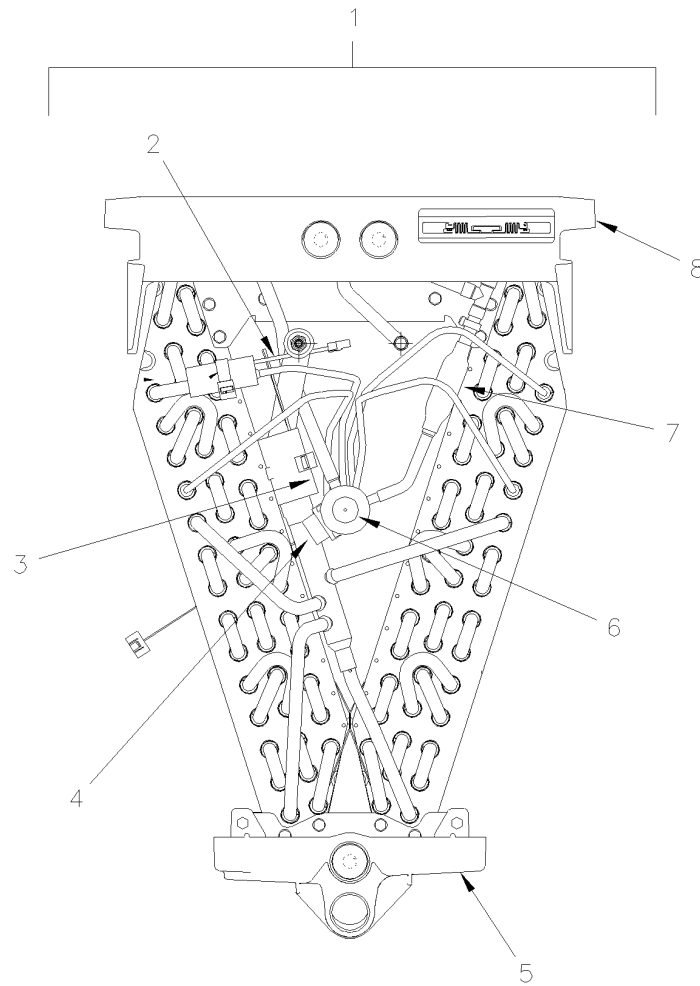


Part No.	Reference No.	Quantity	Description
CNT06902	*	1	CONTROL; BOARD ASSEMBLY, ELECTRONIC VALVE CONTROL
FUS01089	*	1	FUSE; 5 AMP, TAN, AUTOMOTIVE STYLE
KIT16176	*	1	KIT; WIRE HARNESS HEATER, 24 VAC
WIR06512	*	1	WIRE; HARNESS, JUNCTION, 16 AWG, 3 PIN, (BK,RD,GR) 12 IN LENGTH
TRR02266	1	1	TRANSFORMER; 50VA, 208/240V PRI, 24V SEC
RLY01384	2	1	RELAY; 240/480V, 24V COIL
KIT16151	3	1	KIT; DOOR SWITCH, INCLUDES QUANTITY OF 2 DOOR SWITCHES, 1 BRACKET AND 1 TERMINAL STRIP
SWT01714	3	2	SWITCH; DOOR SPST, 21 AMP, 125/250VAC
CPT01897	4	1	CAPACITOR; 20 MFD, 370V, OVAL, W/O RESISTOR
WIR07467	5	1	WIRE; LOW VOLTAGE
WIR05469	6	1	WIRE; HARNESS, CONTROL BOX, HIGH VOLTAGE

COIL ASSEMBLY

75009556

REV
A



Parts List Number :TAM4UP2#TAM4AUP2

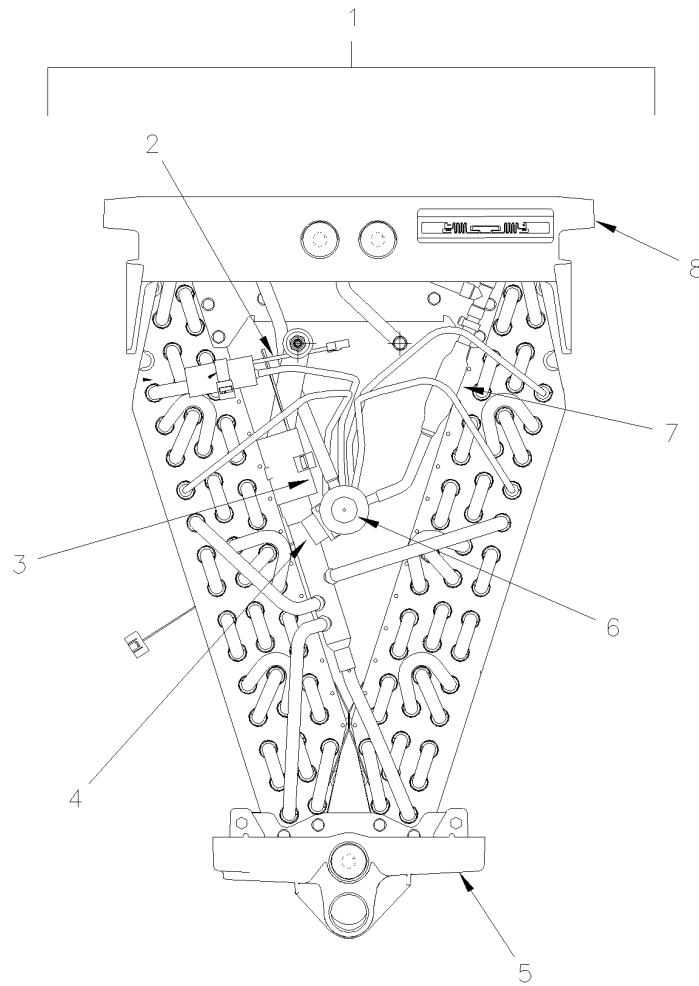
Model Number :TAM4A0C48S41SCA

Part No.	Reference No.	Quantity	Description
75009556_TAM4AUP2_129545-P	*		COIL PARTS LIST

COIL ASSEMBLY

75009556

REV
A

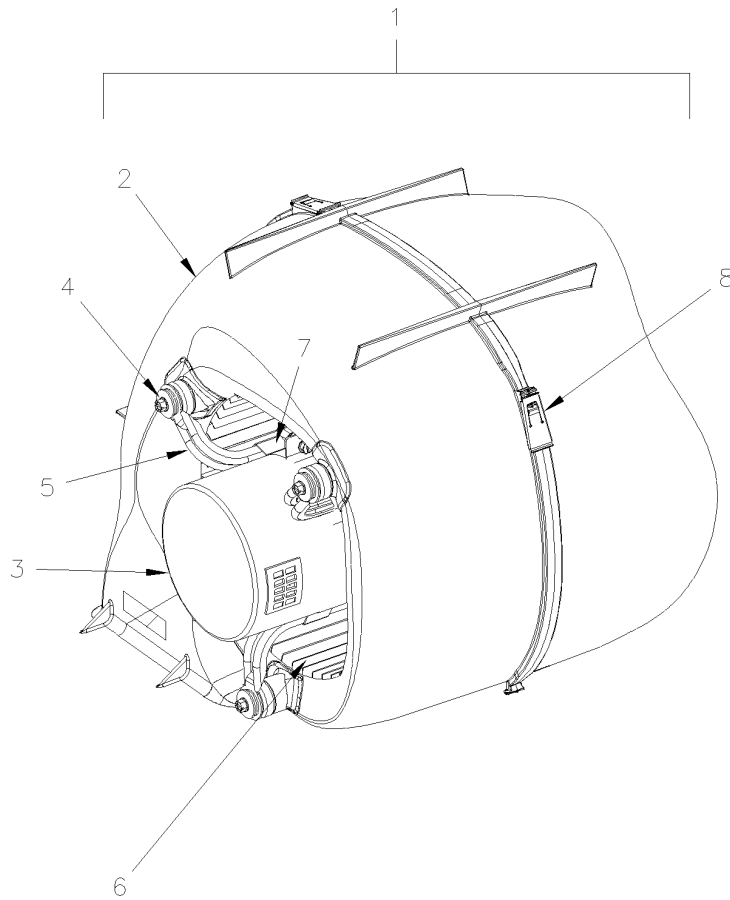


Part No.	Reference No.	Quantity	Description
BAF01362	*	1	BAFFLE; COIL FRONT BAFFLE KIT, INCLUDES RIGHT AND LEFT BAFFLE
BAF01370	*	1	BAFFLE; COIL REAR BAFFLE KIT, INCLUDES RIGHT AND LEFT BAFFLE
CAP00455	*	1	CAP; HUB, 7/16-20 STRAIGHT
COR00103	*	1	CORE; VALVE, .79 LENGTH, .206-36 UNS-1 MOD. THD
TUB13078	*	1	FRU-TUBE ASM-FLOW CONTROL
COL18197	1	1	COIL; COIL & DRAIN PAN ASSEMBLY
SEN02124	2	1	SENSOR; SAT. LINE TEMPERATURE SENSOR, 25 INCH ORANGE LEAD WIRES, FOR 3/8 TUBING
SEN02134	3	1	SENSOR; THERMISTOR TEMPERATURE SENSOR, 30 INCH BLACK LEAD WIRES, CLIP FOR 3/4 TUBING
VAL10484	4	1	VALVE; EEV
PAN03096	5	1	PAN; DRAIN UP FLOW, 19.5 X 7.3
MOT15213	6	1	MOTOR; EEV STEPPER MOTOR
STR00896	7	1	STRAINER; 3/8 ID INLET X 3/8 OD OUTLET, 2.75 IN LENGTH
PAN03094	8	1	PAN; DRAIN DOWN FLOW, 20.4 X 19.8

BLOWER ASSEMBLY

75009557

REV
A



Parts List Number :TAM4UP2#TAM4AUP2

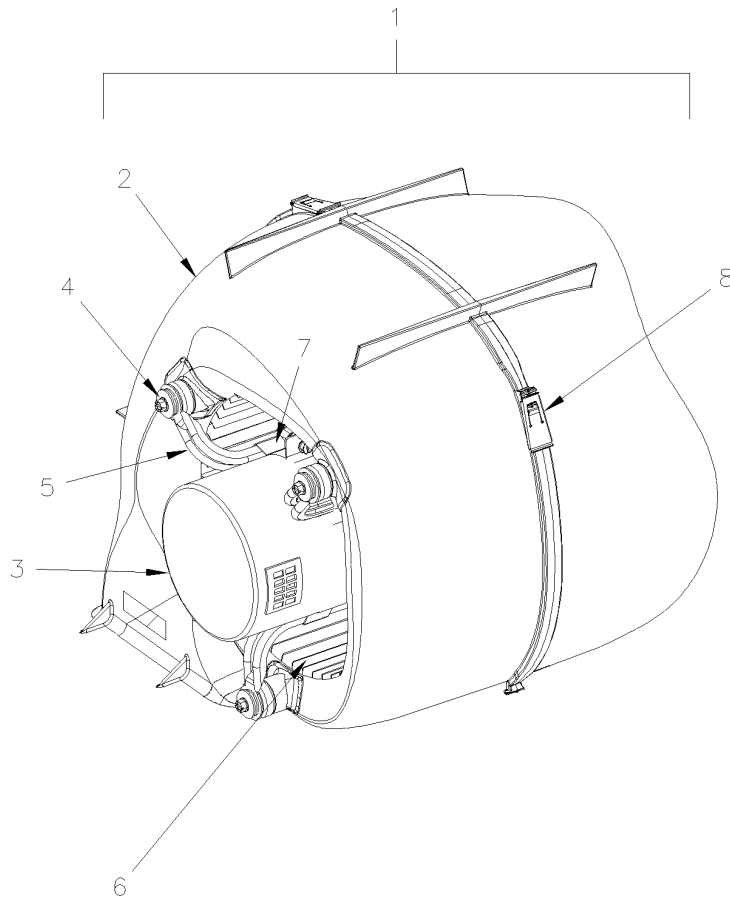
Model Number :TAM4A0C48S41SCA

Part No.	Reference No.	Quantity	Description
75009557_TAM4AUP2_129546-P	*		BLOWER PARTS LIST

BLOWER ASSEMBLY

75009557

REV
A



Part No.	Reference No.	Quantity	Description
BLW01168	1	1	BLOWER; ASSEMBLY, COMPLETE. INCLUDES HOUSING, WHEEL, BRACKETS, MOTOR
HUS03894	2	1	HOUSING; MOLDED BLOWER, INCLUDES LEFT & RIGHT MOLDED HALF & CLP01123 QTY OF 5
MOT14040	3	1	MOTOR; PSC, 1/2 HP, 230V, 60 HZ, 1075 RPM, 48 FRAME, BALL BEARINGS
SCR02112	4	3	SCREW; ASSEMBLY-MOTOR MOUNT
BRK04223	5	3	BRACKET; MOTOR ARM
WHL02915	6	1	WHEEL; BLOWER, 11.7 IN DIA X 10.6 IN WIDE, 0.50 IN BORE, CW ROTATION
BND00910	7	1	BAND; MOTOR MOUNT
CLP01123	8	1	CLIP; CLEAT-BLOWER

OPTIONAL EQUIPMENT

Parts List Number :TAM4UP2#TAM4AUP2

Model Number :TAM4A0C48S41SCA

Part No.	Reference No.	Quantity	Description
OPTIONS_TAM4AUP2_129549-P	*		OPTIONAL EQUIPMENT PARTS LIST

NO GRAPHIC AVAILABLE

75013702

REV
A

**NO
GRAPHIC
AVAILABLE**

Part No.	Reference No.	Quantity	Description
BAYEAC10LG3AA	*	1	HEATER; 10 KW HEATER 208/240/3(BAYEAC10LG3AA)
BAYEABC15LG3AA	*	1	HEATER; 15 KW HEATER 208/240/3(BAYEABC15LG3AA)
HTR11104	*	1	HEATER; HEATER ASSY, 5KW , (BAYEAC05BK1AAA)
HTR11105	*	1	HEATER; HEATER ASSY, 5KW , (BAYEAC05LG1AAA)
HTR11106	*	1	HEATER; HEATER ASSY, 8KW , (BAYEAC08BK1AAA)
HTR11107	*	1	HEATER; HEATER ASSY, 8KW , (BAYEAC08LG1AAA)
HTR11108	*	1	HEATER; HEATER ASSY, 10KW , (BAYEAC10BK1AAA)
HTR11109	*	1	HEATER; HEATER ASSY, 10KW , (BAYEAC10LG1AAA)
HTR11110	*	1	HEATER; HEATER ASSY, 15KW , (BAYEABC15BK1AAA)
HTR11111	*	1	HEATER; HEATER ASSY, 20KW , (BAYEABC20BK1AAA)
HTR11112	*	1	HEATER; HEATER ASSY, 25KW , (BAYEACC25BK1AAA)
KIT15226	*	1	KIT; 23.5" CABINET MOUNTING STAND (TASB235)
KIT15765	*	1	KIT; DUCT FLANGE ASSEMBLY RETURN FOR CANINET C (BAYRETFLGCAA)
KIT15766	*	1	KIT; DUCT FLANGE ASSEMBLY SUPPLY FOR CANINET C (BAYSUPFLGCAA)
KIT15865	*	1	KIT; SIDE RETURN (BAYSRKIT100A)
KIT15866	*	1	KIT; HORIZONTAL HANGING (BAYHHKIT001A)
KIT15867	*	1	KIT; LOW VOLTAGE BOX (BAYLVKIT100A)
KIT15873	*	1	KIT; SINGLE POINT POWER ENTRY (BAYSPEKT200A)
KIT15973	*	1	KIT; INTERNAL CONDENSATE SWITCH (BAYICKIT01A)
LIT01103	*	1	LIGHT; UV KIT (BAYUVCLK001AA)

MODEL NOMENCLATURE		75009571	REV A
AIR HANDLER MODEL NUMBER			
Example; G A M 2 A 0 A <u>3</u> <u>6</u> <u>S</u> <u>3</u> 1 S A A			
DIGIT 1 (Brand) A = Am. Std. T = Trane G = Both Brands		DIGIT 10 & DIGIT 11 (Airflow Type & Cap.) S = Low Effy. PSC, 1-5 nom. Tonnage (cfm/ton) M = Mid Effy. Multi-speed, 1-5 nom. Tonnage (cfm/ton) H = High Effy. Multi-speed, 1-5 nom. Tonnage (cfm/ton) V = High Effy. Variable, 1-5 nom. Tonnage (cfm/ton)	
DIGIT 2 (Product Type) A = Air Handler E = Electric Heater H = Hydronic Coil		DIGIT 12 (Power Supply) 1 = 208-230/1/60 9 = 115/1/60	
DIGIT 3 (Convertability) U = Up Flow Only H = Horizontal Only M = Multi-poise 4-way F = Up Flow Front Return, 3-way T = 3-way		DIGIT 13 (System Control Type) S = Standard - 24 VAC C = CLII 13.8 VDC	
DIGIT 4 (Product Tier) 0 = 2 = Good, Entry Level Feature Set 4 = Better, Retail Replacement Mid Effy. 6 = 7 = Best, Retail Replacement High Effy., Variable-speed 8 = Best, Retail Ultimate High Effy., Variable-speed 9 =		DIGIT 14 (Minor Design Modifications) A = Letter Sequence	
DIGIT 5 (Major Design Modifications) A = Letter Sequence		DIGIT 15 (Unit Parts Identifier) A = Letter Sequence	
DIGIT 6 (No Descriptor) 0 = Air Handler/Coil 9 = Accessory Kit			
DIGIT 7 (Size [footprint]) A = 17.5 x 21.5 B = 21.0 x 21.5 C = 23.5 x 21.5			
DIGIT 8 & DIGIT 9 (Cooling Size) Air Handler or Coil 0-9 = AH Coil-1,000 BTU's (18, 24, 30, 36, 42, 48, 60) Electric Heat Input 0-9 = Electric Heat-kW (05, 08, 10, 15, 20, 25) Hydronic Nom. Cap. 0-9 = Hydronic Heat-10,000 Btu			

Part No.	Reference No.	Quantity	Description
75009571_TAM4AUP2_129547-P	*		MODEL NUMBER DESCRIPTION PARTS LIST

MODEL NOMENCLATURE		75009571	REV A
AIR HANDLER MODEL NUMBER			
Example; G A M 2 A 0 A <u>3</u> <u>6</u> <u>S</u> <u>3</u> 1 S A A			
DIGIT 1 (Brand) A = Am. Std. T = Trane G = Both Brands		DIGIT 10 & DIGIT 11 (Airflow Type & Cap.) S = Low Effy. PSC, 1-5 nom. Tonnage (cfm/ton) M = Mid Effy. Multi-speed, 1-5 nom. Tonnage (cfm/ton) H = High Effy. Multi-speed, 1-5 nom. Tonnage (cfm/ton) V = High Effy. Variable, 1-5 nom. Tonnage (cfm/ton)	
DIGIT 2 (Product Type) A = Air Handler E = Electric Heater H = Hydronic Coil		DIGIT 12 (Power Supply) 1 = 208-230/1/60 9 = 115/1/60	
DIGIT 3 (Convertability) U = Up Flow Only H = Horizontal Only M = Multi-poise 4-way F = Up Flow Front Return, 3-way T = 3-way		DIGIT 13 (System Control Type) S = Standard - 24 VAC C = CLII 13.8 VDC	
DIGIT 4 (Product Tier) 0 = 2 = Good, Entry Level Feature Set 4 = Better, Retail Replacement Mid Effy. 6 = 7 = Best, Retail Replacement High Effy., Variable-speed 8 = Best, Retail Ultimate High Effy., Variable-speed 9 =		DIGIT 14 (Minor Design Modifications) A = Letter Sequence	
DIGIT 5 (Major Design Modifications) A = Letter Sequence		DIGIT 15 (Unit Parts Identifier) A = Letter Sequence	
DIGIT 6 (No Descriptor) 0 = Air Handler/Coil 9 = Accessory Kit			
DIGIT 7 (Size [footprint]) A = 17.5 x 21.5 B = 21.0 x 21.5 C = 23.5 x 21.5			
DIGIT 8 & DIGIT 9 (Cooling Size) Air Handler or Coil 0-9 = AH Coil-1,000 BTU's (18, 24, 30, 36, 42, 48, 60) Electric Heat Input 0-9 = Electric Heat-kW (05, 08, 10, 15, 20, 25) Hydronic Nom. Cap. 0-9 = Hydronic Heat-10,000 Btu			

Parts List Number :TAM4UP2#TAM4AUP2

Model Number :TAM4A0C48S41SCA