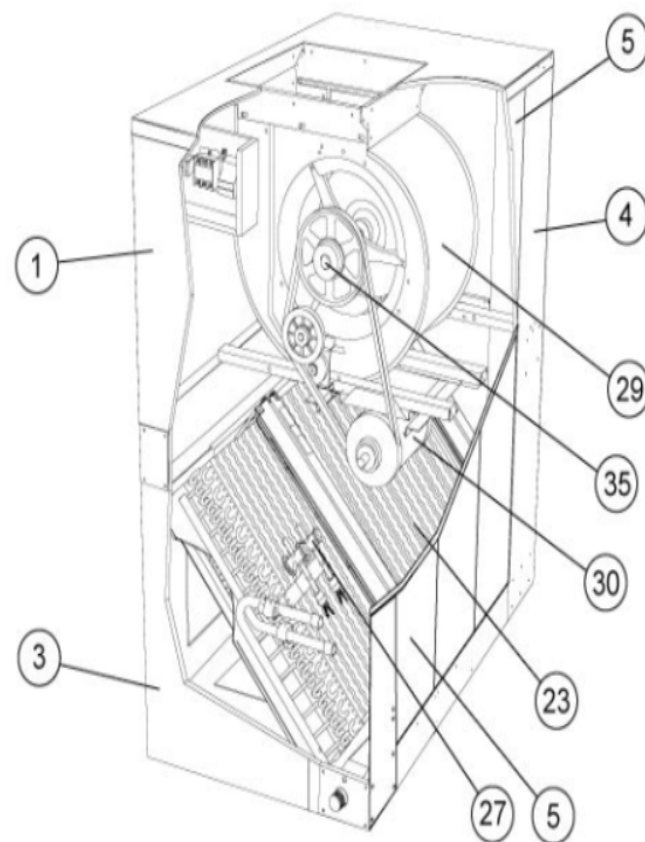
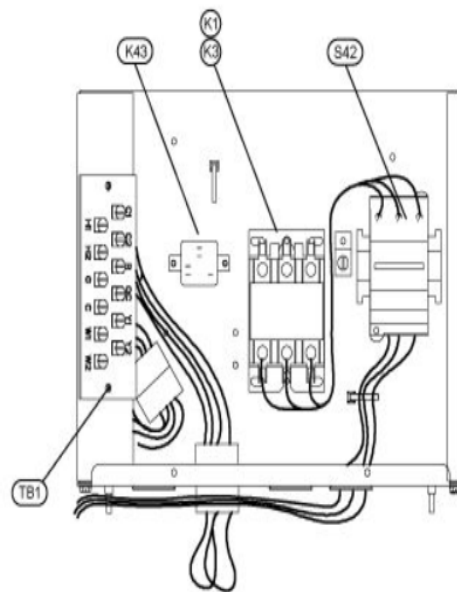


TAA 072-150



BLOWER COILS

TAA 072-240
CONTROL BOARD



Revision Number - 1

ACCESSORIES-HOT WATER COIL

Callout	Name	Quantity	Description
	COIL-HOT WATER Cat #: 44W20 Model/Part #: 602072-01	1	W/MANIFOLD
	ASSEMBLY-MULLION HOT WATER PIPING Cat #: 52W08 Model/Part #: 603921-01	1	HOT WATER COIL-ACCESS

BLOWER PARTS

Callout	Name	Quantity	Description
	BRACKET Cat #: 49W49 Model/Part #: 100817-02	1	BRACKET-MOUNTING, BEARING
	TENSIONER Cat #: 48W09 Model/Part #: 101994-01	1	TENSIONER
	TENSIONER ASSEMBLY Cat #: 53W59 Model/Part #: 604235-01	1	COMPLETE TENSIONER ASSY
	MOUNT-MOTOR Cat #: 80W79 Model/Part #: 607178-01	1	MOUNT-MOTOR(80W79)
	PLATE-CUTOFF Cat #: 80K00 Model/Part #: LB-66131	1	PLATE, CUTOFF L SERIES(STUTT)
29	ASSEMBLY - BLOWER HOUSING Cat #: 52W06 Model/Part #: 603922-01	1	ASSEMBLY - BLOWER HOUSING
30	MOTOR-BLOWER Cat #: 34W46 Model/Part #: 101501-01	1	"3HP,1725RPM,208-230/60/3"
30	MOTOR-BLOWER Cat #: 34W47 Model/Part #: 101501-02	1	"3HP,1725RPM,460/60/3"
30	MOTOR-BLOWER Cat #: 48W07 Model/Part #: 101678-01	1	"5HP,1740RPM,208-230/60/3"
30	MOTOR-BLOWER Cat #: 72W64 Model/Part #: 101678-02	1	"5HP,1725RPM,460/60/3"
30	MOTOR-BLOWER Cat #: 43G32 Model/Part #: 43G3201	1	"3HP,1725RPM,575/60/3"

Callout	Name	Quantity	Description
30	MOTOR-BLOWER Cat #: 49A44 Model/Part #: 49A4401	1	"3HP,1465RPM,380-420/50/3"
30	MOTOR-BLOWER Cat #: 49A45 Model/Part #: 49A4501	1	"5HP,1440RPM,380-420/50/3"
30	MOTOR-BLOWER Cat #: 32651 Model/Part #: P-8-5702	1	"5HP,1750RPM,575/60/3"
33	WHEEL-BLOWER Cat #: 66656 Model/Part #: LB-29333BAC	1	"1""BORE, 15"" X 15""
35	SHAFT-BLOWER Cat #: 93J86 Model/Part #: 93J8601	1	"1"" DIA,24"" LENGTH"
37	BEARING Cat #: 95M00 Model/Part #: 100639-02	2	"BLO SHAFT-1""BORE"
A96	TAA Supply Air Blower VFD Kit 3HP Y Cat #: 92W66 Model/Part #: 92W66	1	TAA Supply Air Blower VFD Kit 3HP Y
A96	TAA Supply Air Blower VFD Kit 3HP G Cat #: 92W67 Model/Part #: 92W67	1	TAA Supply Air Blower VFD Kit 3HP G
A96	TAA Supply Air Blower VFD Kit 3HP J Cat #: 92W68 Model/Part #: 92W68	1	TAA Supply Air Blower VFD Kit 3HP J
A96	TAA Supply Air Blower VFD Kit 5HP Y Cat #: 92W69 Model/Part #: 92W69	1	TAA Supply Air Blower VFD Kit 5HP Y
A96	TAA Supply Air Blower VFD Kit 5HP G Cat #: 92W70 Model/Part #: 92W70	1	TAA Supply Air Blower VFD Kit 5HP G
A96	TAA Supply Air Blower VFD Kit 5HP J Cat #: 92W71 Model/Part #: 92W71	1	TAA Supply Air Blower VFD Kit 5HP J

CABINET PARTS

Callout	Name	Quantity	Description
	FILTER-AIR Cat #: 75W57 Model/Part #: 100509-03	4	"16"" X 25"" X 2"" ,SLAB"
1	PANEL-ACCESS (TOP) Cat #: 52W02 Model/Part #: 603657-02	1	FRONT/REAR-ACCESS (TOP)
3	PANEL-ACCESS (BOTTOM)	1	FRONT/REAR-

Callout	Name	Quantity	Description
	Cat #: 52W01 Model/Part #: 603657-01		ACCESS (BOTT)
5	ASSEMBLY - PANEL ACCESS (RIGHT) Cat #: 51W99 Model/Part #: 603658-02	1	PANEL ACCESS (RIGHT)
7	ASSEMBLY - PANEL ACCESS (LEFT) Cat #: 52W04 Model/Part #: 603659-02	1	PANEL ACCESS (LEFT)
11	ASSEMBLY-DUCT OPENING COVER Cat #: 51W96 Model/Part #: 603660-02	1	DUCT OPENING

CONTROL PANEL PARTS

Callout	Name	Quantity	Description
	HARNESS - VFD CONTROL Cat #: 609257-01 Model/Part #: 609257-01	1	HARNESS - VFD CONTROL
	CONTACTOR Cat #: 38393 Model/Part #: P-8-7736	1	"BLOWER-3PDT,24V"
K232	RELAY Cat #: 67K65 Model/Part #: 67K6501	1	RELAY
K43	RELAY Cat #: 56L68 Model/Part #: 56L6801	1	"BLOWER-SPDT,24V"
LVC2	KIT LVC2 REPAIR PART Cat #: 92W17 Model/Part #: 103557-01	1	CONTROL BOARD VFD
TB1	BOARD, TERMINAL TAA LX11318 Cat #: 96W82 Model/Part #: 103528-01	1	BOARD-TERMINAL TAA

COOLING PARTS

Callout	Name	Quantity	Description
	SUPPORT - COIL SIDE Cat #: LB-114856 Model/Part #: LB-114856	1	SIDE
	SUPPORT - COIL Cat #: LB-114857 Model/Part #: LB-114857	1	SUPPORT - COIL
22	PAN - PLASTIC DRAIN Cat #: 49W58 Model/Part #: 101996-07	1	PAN - PLASTIC DRAIN

Callout	Name	Quantity	Description
23	*** OBS *** CRATE ASSY ID COIL Cat #: 46W99 Model/Part #: 602116-04	1	W/MANIFOLD
24	DISTIBUTOR PACKAGE ASSEMBLY Cat #: 47W54 Model/Part #: LB-111917L	1	W/TUBES
27	VALVE - EXPANSION BBIZE-6-GA Cat #: 52W73 Model/Part #: 100679-27	2	VALVE - EXPANSION BBIZE-6-GA

ECONOMIZER SECTION

Callout	Name	Quantity	Description
	DAMPER ASSY Cat #: 44W95 Model/Part #: 102133-02	1	STD ECONOMIZER
	ECONOMIZER TAA 120, 150 LOW LEAK Cat #: 102133-05 Model/Part #: 102133-05	1	ECONOMIZER (LOW LEAK)
	CONTROL ECONOMIZER - JADE Cat #: 11G24 Model/Part #: 103929-01	1	CONTROL ECONOMIZER (LOW LEAK)
	SENSOR - MIXED AIR Cat #: 11G26 Model/Part #: 103931-01	1	SENSOR AIR TEMP (LOW LEAK)
	MOTOR-DAMPER HONEYWELL Cat #: 16A67 Model/Part #: 103962-03	1	MOTOR-ACTUATOR (LOW LEAK)
	RELAY Cat #: 56L68 Model/Part #: 56L6801	1	RELAY (LOW LEAK)
A6	CONTROLLER Cat #: 60M10 Model/Part #: 60M1001	1	CONTROL, ENTHALPY
A7	SENSOR Cat #: 54G44 Model/Part #: 54G4401	1	ENTHALPY
B7	MOTOR-DAMPER SIEMENS Cat #: 77W94 Model/Part #: 102692-01	1	24V (SIEMENS)
B7	MOTOR-DAMPER HONEYWELL Cat #: 56M81 Model/Part #: 56M8101	1	24V (HONEYWELL)
R1	SENSOR Cat #: 79J09 Model/Part #: 79J0901	1	MIXED AIR

Note:

There are no technical notes for this product.