

T7515A-D MicroCel™ Space Temperature Sensor

INSTALLATION INSTRUCTIONS

BEFORE INSTALLATION

The T7515A-D MicroCel Space Temperature Sensors (“Space Sensors”) are used with MicroCel and MacroCel M-Cels (“M-Cels”). The Space Sensor is available with setpoint adjustment (T7515B and D) or without setpoint adjustment (T7515A and C). In addition, the T7515C and D models have an occupant override switch and status LED built into the cover.

1. Refer to job drawings to determine the Space Sensor and wiring location.
2. Do not run Space Sensor wiring in the same conduit with power wiring greater than 24 Vac.
3. Use the prefabricated cable assemblies shown in Table 1 to connect the Space Sensor to the M-Cel:

Table 1. Prefabricated Cable Assemblies.

Model	Cable Assembly
T7515A, B	AK3322, 25 ft (7.6m), 6 conductor
	AK3323, 40 ft (12.2m), 6 conductor
	AK3319, 80 ft (24.4m), 6 conductor
T7515C, D	AK3320, 25 ft (7.6m), 10 conductor
	AK3321, 40 ft (12.2m), 10 conductor
	AK3318, 80 ft (24.4m), 10 conductor

NOTE: Connector AK3324A can be utilized to connect two cable assemblies together when the Space Sensor is over 80 ft (24.4m) from the M-Cel.

4. The maximum distance between the Space Sensor and the M-Cel must not exceed 120 ft (36.6m).
5. No special tools are required for installation. Honeywell tool CCT735A (includes 0.050-inch Allen wrench) can be used for cover installation.

INSTALLATION

When Installing this Product...

1. Read these instructions carefully. Failure to follow them could damage the product or cause a hazardous condition.
2. Check the ratings given in the instructions and on the product to make sure the product is suitable for your application.
3. Installer must be a trained, experienced service technician.
4. After installation is complete, check out product operation as provided in these instructions.

IMPORTANT

All wiring must agree with applicable codes, ordinances and regulations.

Location

Mount the Space Sensor on an inside wall approximately 54 in. (1372 mm) from the floor (or where specified) where it is exposed to the average space temperature. Do not mount the Space Sensor on an outside wall or a wall containing water pipes or air ducts near the Space Sensor. Avoid locations that are exposed to discharge air from registers or radiation from lights, appliances, or the sun.



Mounting

1. Mount the Space Sensor on a wall, mullion (1-7/8 in. [48 mm] wide minimum), or electrical box (see Fig. 2 and Table 2).
2. Connect the Space Sensor to the M-Cel with the required cable assembly by inserting one end of the cable assembly securely into the jack on the rear of the Space Sensor circuit board (see Fig. 2) and the other end into the M-Cel. Note that this connector assembly can be pulled through a 1/2 in. emt conduit with not more than one bend.
3. Mount the Space Sensor circuit board on the mounting plate (see Fig. 3).
4. Mount the cover on the mounting plate (see Fig. 4).

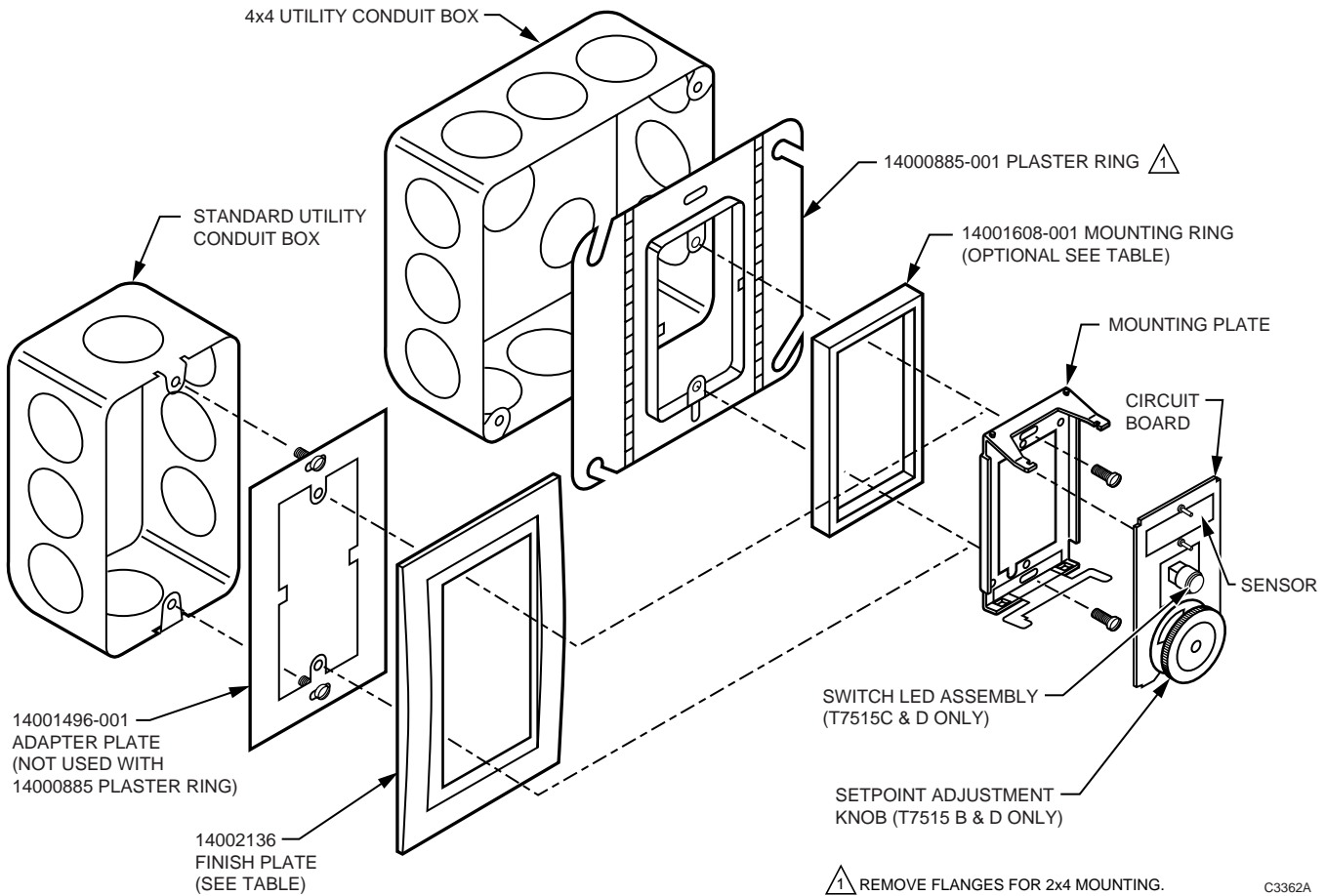


Fig. 1. Mounting Detail.

Table 2. Mounting Accessories Required.

Type of Mounting	14001496-001 Adapter Plate	14002136-xxx ^a Finish Plate	14001608-001 Black Mounting Ring
Direct to Wall	—	—	—
2x4 in. Electrical Box	X	X	—
2x4 in. Electrical Box with 14000885-001 Plaster Ring	—	Optional	Optional ^b
4x4 in. Electrical Box with Mud Ring	X	X	—

^a 14002136-002 Black Finish Plate.
14002136-003 Beige Finish Plate.

^b Required only if plaster ring standoff extends from wall surface.

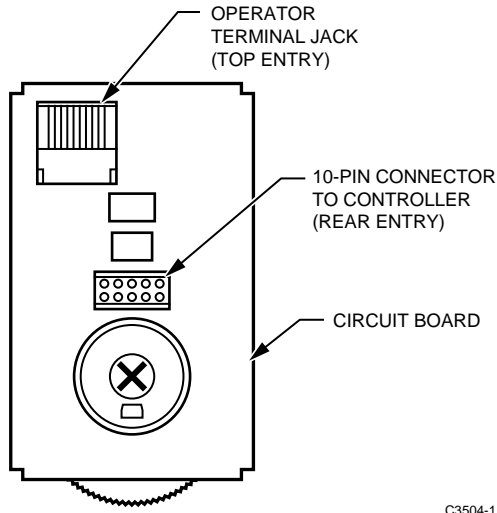


Fig. 2. Rear View of Space Sensor Showing Terminations to Space Sensor Jacks.

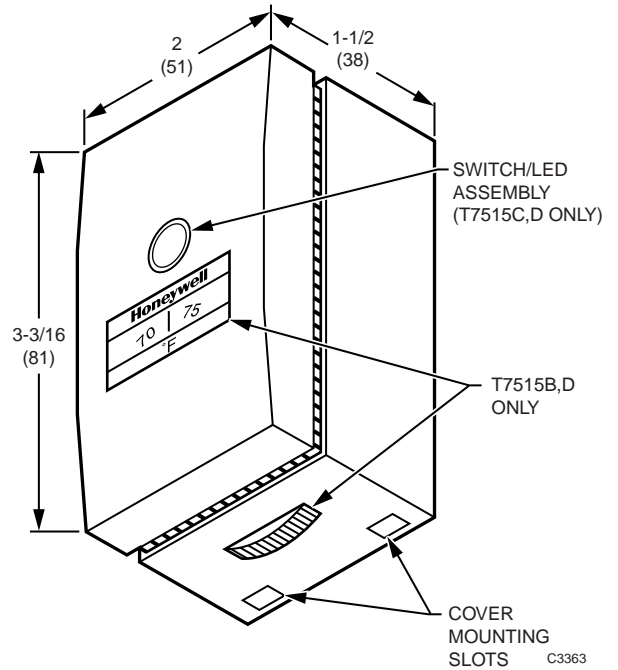


Fig. 4. Cover Mounting Details in Inches (Millimeters).

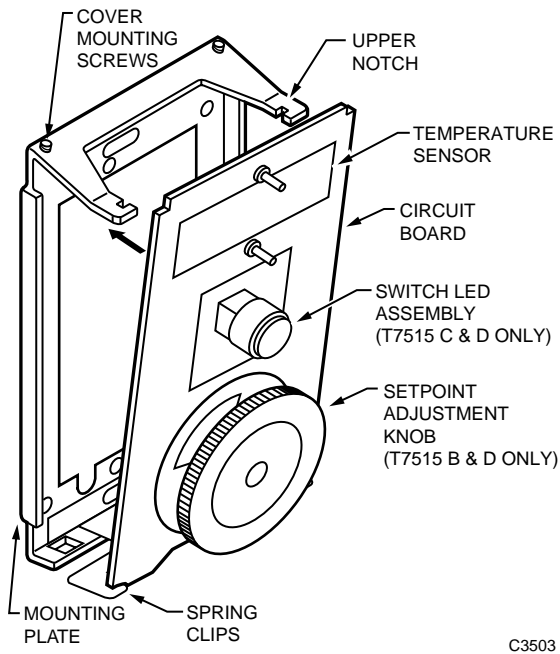


Fig. 3. Attaching Space Sensor to Mounting Plate.

APPENDIX

Using a T7515 to Replace a T7660

A T7515C,D Sensor can be used to replace a T7660 Sensor that is used in a W7600 System. See Table 3 to determine the proper replacement model.

IMPORTANT

In order to make the proper connection, an AK3325A Cable must be used between the sensor and the controller.

NOTE: The AK3325A consists of a connector that plugs into the T7515 on one end and stripped leadwires on the other. The wiring connections are shown in Table 4.

Table 3. T7660 Replacement Cross Reference.

T7660 Model Replaced	Replacement T7515 Model
A1009,A1017,B1007,B1015	T7515C1002
C1005,C1021,D1003,D1029	T7515D1000
C1013,C1039,D1045	T7515D1018

Table 4. AK3325A Connections For The T7515.

Connector Pin	Wire Color	W7600/W7620 Connection
1	Blue	Not used.
2	Purple	Digital In (W7600), PB (W7620), connected to override button
3	Black	Not used.
4	Brown	Analog In (W7600), SP (W7620), temperature setpoint
5	Red	Analog Common
6	Orange	Analog In (W7600), T (W7620), temperature sensor
7	Yellow	CNAP-
8	Green	CNAP+
9	Grey	Digital Out (W7600), LED (W7620), connected to LED
10	White	Digital Common

Honeywell

Home and Building Control
 Honeywell
 1985 Douglas Drive North
 Golden Valley, MN 55422

Home and Building Control
 Honeywell Limited-Honeywell Limitée
 35 Dynamic Drive
 Scarborough, Ontario
 M1V 4Z9

