



Location:

Dia ActivSense™

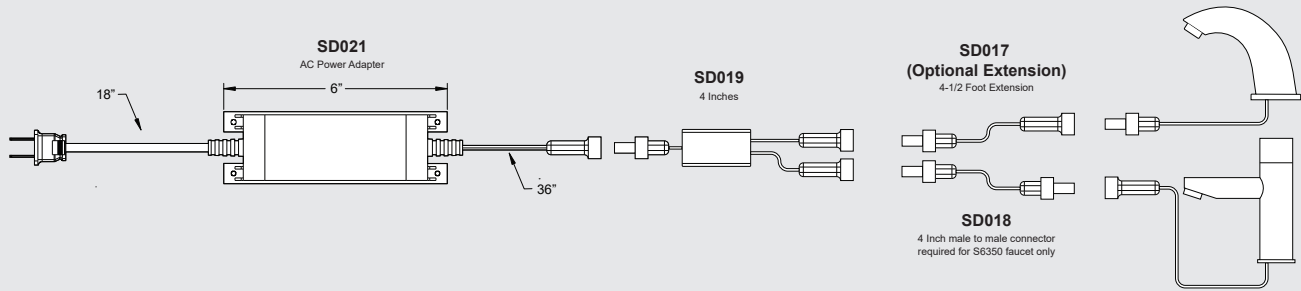


SD6350BL & SD6350EL Sensor Soap Dispenser Specification Submittal

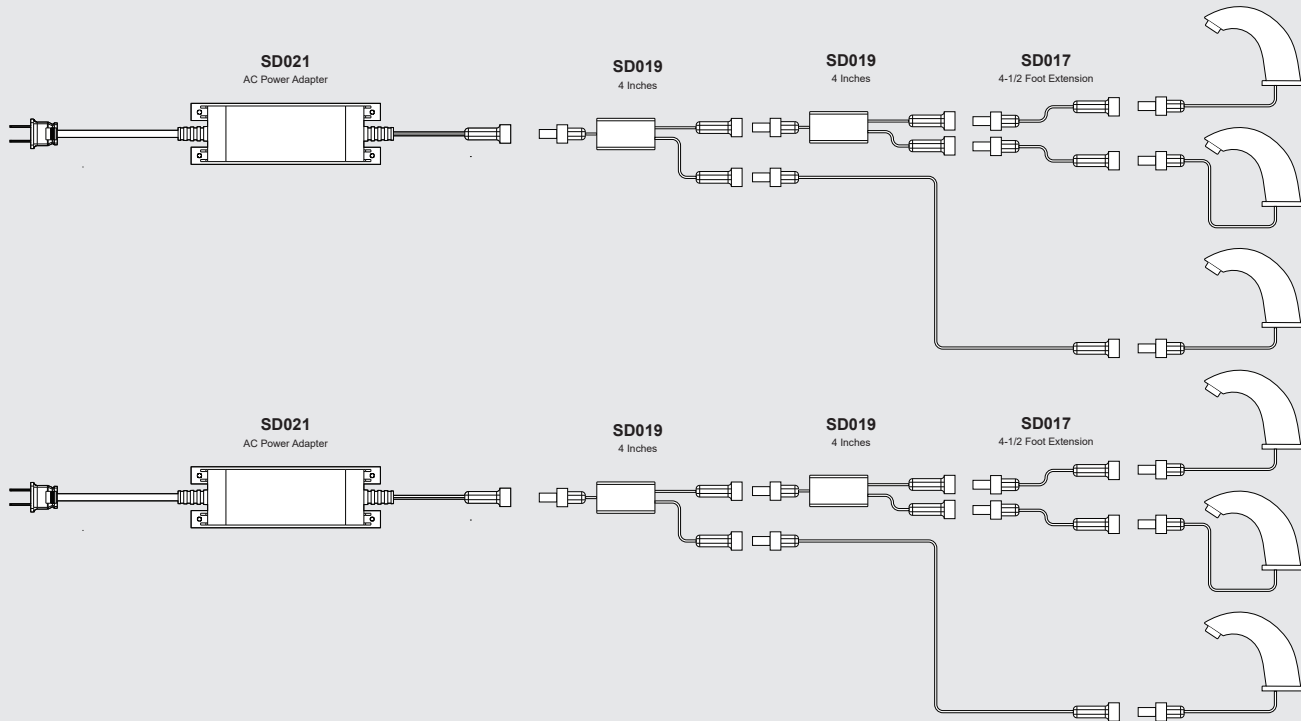
Model Numbers	Feature Highlights
<input type="checkbox"/> SD6350BL <i>Sensor Soap Dispenser 6X1.5V Batteries included</i> <input type="checkbox"/> SD6350EL <i>Sensor Soap Dispenser 12V Transformer</i>	<ul style="list-style-type: none"> • LEED Rating • Robust brass body • Adjustable settings • Easy to install • ADA compliant • Anti Rotation Pins
Finish Options/Modifications	
<input type="checkbox"/> STN <i>Satin Nickel finish</i> <input type="checkbox"/> MB <i>Matte Black finish</i> <input type="checkbox"/> BBZ <i>Brushed Bronze finish</i>	
<p>Note: Append appropriate suffix to model number.</p>	Compliance
Options <i>(sold as separate line items add appropriate)</i>	-UL# E311169 (USA & Canda)
<input type="checkbox"/> RC6960SDL <i>Remote Control</i> <input type="checkbox"/> S6350B <i>Matching Dia Sensor Faucet.</i> <input type="checkbox"/> SD010 <i>Converts SD6350BL to AC powered (SD6350EL)</i>	Warranty
	<p>Limited Lifetime - to the original end purchaser in consumer/residential installations. 5 Years - for industrial/commercial installations. Refer to www.symmons.com/warranty for complete warranty information.</p>

Power Layout

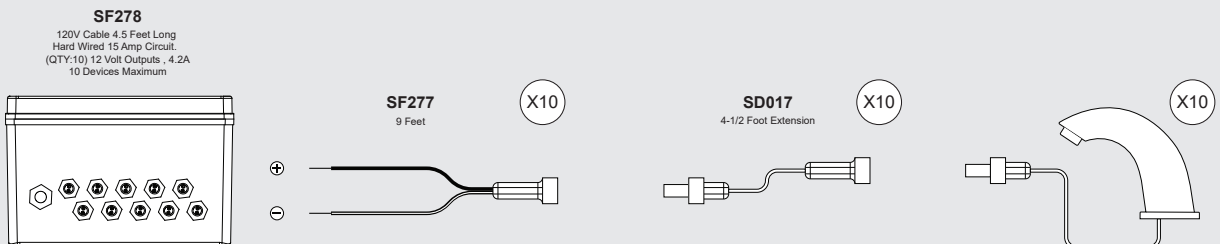
2 Devices - 1 Power Supply



6 Devices - 2 Power Supply

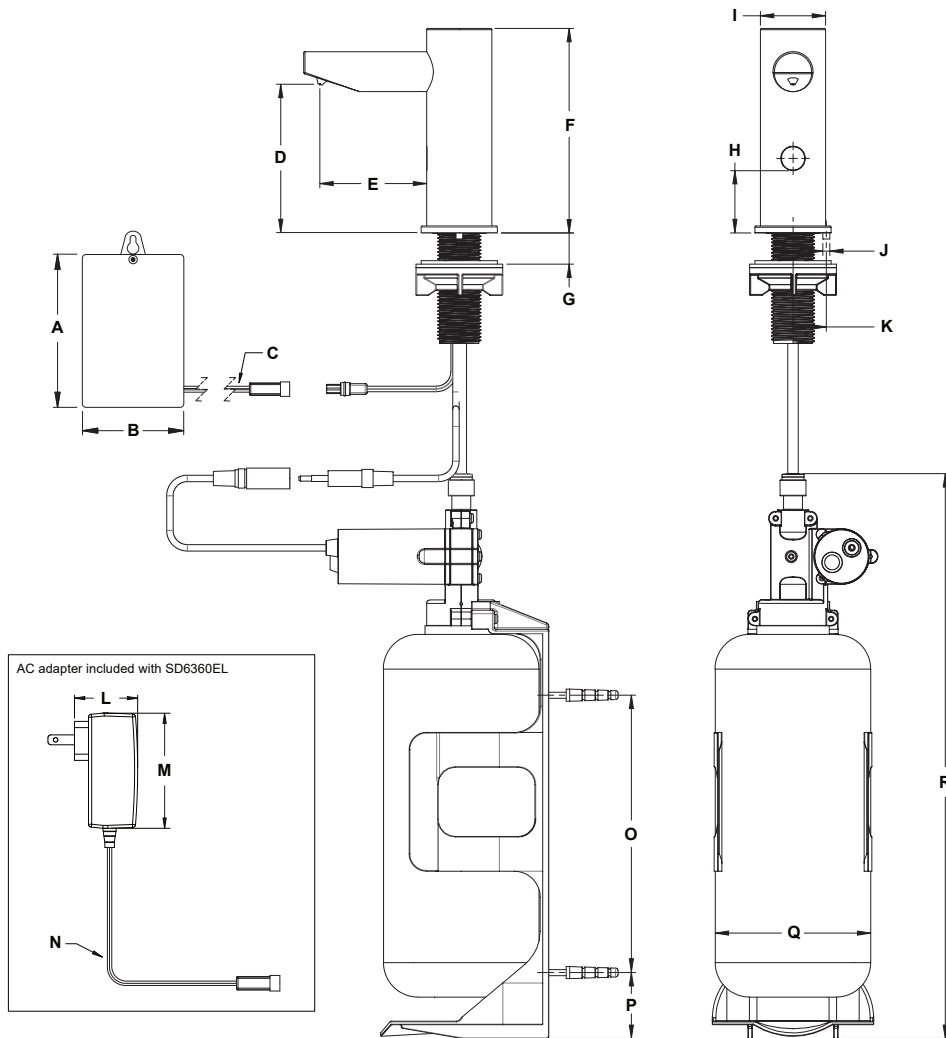


10 Devices - 1 Power Supply



Dimensions

SD6350BL / SD6350EL



Measurements	
A	5" , 127 mm
B	3" , 76 mm
C	18" , 457 mm
D	3-3/8" , 86 mm
E	2-3/8" , 62mm
F	4-5/8" , 118mm
G	Deck Thickness Max 2" , 52mm
H	1-3/8" , 36mm
I	Ø1-1/2" , Ø38mm
J	Ø1/8" , Ø4mm
K	3/4" , 19mm
L	1-5/8" , 41 mm
M	2-7/8" , 74 mm
N	15' , 4.5 m
O	6-1/4" , 160mm
P	1-1/2" , 38mm
Q	Ø3-1/2" , Ø90mm
R	12-7/8" , 326mm

Note: Dimensions subject to change without notice.