

Product data sheet

Characteristics

QO280

QO mini breaker, 80 A, 2 pole, 120/240 V, 10 kA, plug in

Product availability : Stock - Normally stocked in distribution facility



Price** : 189.00 USD



Main

Product	Miniature circuit-breaker
Range	QO
Current Rating	80 A
Voltage Rating	120/240 V AC 120 V AC
Mounting Type	Plug-in
Number of Poles	2P
Circuit Breaker Type	Standard
Ratings	HACR rated
Electrical Connection	Box lugs

Complementary

Interrupt Rating	10 kA 120/240 V AC 50/60 Hz 10 kA 120 V AC 50/60 Hz
Number of Panel Spaces	2
Wire Size	AWG 4...AWG 2/0 copper or aluminium
Tightening torque	44.25 lbf.in (5 N.m) 0.02...0.04 in ² (10...25 mm ²) AWG 8...AWG 2)
Height	88.90 mm (3.5 in)
Depth	73.91 mm (2.91 in)
Width	38.10 mm (1.5 in)

Environment

Certifications	UL listed CSA
Ambient Rating	104 °F (40 °C)

Ordering and shipping details

Category	00104 - QO 35-70A 1P;70-125A 2P CB
Discount Schedule	DE2A
GTIN	00785901501329
Package weight(Lbs)	0.32 kg (0.7 lb(US))
Returnability	Yes
Country of origin	MX

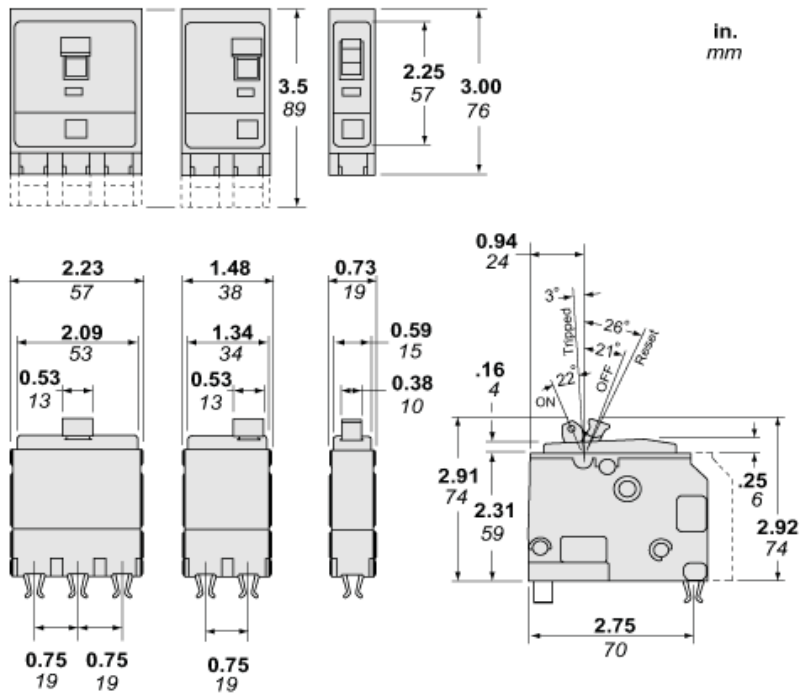
Offer Sustainability

Sustainable offer status	Green Premium product
REACH Regulation	REACH Declaration
EU RoHS Directive	Compliant EU RoHS Declaration
Mercury free	Yes
RoHS exemption information	Yes
China RoHS Regulation	China RoHS declaration Product out of China RoHS scope. Substance declaration for your information.
Environmental Disclosure	Product Environmental Profile
Circularity Profile	No need of specific recycling operations
Halogen content performance	Halogen free product

Contractual warranty

Warranty	18 months
----------	-----------

Approximate Dimensions



in.
mm