

Product data sheet

Specifications

SQUARE D

Green Premium™



Safety switch, general duty, non fusible, 60A, 3 poles, 15 hp, 240 VAC, NEMA 1

DU322

Product availability : Stock - Normally stocked in distribution facility

Price* : 206.00 USD

Main

Product	Single Throw Safety Switch
Duty Rating	General duty
Device Application	Residential
Disconnect Type	Non-fusible disconnect switch
Factory Installed Neutral	None
Phase	3 phase
Number of Poles	3
Current Rating	60 A
Voltage Rating	240 V AC
Enclosure Rating NEMA	NEMA 1
Motor power hp	10 hp at 240 V AC 60 Hz for 1 phase motors 15 hp at 240 V AC 60 Hz for 3 phase motors

Complementary

Mounting Type	Surface
Electrical Connection	Lugs
Wiring configuration	3-wire
Wire Size	AWG 12...AWG 3 aluminium AWG 14...AWG 3 copper
Tightening torque	35 lbf.in (3.95 N.m) 0.00...0.01 in ² (2.08...5.26 mm ²) (AWG 14...AWG 10) 35 lbf.in (3.95 N.m) (AWG 14...AWG 10) 45 lbf.in (5.08 N.m) 0.01 in ² (8.37 mm ²) (AWG 8) 45 lbf.in (5.08 N.m) 0.02...0.03 in ² (12.3...21.12 mm ²) (AWG 6...AWG 4) 50 lbf.in (5.65 N.m) 0.04 in ² (26.67 mm ²) (AWG 3)
Depth	3.63 in (92.20 mm)
Width	7.25 in (184.15 mm)
Height	9.25 in (234.95 mm)
Net Weight	19.84 lb(US) (9 kg)

Environment

Certifications	UL listed file E2875
----------------	----------------------

* Price is "List Price" and may be subject to a trade discount – check with your local distributor or retailer for actual price.

Ordering and shipping details

Category	00006-D & DU SW, NEMA1, 30-200A
Discount Schedule	DE1A
GTIN	785901491743
Returnability	Yes
Country of origin	MX

Packing Units

Unit Type of Package 1	PCE
Number of Units in Package 1	1
Package 1 Height	5.20 in (13.208 cm)
Package 1 Width	6.80 in (17.272 cm)
Package 1 Length	9.30 in (23.622 cm)
Package 1 Weight	4.30 lb(US) (1.95 kg)
Unit Type of Package 2	PAL
Number of Units in Package 2	200
Package 2 Height	43.50 in (110.49 cm)
Package 2 Width	40.00 in (101.6 cm)
Package 2 Length	48.00 in (121.92 cm)
Package 2 Weight	950.00 lb(US) (430.912 kg)
Unit Type of Package 3	CAR
Number of Units in Package 3	5
Package 3 Height	10.10 in (25.654 cm)
Package 3 Width	8.60 in (21.844 cm)
Package 3 Length	19.10 in (48.514 cm)
Package 3 Weight	22.45 lb(US) (10.183 kg)

Offer Sustainability

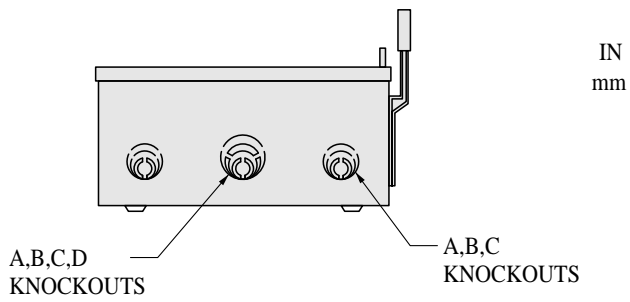
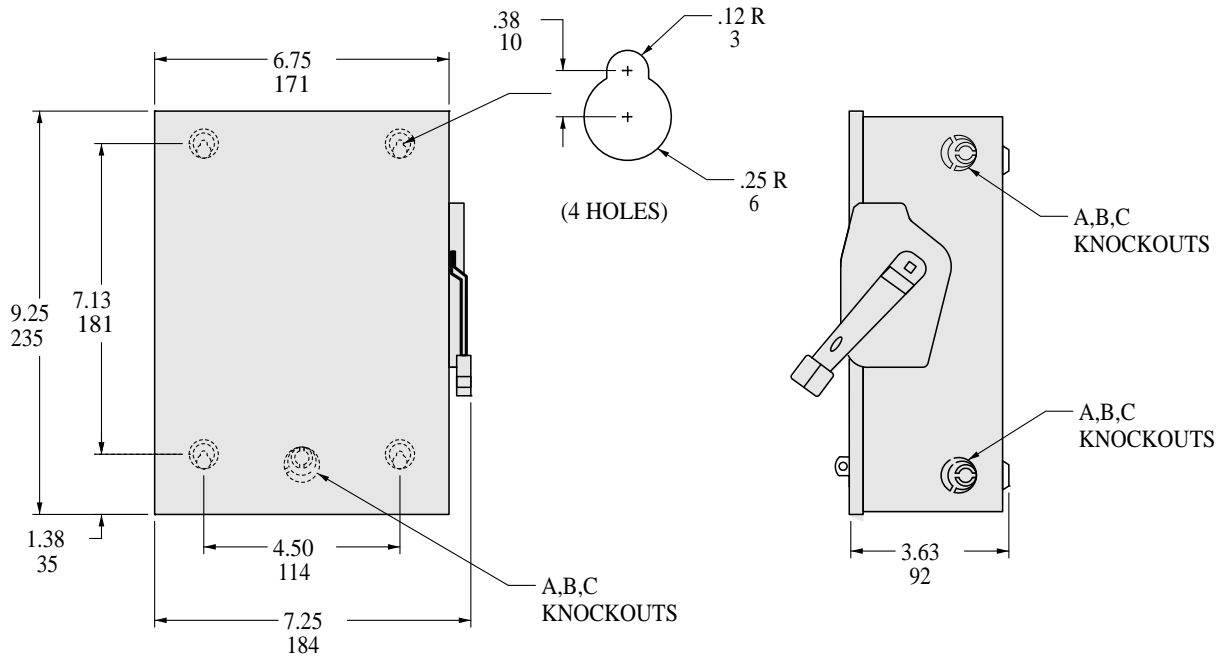
Sustainable offer status	Green Premium product
California proposition 65	WARNING: This product can expose you to chemicals including: Lead and lead compounds, which is known to the State of California to cause cancer and birth defects or other reproductive harm. For more information go to www.P65Warnings.ca.gov
REACH Regulation	REACH Declaration
REACH free of SVHC	Yes
EU RoHS Directive	Compliant EU RoHS Declaration
Toxic heavy metal free	Yes
Mercury free	Yes
RoHS exemption information	Yes
China RoHS Regulation	China RoHS declaration Pro-active China RoHS declaration (out of China RoHS legal scope)
Environmental Disclosure	Product Environmental Profile
PVC free	Yes

Contractual warranty

Warranty

18 months

Dimensions



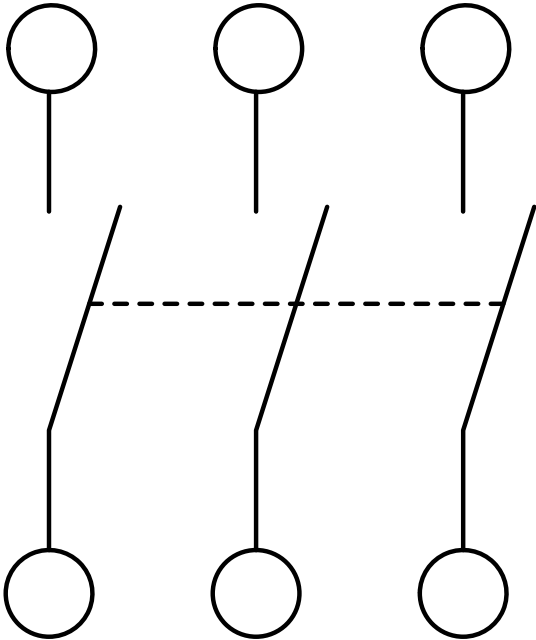
IN
mm

NEMA TYPE 1

KNOCKOUTS				
SYMBOL	A	B	C	D
CONDUIT SIZE	.50	.75	1	1.25

ALL DIMENSIONS ARE APPROXIMATE
 REFER TO TECHNICAL DRAWINGS AND DOCUMENTATION

NOT FUSIBLE



DU322

Recommended replacement(s)