

# Product data sheet

Specifications

SQUARE D



## Square D Pumptrol, water pump switch 9013FY, adjustable diff., 50 70 PSI

9013FYG2J33M4

**Product availability : Stock - Normally stocked in distribution facility**

### Main

Range of Product	Square D Pumptrol
Pressure sensor name	9013FY
Pressure sensor size	80 psi (551.58 kPa) 5...60 psi (34.47...413.69 kPa))
Value of setting	50...70 psi
Electrical circuit type	Power circuit
Product Specific Application	Control electrically driven water pumps
Quantity per Set	1
Type of Packing	Individual

### Complementary

Pressure sensor type	Electromechanical pressure switch
Controlled fluid	Fresh water -22...257 °F (-30...125 °C))
Adjustable range on rising pressure	25...80 psi (172.37...551.58 kPa)
Approximate adjustable differential	20...30 psi (137.90...206.84 kPa)
Destruction pressure	220 psi (1516.85 kPa)
Pressure actuator	Diaphragm
Pressure switch type of operation	Regulation between 2 thresholds
Scale type	Adjustable differential
Setting	Internal
Local display	Without
Contacts type and composition	2 NC, snap action, DPST-DB, Form YY
Cable entry number	2 0.88 in (22.35 mm) cable entries with 0.84 in across flats UL 508
Electrical connection	Screw-clamp terminals 10 AWG Screw-clamp terminals 5.261 mm <sup>2</sup>
Fluid connection type	0.25 inch NPSF internal UL 508
Short-circuit protection	20 A cartridge fuse gG
Materials in contact with fluid	Zinc plated steel or equivalent flange Nitrile (Buna-N) or equivalent rubber diaphragm

\* Price is "List Price" and may be subject to a trade discount – check with your local distributor or retailer for actual price.

<b>Material</b>	Polypropylene Cover Noryl thermoplastic resin or equivalent Cover
<b>Operating position</b>	Any position
<b>Motor power kW</b>	1.5 kW 2 hp)115 V AC, 1 phase 2.2 kW 3 hp)115 V AC, 3 phase 2.2 kW 3 hp)230 V AC, 1 phase 3.7 kW 5 hp)230 V AC, 3 phase
<b>Electrical durability</b>	100000 cycles 10 cyc/mn
<b>Mechanical durability</b>	300000 cycles
<b>Terminal block type</b>	4 terminals
<b>Maximum operating rate</b>	10 cyc/mn
<b>[Ui] rated insulation voltage</b>	575 V UL 508
<b>Product Weight</b>	1 lb(US) (0.45 kg)
<b>Repeat accuracy</b>	+/- 3 %
<b>Terminals description ISO n°1</b>	L1-T1 L2-T2
<b>Width</b>	3.1 in (78.74 mm)
<b>Height</b>	2.8 in (71.12 mm)
<b>Depth</b>	3.76 in (95.50 mm)
<b>Factory modification</b>	Low pressure cut-off (AUTO-START-OFF) operates roughly 10 PSIG below cut-in

## Environment

<b>Standards</b>	NSF ANSI 61 Annex G UL 508 CE
<b>Ambient Air Temperature for Operation</b>	-33...257 °F (-36...125 °C)
<b>Ambient Air Temperature for Storage</b>	-33...257 °F (-36...125 °C)
<b>Protective treatment</b>	None
<b>NEMA degree of protection</b>	NEMA 1 UL 50
<b>IP degree of protection</b>	IP20 conforming to IEC 60529
<b>Product Certifications</b>	UL listed file E12158 CSA file LR25490

## Ordering and shipping details

<b>Category</b>	21534-9013 FSG,FYG (INDIVIDUAL - CP7I)
<b>Discount Schedule</b>	CP7I
<b>GTIN</b>	785901437383
<b>Returnability</b>	Yes
<b>Country of origin</b>	MX

## Packing Units

<b>Unit Type of Package 1</b>	PCE
<b>Number of Units in Package 1</b>	1
<b>Package 1 Height</b>	3.82 in (9.7 cm)
<b>Package 1 Width</b>	3.90 in (9.9 cm)
<b>Package 1 Length</b>	4.02 in (10.2 cm)
<b>Package 1 Weight</b>	13.60 oz (385.6 g)

## Offer Sustainability

---

California proposition 65	WARNING: This product can expose you to chemicals including: Diisononyl phthalate (DINP), which is known to the State of California to cause cancer, and Di-isodecyl phthalate (DIDP), which is known to the State of California to cause birth defects or other reproductive harm. For more information go to <a href="http://www.P65Warnings.ca.gov">www.P65Warnings.ca.gov</a>
EU RoHS Directive	Not applicable, out of EU RoHS legal scope
Environmental Disclosure	<a href="#">Product Environmental Profile</a>
Circularity Profile	<a href="#">End of Life Information</a>

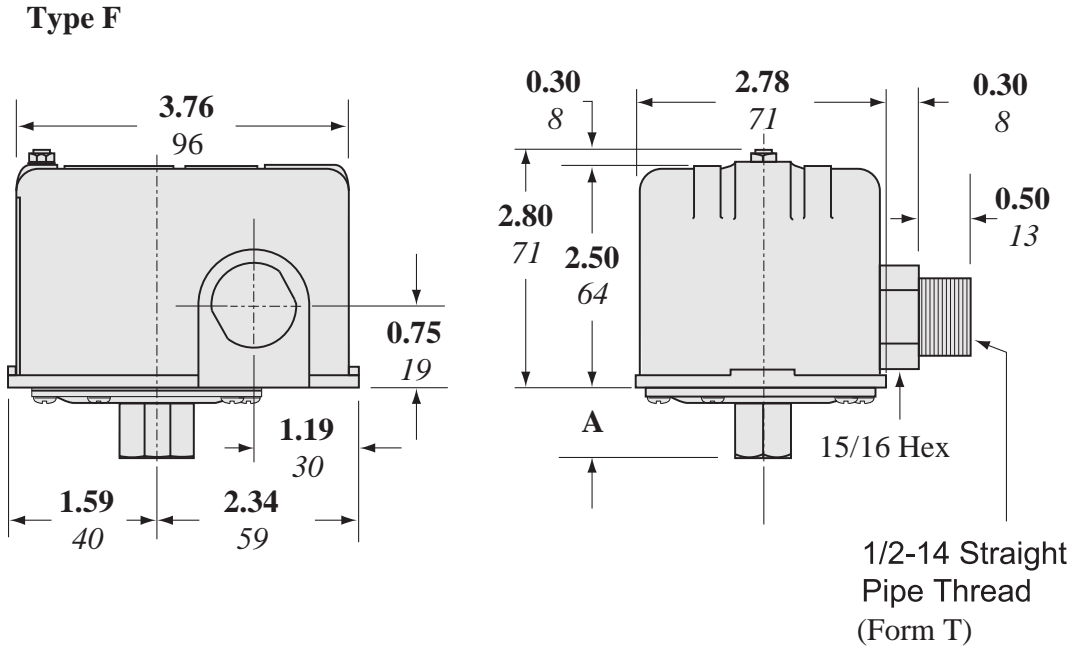
---

## Contractual warranty

---

Warranty	18 months
----------	-----------

**Dimensions**



Switch Type	A Dimension		in. mm
	in.	mm	
FSG1, FYG1	1-1/32	26	
FHG2, 12, 22, 32, 42, 52, FRG2, FSG2, FYG2	29/32	23	
FHG3, 13, 33, FRG3, FSG3, FYG3	1-9/32	33	
FHG9, 19, 29, 39, 49, 59, FSG9, FYG9	1-3/32	28	

ALL DIMENSIONS ARE APPROXIMATE.  
 ALSO REFER TO TECHNICAL DRAWINGS AND DOCUMENTATION.

**Recommended replacement(s)**