

# Product data sheet

Specifications

**SQUARE D**

**Green Premium™**



## 30mm Push Button, Types K, SK or KX, contact block, 1 NO and 1 NC

9001KA1

**Product availability : Stock - Normally stocked in distribution facility**

**Price\* : 42.80 USD**

### Main

<b>Range of Product</b>	Harmony 9001K Harmony 9001SK
<b>Product or Component Type</b>	Contact block
<b>Device short name</b>	9001K

### Complementary

<b>Net Weight</b>	0.06 lb(US) (0.027 kg)
<b>Contacts type and composition</b>	1 C/O
<b>Contact operation</b>	Positive opening
<b>Positive opening</b>	Without
<b>Connections - terminals</b>	Screw clamp terminals, 1 x 0.22...2 x 2.5 mm <sup>2</sup> IEC 60947-1
<b>Tightening torque</b>	7.08 lbf.in (0.8 N.m) IEC 60947-1
<b>Shape of screw head</b>	Cross slotted
<b>Contacts material</b>	Silver alloy contacts
<b>Short-circuit protection</b>	10 A cartridge fuse IEC 60947-5-1
<b>[Ith] conventional free air thermal current</b>	10 A
<b>[Ui] rated insulation voltage</b>	250 V 3)IEC 60947-1
<b>[Uimp] rated impulse withstand voltage</b>	2.5 kV IEC 60947-1
<b>[Ie] rated operational current</b>	3 A 240 V, AC-15, A600-Q600 NEMA 0.55 A 125 V, DC-13, A600-Q600 NEMA
<b>[Icm] rated short-circuit making capacity</b>	12 kA 600 V AC-15, 7200 VA 15 kA 480 V AC-15, 7200 VA 30 kA 240 V AC-15, 7200 VA 60 kA 120 V AC-15, 7200 VA 0.1 kA 600 V DC-13, 7200 VA 0.27 kA 250 V DC-13, 7200 VA 0.55 kA 125 V DC-13
<b>Rated breaking capacity</b>	3 kA 240 V AC-15, 720 VA 6 kA 120 V AC-15, 720 VA 1.2 kA 600 V AC-15, 720 VA 1.5 kA 480 V AC-15, 720 VA 0.1 kA 600 V DC-13 0.27 kA 250 V DC-13 0.55 kA 125 V DC-13
<b>[Us] rated supply voltage</b>	0...600 V

\* Price is "List Price" and may be subject to a trade discount – check with your local distributor or retailer for actual price.

Connections - Terminals	Screw-clamp terminals
-------------------------	-----------------------

## Environment

Protective treatment	TC
Ambient Air Temperature for Storage	-40...158 °F (-40...70 °C)
Ambient Air Temperature for Operation	-13...158 °F (-25...70 °C)
Electrical shock protection class	Class II IEC 61140
IP degree of protection	IP20 IEC 60529
Standards	EN/IEC 60947-5-1 JIS C 4520 UL 508 EN/IEC 60947-1 JIS C 852 CSA C22.2 No 14 EN/IEC 60947-5-4
Product Certifications	NEMA UL 508
Vibration resistance	7 gn 2...500 Hz)IEC 60068-2-6
Shock resistance	50 gn IEC 60068-2-27

## Ordering and shipping details

Category	21434-9001 KA CONTACT BLOCKS
Discount Schedule	CS1
GTIN	3389110917840
Returnability	Yes
Country of origin	MX

## Packing Units

Unit Type of Package 1	PCE
Number of Units in Package 1	1
Package 1 Height	0.98 in (2.500 cm)
Package 1 Width	1.18 in (3.000 cm)
Package 1 Length	1.57 in (4.000 cm)
Package 1 Weight	1.02 oz (29.000 g)
Unit Type of Package 2	S01
Number of Units in Package 2	100
Package 2 Height	5.91 in (15.000 cm)
Package 2 Width	5.91 in (15.000 cm)
Package 2 Length	15.75 in (40.000 cm)
Package 2 Weight	6.70 lb(US) (3.040 kg)

## Offer Sustainability

Sustainable offer status	Green Premium product
--------------------------	-----------------------

California proposition 65	WARNING: This product can expose you to chemicals including: Nickel compounds, which is known to the State of California to cause cancer, and Di-isodecyl phthalate (DIDP), which is known to the State of California to cause birth defects or other reproductive harm. For more information go to <a href="http://www.P65Warnings.ca.gov">www.P65Warnings.ca.gov</a>
---------------------------	--

REACH Regulation	<a href="#">REACH Declaration</a>
------------------	-----------------------------------

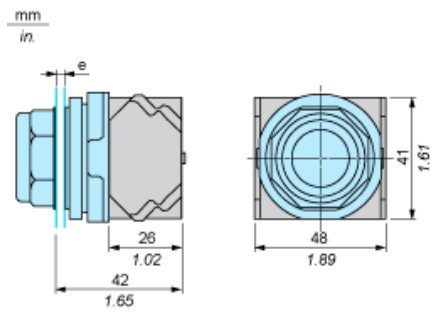
<b>EU RoHS Directive</b>	Pro-active compliance (Product out of EU RoHS legal scope) <a href="#">EU RoHS Declaration</a>
<b>Mercury free</b>	Yes
<b>China RoHS Regulation</b>	<a href="#">China RoHS declaration</a>
<b>RoHS exemption information</b>	Yes
<b>Environmental Disclosure</b>	<a href="#">Product Environmental Profile</a>
<b>WEEE</b>	The product must be disposed on European Union markets following specific waste collection and never end up in rubbish bins.

## Contractual warranty

<b>Warranty</b>	18 months
-----------------	-----------

Dimensions

---

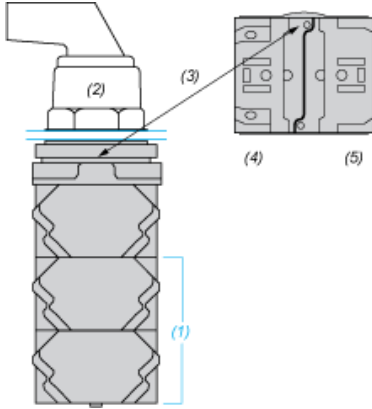


e panel thickness: 1 to 6 mm / 0.04 to 0.24 in.

**Contact Block Mounting Position**

---

Top and Rear views



- (1) It is possible to mount up to 3 levels of contacts blocks (maximum of 6 contacts blocks)
- (2) Operator
- (3) Locating notch
- (4) Side 1
- (5) Side 2

**Recommended replacement(s)**