

Product data sheet

Specifications

SQUARE D



Contactor, Definite Purpose, 40A, 3 pole, 25 HP at 575 VAC, 3 phase, 208/240 VAC 60 Hz 220 VAC 50 Hz coil, open

8910DPA43V09

Product availability : Stock - Normally stocked in distribution facility

Price* : 113.25 USD

Main

Product or Component Type	Definite Purpose Contactor
Line Rated Current	40 A
Number of Poles	3P
Pole contact composition	3 NO
Range of Product	DPA

Complementary

Maximum Horse Power Rating	3 hp 115 V AC, 1 phase 7.5 hp 230 V AC, 1 phase 10 hp 230 V AC, 3 phase 20 hp 460 V AC, 3 phase 25 hp 575 V AC, 3 phase
Locked rotor rated current	240 A 277 V AC 200 A 460 V AC 160 A 575 V AC
[Ue] rated operational voltage	600 V AC
[Uc] control circuit voltage	208...240 V AC 60 Hz 220 V AC 50 Hz
Phase	3 phase
Electrical Connection	Quick connect terminals Box lugs

Environment

Product Certifications	UL Recognized CSA
------------------------	----------------------

Ordering and shipping details

Category	21344-8910 DPA 4_(40 AMP)
Discount Schedule	CP1B
GTIN	785901073437
Returnability	Yes
Country of origin	CN

* Price is "List Price" and may be subject to a trade discount – check with your local distributor or retailer for actual price.

Packing Units

Unit Type of Package 1	PCE
Number of Units in Package 1	1
Package 1 Height	2.40 in (6.096 cm)
Package 1 Width	3.90 in (9.906 cm)
Package 1 Length	3.10 in (7.874 cm)
Package 1 Weight	16.00 oz (453.592 g)

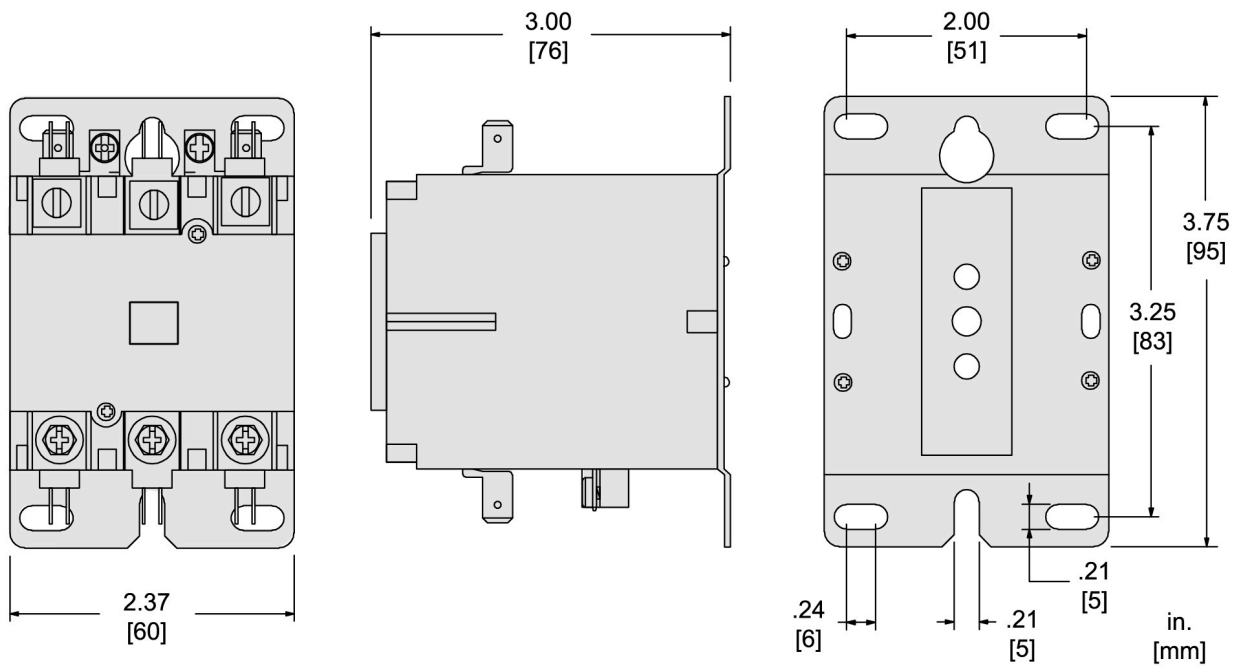
Offer Sustainability

REACH Regulation	REACH Declaration
EU RoHS Directive	Compliant EU RoHS Declaration
Mercury free	Yes
RoHS exemption information	Yes
China RoHS Regulation	China RoHS declaration Product out of China RoHS scope. Substance declaration for your information.

Contractual warranty

Warranty	18 months
----------	-----------

Dimensions



ALL DIMENSIONS ARE APPROXIMATE.
REFER TO TECHNICAL DRAWINGS AND DOCUMENTATION FOR COMPLETE INFORMATION.

Recommended replacement(s)