

# Product data sheet

Specifications

**SQUARE D**



Contactor, Definite Purpose, 40A, 3 pole, 25 HP at 575 VAC, 3 phase, 440/480 VAC 50/60 Hz coil, open

8910DPA43V06

Product availability : Stock - Normally stocked in distribution facility

**Price\* : 113.25 USD**

## Main

Product or Component Type	Definite Purpose Contactor
Line Rated Current	40 A
Number of Poles	3P
Pole contact composition	3 NO
Range of Product	DPA

## Complementary

Maximum Horse Power Rating	3 hp 115 V AC, 1 phase 7.5 hp 230 V AC, 1 phase 10 hp 230 V AC, 3 phase 20 hp 460 V AC, 3 phase 25 hp 575 V AC, 3 phase
Locked rotor rated current	240 A 277 V AC 200 A 460 V AC 160 A 575 V AC
[Ue] rated operational voltage	600 V AC
[Uc] control circuit voltage	440 V AC 50 Hz 480 V AC 60 Hz
Phase	3 phase
Electrical Connection	Quick connect terminals Box lugs

## Environment

Product Certifications	UL Recognized CSA
------------------------	----------------------

## Ordering and shipping details

Category	21344-8910 DPA 4_(40 AMP)
Discount Schedule	CP1B
GTIN	785901024484
Returnability	Yes
Country of origin	CN

\* Price is "List Price" and may be subject to a trade discount – check with your local distributor or retailer for actual price.

## Packing Units

Unit Type of Package 1	PCE
Number of Units in Package 1	1
Package 1 Height	3.20 in (8.128 cm)
Package 1 Width	3.90 in (9.906 cm)
Package 1 Length	2.50 in (6.35 cm)
Package 1 Weight	16.32 oz (462.664 g)

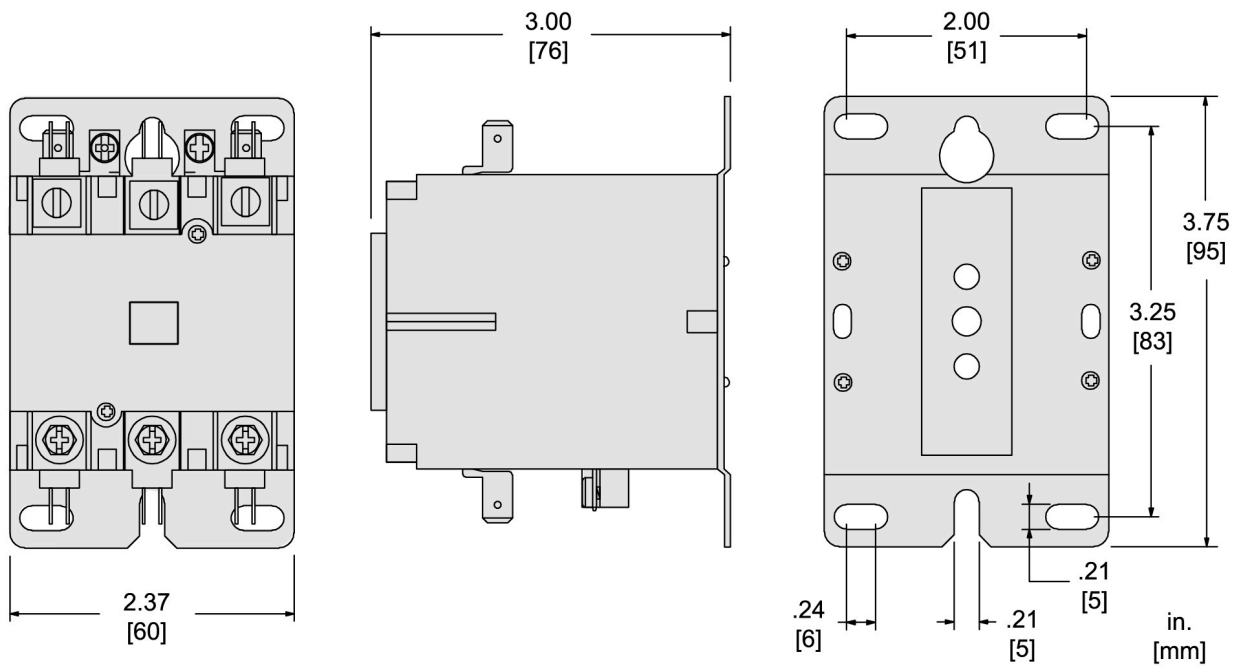
## Offer Sustainability

REACH Regulation	<a href="#">REACH Declaration</a>
EU RoHS Directive	Compliant <a href="#">EU RoHS Declaration</a>
Mercury free	Yes
China RoHS Regulation	<a href="#">China RoHS declaration</a> Product out of China RoHS scope. Substance declaration for your information.
RoHS exemption information	Yes

## Contractual warranty

Warranty	18 months
----------	-----------

Dimensions



ALL DIMENSIONS ARE APPROXIMATE.  
REFER TO TECHNICAL DRAWINGS AND DOCUMENTATION FOR COMPLETE INFORMATION.

Recommended replacement(s)