

# Product data sheet

Specifications

**SQUARE D**



Contactor, Definite Purpose, 40A, 2 pole, 7.5 HP at 230 VAC, 1 phase, 24/24 VAC 50/60 Hz coil, open

8910DPA42V14

Product availability : Stock - Normally stocked in distribution facility

**Price\* : 101.75 USD**

## Main

Product or Component Type	Definite Purpose Contactor
Line Rated Current	40 A
Number of Poles	2P
Pole contact composition	2 NO
Range of Product	DPA

## Complementary

Maximum Horse Power Rating	3 hp 115 V AC, 1 phase 7.5 hp 230 V AC, 1 phase
Locked rotor rated current	240 A 277 V AC 200 A 460 V AC 160 A 575 V AC
[Ue] rated operational voltage	600 V AC
[Uc] control circuit voltage	24 V AC 50/60 Hz
Phase	1 phase
Electrical Connection	Quick connect terminals Box lugs

## Environment

Product Certifications	UL Recognized CSA
------------------------	----------------------

## Ordering and shipping details

Category	21344-8910 DPA 4_(40 AMP)
Discount Schedule	CP1B
GTIN	785901073482
Returnability	Yes
Country of origin	CN

## Packing Units

Unit Type of Package 1	PCE
Number of Units in Package 1	1

\* Price is "List Price" and may be subject to a trade discount – check with your local distributor or retailer for actual price.

<b>Package 1 Height</b>	3.20 in (8.128 cm)
<b>Package 1 Width</b>	2.60 in (6.604 cm)
<b>Package 1 Length</b>	4.20 in (10.668 cm)
<b>Package 1 Weight</b>	16.00 oz (453.592 g)

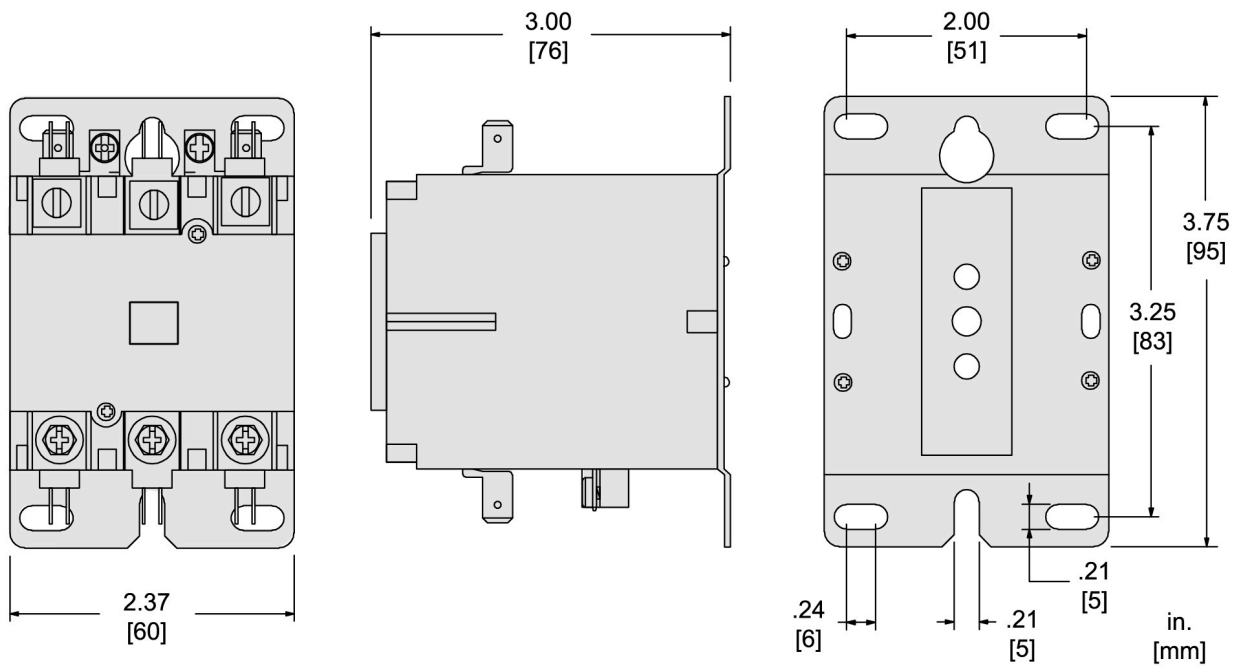
## Offer Sustainability

<b>REACH Regulation</b>	<a href="#">REACH Declaration</a>
<b>EU RoHS Directive</b>	Compliant <a href="#">EU RoHS Declaration</a>
<b>Mercury free</b>	Yes
<b>RoHS exemption information</b>	Yes
<b>China RoHS Regulation</b>	<a href="#">China RoHS declaration</a> Product out of China RoHS scope. Substance declaration for your information.

## Contractual warranty

<b>Warranty</b>	18 months
-----------------	-----------

Dimensions



ALL DIMENSIONS ARE APPROXIMATE.  
REFER TO TECHNICAL DRAWINGS AND DOCUMENTATION FOR COMPLETE INFORMATION.

Recommended replacement(s)