

Product data sheet

Specifications

SQUARE D



Contactor, Definite Purpose, 30A, 3 pole, 20 HP at 575 VAC, 3 phase, 110/120 VAC 50/60 Hz coil, open

8910DPA33V02

Product availability : Stock - Normally stocked in distribution facility

Price* : 96.63 USD

Main

Product or Component Type	Definite Purpose Contactor
Line Rated Current	30 A
Number of Poles	3P
Pole contact composition	3 NO
Range of Product	DPA

Complementary

Maximum Horse Power Rating	2 hp 115 V AC, 1 phase 5 hp 230 V AC, 1 phase 10 hp 230 V AC, 3 phase 15 hp 460 V AC, 3 phase 20 hp 575 V AC, 3 phase
Locked rotor rated current	150 A 460 V AC 120 A 575 V AC 180 A 277 V AC
[Ue] rated operational voltage	600 V AC
[Uc] control circuit voltage	120 V AC 60 Hz 110 V AC 50 Hz
Phase	3 phase
Electrical Connection	Binder head Quick connect terminals
Height	2.31 in (58.67 mm) 2.31 in (58.70 mm)
Width	2.37 in (60.20 mm) 2.37 in (60.2 mm)
Depth	2.90 in (73.66 mm) 2.99 in (76 mm)
Net Weight	0.99 lb(US) (0.45 kg) 0.99 lb(US) (0.45 kg)

Environment

Product Certifications	UL Recognized CSA
------------------------	----------------------

Ordering and shipping details

Category	21343-8910 DPA 3_(30 AMP)
----------	---------------------------

* Price is "List Price" and may be subject to a trade discount – check with your local distributor or retailer for actual price.

Discount Schedule	CP1B
GTIN	785901073536
Returnability	Yes
Country of origin	CN

Packing Units

Unit Type of Package 1	PCE
Number of Units in Package 1	1
Package 1 Height	3.10 in (7.874 cm)
Package 1 Width	2.50 in (6.35 cm)
Package 1 Length	4.00 in (10.16 cm)
Package 1 Weight	15.84 oz (449.056 g)

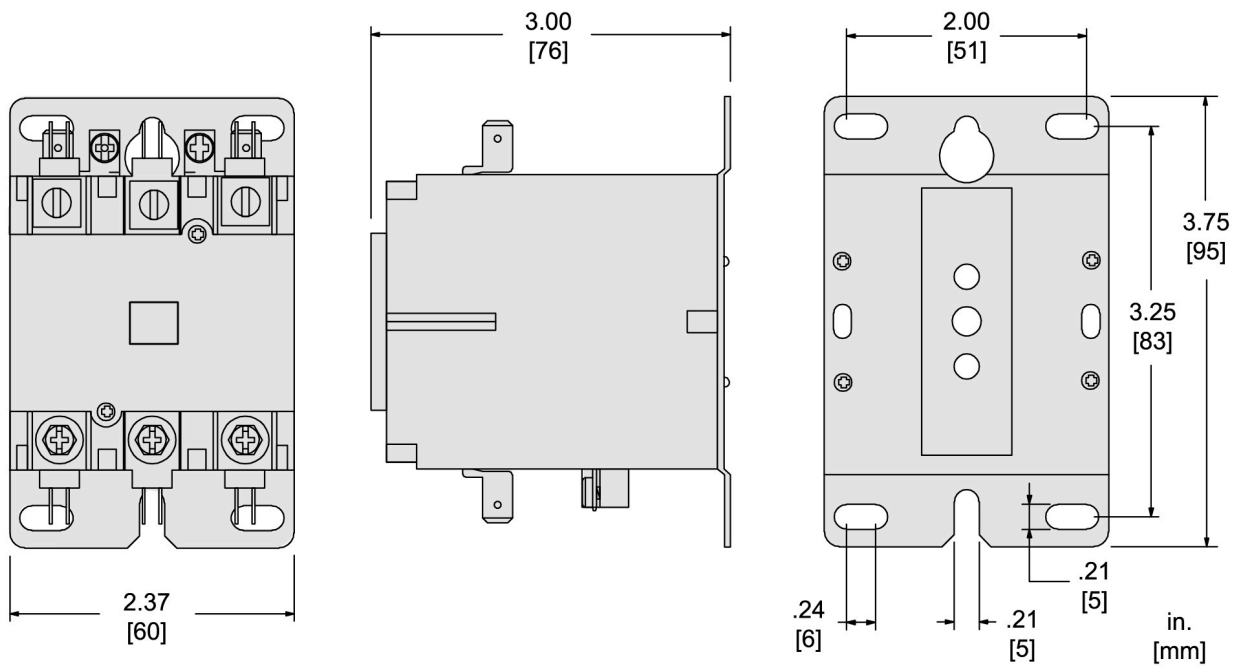
Offer Sustainability

REACH Regulation	REACH Declaration
EU RoHS Directive	Compliant EU RoHS Declaration
Mercury free	Yes
RoHS exemption information	Yes
China RoHS Regulation	China RoHS declaration Product out of China RoHS scope. Substance declaration for your information.

Contractual warranty

Warranty	18 months
----------	-----------

Dimensions



ALL DIMENSIONS ARE APPROXIMATE.
REFER TO TECHNICAL DRAWINGS AND DOCUMENTATION FOR COMPLETE INFORMATION.

Recommended replacement(s)