

Product data sheet

Specifications

SQUARE D



Contactor, Definite Purpose, 30A,
2 pole, 5 HP at 230VAC, 1 phase,
110/120VAC coil at 50/60Hz, open

8910DPA32V02

Product availability : Stock - Normally stocked in distribution facility

Price* : 91.38 USD

Main

Product or Component Type	Definite Purpose Contactor
Line Rated Current	30 A
Number of Poles	2P
Pole contact composition	2 NO
Range of Product	DPA

Complementary

Maximum Horse Power Rating	2 hp 115 V AC, 1 phase 5 hp 230 V AC, 1 phase
Locked rotor rated current	150 A 460 V AC 120 A 575 V AC 180 A 277 V AC
[Ue] rated operational voltage	600 V AC
[Uc] control circuit voltage	120 V AC 60 Hz 110 V AC 50 Hz
Phase	1 phase
Electrical Connection	Binder head Quick connect terminals
Height	2.31 in (58.67 mm) 2.31 in (58.70 mm)
Width	2.37 in (60.20 mm) 2.37 in (60.2 mm)
Depth	2.90 in (73.66 mm) 2.99 in (76 mm)
Net Weight	0.97 lb(US) (0.44 kg) 0.98 lb(US) (0.44 kg)

Environment

Product Certifications	UL Recognized CSA
------------------------	----------------------

Ordering and shipping details

Category	21343-8910 DPA 3_(30 AMP)
Discount Schedule	CP1B
GTIN	785901116967

* Price is "List Price" and may be subject to a trade discount – check with your local distributor or retailer for actual price.

Returnability	Yes
Country of origin	CN

Packing Units

Unit Type of Package 1	PCE
Number of Units in Package 1	1
Package 1 Height	2.50 in (6.35 cm)
Package 1 Width	3.10 in (7.874 cm)
Package 1 Length	4.00 in (10.16 cm)
Package 1 Weight	15.68 oz (444.521 g)

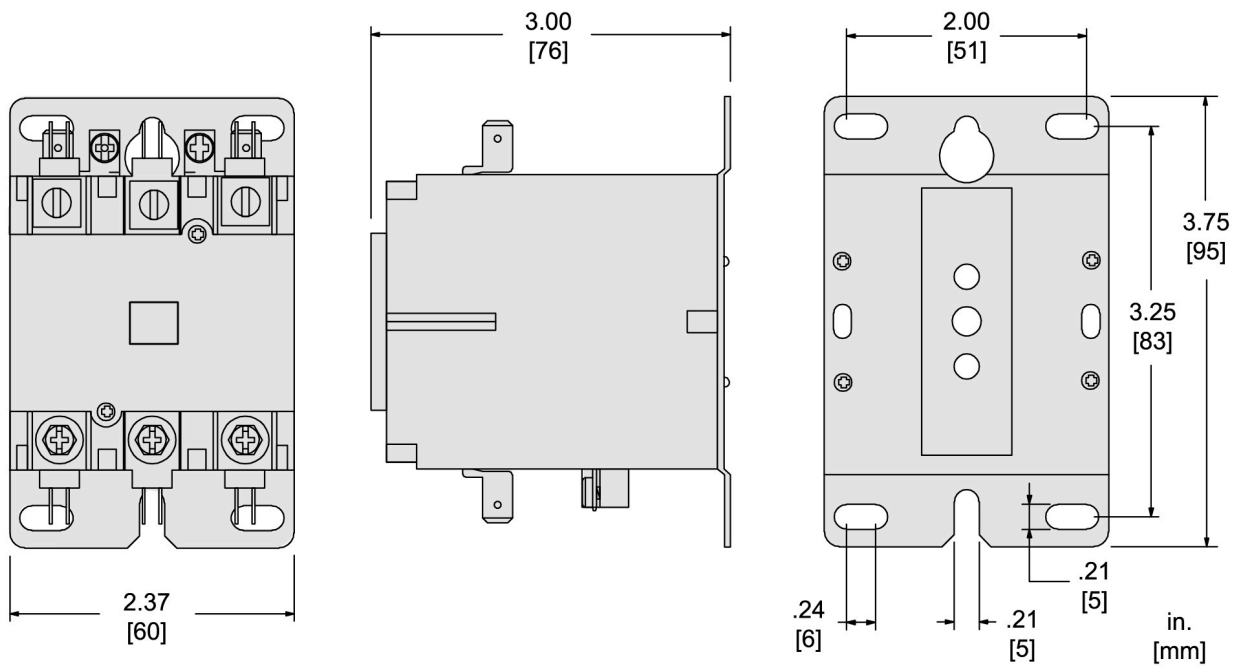
Offer Sustainability

REACH Regulation	REACH Declaration
EU RoHS Directive	Compliant EU RoHS Declaration
Mercury free	Yes
China RoHS Regulation	China RoHS declaration Product out of China RoHS scope. Substance declaration for your information.
RoHS exemption information	Yes

Contractual warranty

Warranty	18 months
----------	-----------

Dimensions



ALL DIMENSIONS ARE APPROXIMATE.
REFER TO TECHNICAL DRAWINGS AND DOCUMENTATION FOR COMPLETE INFORMATION.

Recommended replacement(s)