

# Product data sheet

Specifications

**SQUARE** D

**Green Premium™**



Power Relay, Type C, 2 HP, 30A resistive at 300 VAC, SPDT, 1 normally open and 1 normally closed contact, 120 VAC coil

8501CO15V20

Product availability : Stock - Normally stocked in distribution facility

**Price\* : 69.54 USD**

## Main

Product range	Power Relay 8501C
Product type	Power relay
Short name	type C
[In] rated line current	30 A
Device application	Suited for controlling small single phase motors and other light loads
Switch function	SPDT
Contact composition	1 NO/1 NC
[Uc] control circuit voltage	120 V AC 50/60 Hz
Horsepower rating	2.0 hp
Maximum switching voltage	600 V AC

## Complementary

Class number	8501
Phase	1 phase
Terminal connects	Screw clamp terminal
Wire range	AWG 10 copper
Terminal tightening torque	11...15 lbf.in (1.24...1.69 N.m)
Coil burden	10 VA
Mounting	Panel mounting

## Environment

Ambient temperature range - operational	-22...122 °F (-30...50 °C)
Product certifications	UL listed file E78351 CCN NLDX CSA CE
Height	2.43 in (61.72 mm)
Width	2.5 in (63.50 mm)
Depth	2.18 in (55.37 mm)

\* Price is "List Price" and may be subject to a trade discount – check with your local distributor or retailer for actual price.

## Ordering and shipping details

Category	21131-8501 C
Discount Schedule	CP2
GTIN	785901052104
Returnability	Yes
Country of origin	CN

## Packing Units

Unit Type of Package 1	PCE
Number of Units in Package 1	1
Package 1 Height	2.70 in (6.858 cm)
Package 1 Width	3.10 in (7.874 cm)
Package 1 Length	3.30 in (8.382 cm)
Package 1 Weight	8.00 oz (226.796 g)

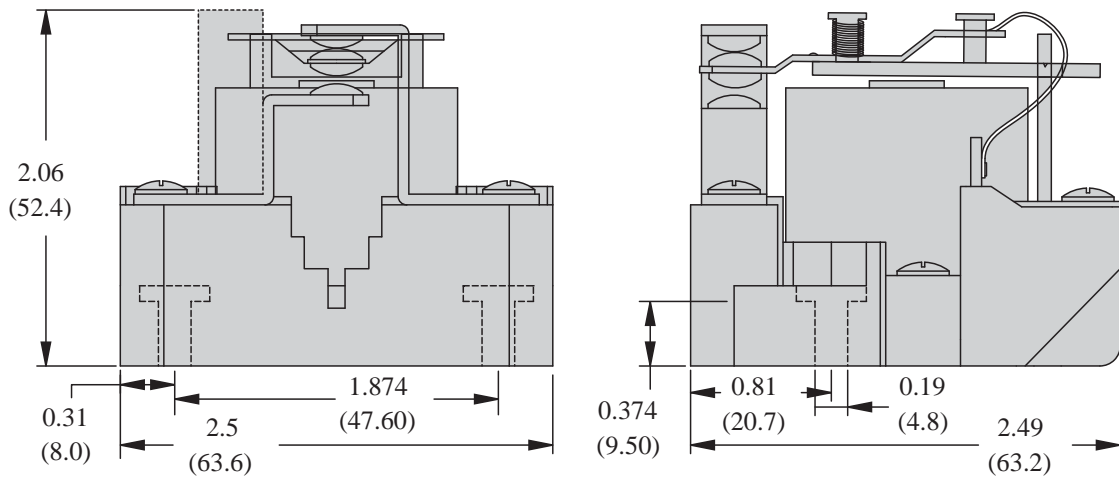
## Offer Sustainability

Sustainable offer status	Green Premium product
California proposition 65	WARNING: This product can expose you to chemicals including: Nickel compounds, which is known to the State of California to cause cancer, and Di-isodecyl phthalate (DIDP), which is known to the State of California to cause birth defects or other reproductive harm. For more information go to <a href="http://www.P65Warnings.ca.gov">www.P65Warnings.ca.gov</a>
REACH Regulation	<a href="#">REACH Declaration</a>
REACH free of SVHC	Yes
EU RoHS Directive	Pro-active compliance (Product out of EU RoHS legal scope) <a href="#">EU RoHS Declaration</a>
Toxic heavy metal free	Yes
Mercury free	Yes
RoHS exemption information	<a href="#">Yes</a>
China RoHS Regulation	<a href="#">China RoHS declaration</a>
Environmental Disclosure	<a href="#">Product Environmental Profile</a>
WEEE	The product must be disposed on European Union markets following specific waste collection and never end up in rubbish bins.

## Contractual warranty

Warranty	18 months
----------	-----------

Dimensions



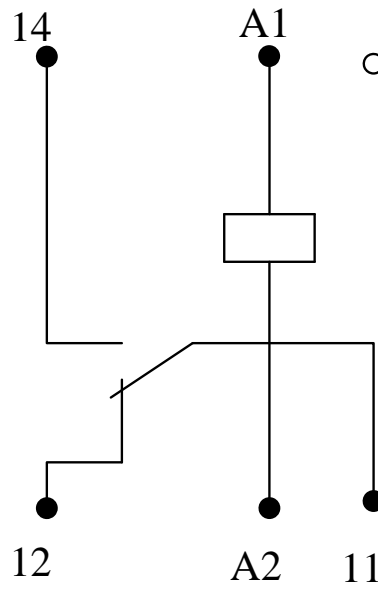
8501CO15  
8501CDO15

in.  
(mm)

All dimensions are approximate.  
Also refer to technical drawings and documentation.

Wiring Diagram

---



(SPDT)

8501CO15  
8501CDO15

Recommended replacement(s)