

Product data sheet

Specifications



Power relay, SE Relays, 25A, 2NO, 24VAC, LED push button, screw terminals, DIN or panel mount

725BXXSC3ML-24A

Product availability : Non-Stock - Not normally stocked in distribution facility

Price* : 19.65 USD

Main

Product range	Harmony Electromechanical Relays
Product type	DIN rail/panel mount relay
[In] rated line current	25 A
Contact composition	2 NO
Contacts material	Silver alloy contacts
Series name	Power
Local signalling	LED indicator test button
Rated power in W	1.3 kW 120 V tungsten
Network Frequency	50/60 Hz
Rated power in hp	1 hp 120 V AC 2 hp 277 V AC
[Uc] control circuit voltage	24 V
Connections - Terminals	Screw clamp terminals

Complementary

Class number	725
Control Type	Test button
Maximum switching voltage	240 V CE 277 V UL
[Ie] rated operational current	25 A at 277 V AC (on resistive load) conforming to UL 25 A at 240 V AC (general purpose) conforming to UL 25 A at 30 V DC (on resistive load) conforming to UL 25 A at 240 V AC (on resistive load) conforming to IEC 25 A at 28 V DC (on resistive load) conforming to IEC
Coil resistance	275 Ohm
Connections - terminals	Screw coil terminal M3.5 Screw contact terminal M4
Minimum switching current	100 mA 5 V DC
Tightening torque	10.6...15 lb.in 1.2...1.7 N.m
Drop-out voltage threshold	AC
Nominal input voltage	20.4...26.4 V AC 50/60 Hz
Average coil consumption	2.50 VA

* Price is "List Price" and may be subject to a trade discount – check with your local distributor or retailer for actual price.

Electrical durability	100000 cycles resistive IEC
Mechanical durability	5000000 cycles
Response Time	30 ms
Dielectric strength	4000 V AC between coil and contact 2000 V AC between poles
Mounting	DIN rail Flange
Net Weight	4.23 oz (120 g)

Environment

Ambient temperature range - operational	-4...131 °F (-20...55 °C)
Ambient Air Temperature for Storage	-67...212 °F (-55...100 °C)
Product certifications	UL CSA CE
Standards	IEC 60947-1 UL 60947-4-1A
IP Degree of Protection	IP20
Height	2.67 in (67.7 mm)
Width	1.37 in (34.9 mm)
Depth	2.12 in (53.9 mm)

Ordering and shipping details

Category	21127-ZELIO ICE CUBE RELAYS
Discount Schedule	CP2
GTIN	3606480279034
Returnability	No
Country of origin	CN

Packing Units

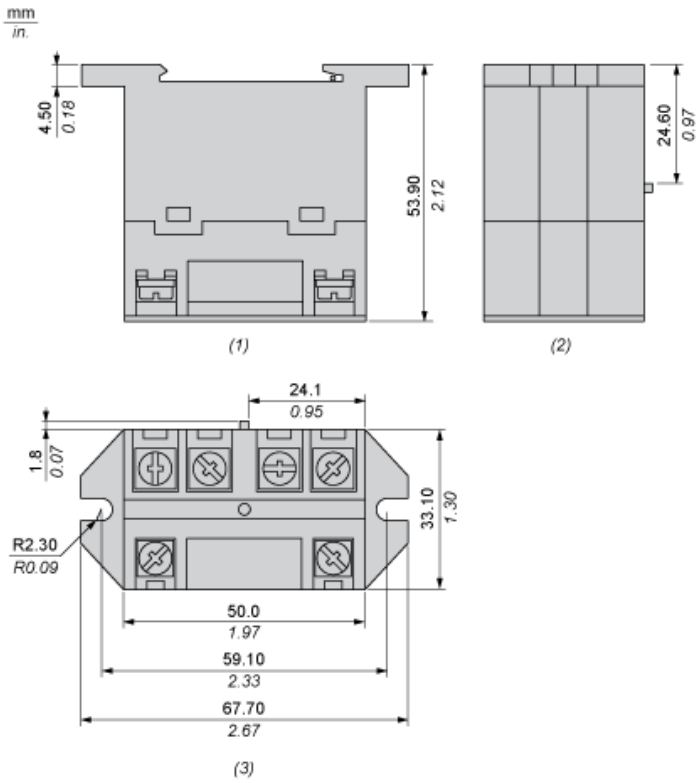
Unit Type of Package 1	PCE
Number of Units in Package 1	1
Package 1 Height	1.94 in (4.94 cm)
Package 1 Width	1.30 in (3.31 cm)
Package 1 Length	2.67 in (6.77 cm)
Package 1 Weight	4.23 oz (120.0 g)
Unit Type of Package 2	BB1
Number of Units in Package 2	10
Package 2 Height	2.99 in (7.6 cm)
Package 2 Width	5.75 in (14.6 cm)
Package 2 Length	12.56 in (31.9 cm)
Package 2 Weight	2.65 lb(US) (1.2 kg)
Unit Type of Package 3	CAR
Number of Units in Package 3	100
Package 3 Height	12.99 in (33.0 cm)

Package 3 Width	12.20 in (31.0 cm)
Package 3 Length	14.17 in (36.0 cm)
Package 3 Weight	26.46 lb(US) (12.0 kg)

Offer Sustainability

California proposition 65	WARNING: This product can expose you to chemicals including: Nickel compounds, which is known to the State of California to cause cancer, and Di-isodecyl phthalate (DIDP), which is known to the State of California to cause birth defects or other reproductive harm. For more information go to www.P65Warnings.ca.gov
REACH Regulation	REACH Declaration
REACH free of SVHC	Yes
EU RoHS Directive	Pro-active compliance (Product out of EU RoHS legal scope) EU RoHS Declaration
Toxic heavy metal free	Yes
Mercury free	Yes
RoHS exemption information	Yes
China RoHS Regulation	China RoHS declaration
WEEE	The product must be disposed on European Union markets following specific waste collection and never end up in rubbish bins.

Dimensions



- (1) : Back View
- (2) : Side View
- (3) : Top View

Wiring



Recommended replacement(s)