

Product data sheet

Specifications

SQUARE D



Switch, manual, 30A, 3 pole, 10 HP at 575 VAC, three phase, toggle operated, no indicator, NEMA 1 enclosure

2510KG2

Product availability : Stock - Normally stocked in distribution facility

Price* : 156.57 USD

Main

Product	Single Unit Manual Switch
Type	K

Complementary

Current Rating	30 A
Cable Entry	0.5" and 0.75" knock-outs (top and bottom)
Horsepower Rating	2 hp 115 V AC 1 hp 90 V DC 2 hp 115 V DC 1.5 hp 230 V DC 7.5 hp 230 V AC 10 hp 460 V AC 10 hp 575 V AC
Maximum Voltage Rating	600 V AC 230 V DC
Number of Poles	3P
Control Unit Type	Toggle
Number of Phases	3 phase
Pilot Light	No indicator
Starter Type	Non reversing
Electrical Connection	Screw clamp terminals
Wire Gauge	AWG 14...AWG 10 copper
Height	4.25 in (107.95 mm)
Width	2.44 in (61.98 mm)
Depth	2.75 in (69.85 mm)
Net Weight	0.84 lb(US) (0.38 kg)

Environment

Certifications	UL listed file E42243 CCN NLRV CSA LR25490 class 3211 05
NEMA Enclosure Rating	NEMA 1 Plastic standard size

* Price is "List Price" and may be subject to a trade discount – check with your local distributor or retailer for actual price.

Ordering and shipping details

Category	21102-2510,2511,2512 K
Discount Schedule	CP1
GTIN	785901554509
Returnability	Yes
Country of origin	MX

Packing Units

Unit Type of Package 1	PCE
Number of Units in Package 1	1
Package 1 Height	2.90 in (7.366 cm)
Package 1 Width	2.70 in (6.858 cm)
Package 1 Length	4.80 in (12.192 cm)
Package 1 Weight	13.44 oz (381 g)
Unit Type of Package 2	CAR
Number of Units in Package 2	21
Package 2 Height	8.80 in (22.352 cm)
Package 2 Width	8.40 in (21.336 cm)
Package 2 Length	14.50 in (36.83 cm)
Package 2 Weight	18.14 lb(US) (8.228 kg)
Unit Type of Package 3	PAL
Number of Units in Package 3	576
Package 3 Height	40.00 in (101.6 cm)
Package 3 Width	40.00 in (101.6 cm)
Package 3 Length	48.00 in (121.92 cm)
Package 3 Weight	490.00 lb(US) (222.26 kg)

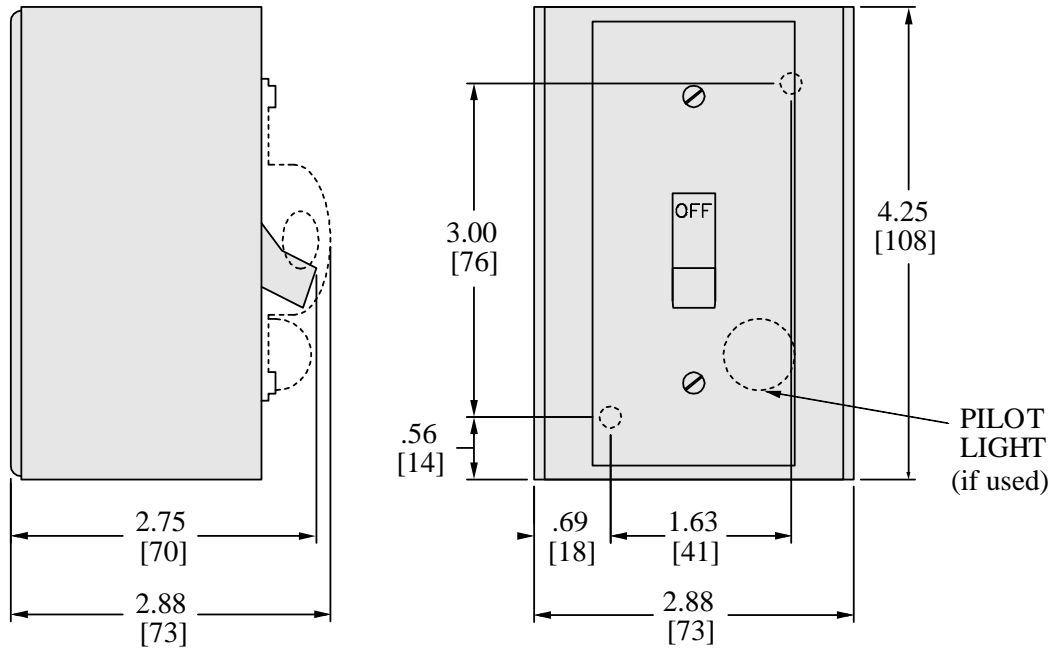
Offer Sustainability

California proposition 65	WARNING: This product can expose you to chemicals including: Lead and lead compounds, which is known to the State of California to cause cancer and birth defects or other reproductive harm. For more information go to www.P65Warnings.ca.gov
REACH Regulation	REACH Declaration
REACH free of SVHC	Yes
EU RoHS Directive	Not compliant
China RoHS Regulation	China RoHS declaration Product out of China RoHS scope. Substance declaration for your information.
PVC free	Yes

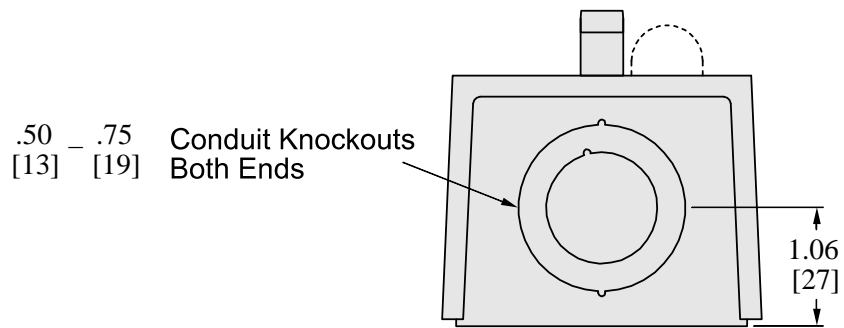
Contractual warranty

Warranty	18 months
----------	-----------

Dimensions

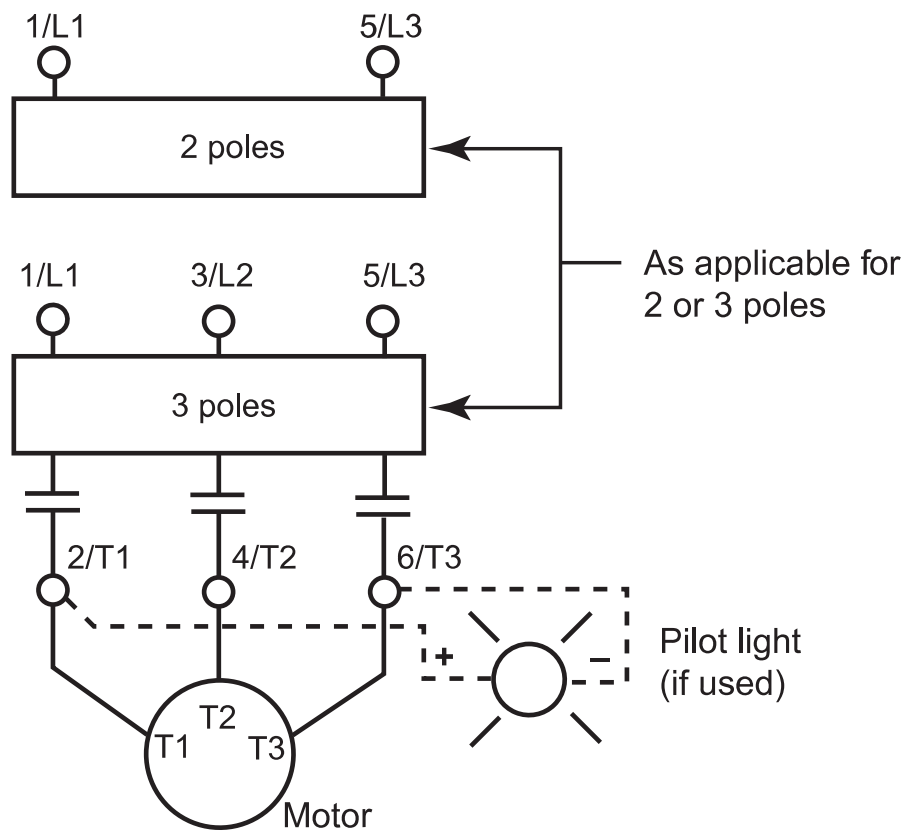


in.
[mm]



ALL DIMENSIONS ARE APPROXIMATE.
 REFER TO TECHNICAL DRAWINGS AND DOCUMENTATION.

Wiring Diagram



NOTE: The lamp is polarity sensitive in DC applications.

Recommended replacement(s)