

# Product data sheet

Specifications

SQUARE D



Switch, manual, 30A, 2 pole, 3 HP at 575 VAC, single phase, toggle operated, no indicator, NEMA 1 enclosure

2510KG1

Product availability: Stock - Normally stocked in distribution facility

Price\*: 69.36 USD

## Main

Product	Single Unit Manual Switch
Type	K

## Complementary

Current Rating	30 A
Cable Entry	0.5" and 0.75" knock-outs (top and bottom)
Horsepower Rating	2 hp 115 V AC 2 hp 230 V AC 3 hp 460 V AC 3 hp 575 V AC 1 hp 90 V DC 2 hp 115 V DC 1.5 hp 230 V DC
Maximum Voltage Rating	600 V AC 230 V DC
Number of Poles	2P
Control Unit Type	Toggle
Number of Phases	1 phase
Pilot Light	No indicator
Starter Type	Non reversing
Electrical Connection	Screw clamp terminals
Wire Gauge	AWG 14...AWG 10 copper
Height	4.25 in (107.95 mm)
Width	2.44 in (61.98 mm)
Depth	2.75 in (69.85 mm)
Net Weight	0.84 lb(US) (0.38 kg)

## Environment

Certifications	UL listed file E42243 CCN NLRV CSA LR25490 class 3211 05
NEMA Enclosure Rating	NEMA 1 Plastic standard size

## Ordering and shipping details

Price is "List Price" and may be subject to a trade discount – check with your local distributor or retailer for actual price.

Category	US10CP121102
Discount Schedule	0CP1
GTIN	785901554479
Returnability	Yes
Country of origin	US

## Packing Units

Unit Type of Package 1	PCE
Number of Units in Package 1	1
Package 1 Height	2.500 in (6.350 cm)
Package 1 Width	3.100 in (7.874 cm)
Package 1 Length	4.900 in (12.446 cm)
Package 1 Weight	13.280 oz (376.481 g)
Unit Type of Package 2	CAR
Number of Units in Package 2	21
Package 2 Height	8.0000000000 in (20.320 cm)
Package 2 Width	9.0000000000 in (22.860 cm)
Package 2 Length	14.600 in (37.084 cm)
Package 2 Weight	18.060 lb(US) (8.192 kg)

## Contractual warranty

Warranty	18 months
----------	-----------

## Sustainability

**Green Premium™** label is Schneider Electric's commitment to delivering products with best-in-class environmental performance. Green Premium promises compliance with the latest regulations, transparency on environmental impacts, as well as circular and low-CO<sub>2</sub> products.

**Guide to assessing product sustainability** is a white paper that clarifies global eco-label standards and how to interpret environmental declarations.

[Learn more about Green Premium >](#)

[Guide to assess a product's sustainability >](#)

## Well-being performance



Pvc Free

---

### Reach Regulation

[REACH Declaration](#)

---

### Eu Rohs Directive

Not compliant

---

### China Rohs Regulation

[China RoHS declaration](#)

Product out of China RoHS scope. Substance declaration for your information.

---

### California Proposition 65

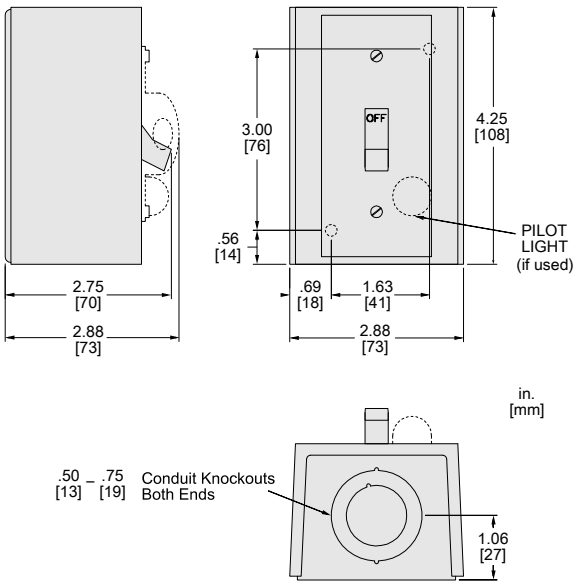
"WARNING: This product can expose you to chemicals including: Lead and lead compounds, which is known to the State of California to cause cancer and birth defects or other reproductive harm. For more information go to [www.P65Warnings.ca.gov](http://www.P65Warnings.ca.gov)"

---

Technical Illustration

Dimensions

---

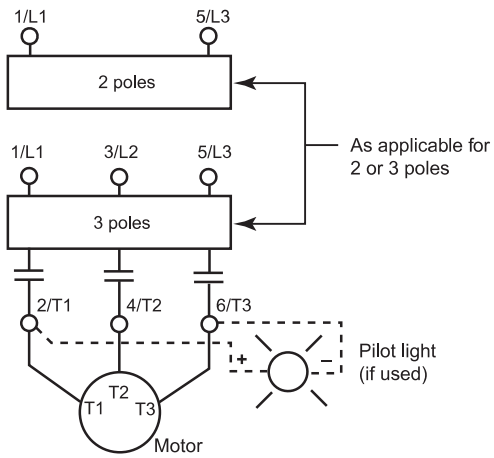


ALL DIMENSIONS ARE APPROXIMATE.  
REFER TO TECHNICAL DRAWINGS AND DOCUMENTATION.

Technical Illustration

Wiring diagram

---



**NOTE:** The lamp is polarity sensitive in DC applications.