

Product data sheet

Specifications

SQUARE D



Manual Starter, fractional horsepower, 16A, 2 poles, 1 HP at 277 VAC, toggle operated, no indicator, open style

2510FO2

Product availability : Stock - Normally stocked in distribution facility

Price* : 90.37 USD

Main

Product	Single Unit Manual Starter
Type	F
Overload Relay Type	Melting alloy

Complementary

Current Rating	16 A
Cable entry	Without
Horsepower Rating	1 hp 115 V AC 1 hp 277 V AC 0.75 hp 115 V DC 0.75 hp 230 V DC 2 hp 230 V AC
Voltage Rating	277 V AC 230 V DC
Number of Poles	2P
Control Unit	Toggle switch
Number of Phases	1 phase
Pilot Light	No indicator
Reset	Manual
Motor starter type	Non reversing
Electrical Connection	Screw clamp terminals
Wire Gauge	AWG 14...AWG 12 copper
Height	4.13 in (104.90 mm)
Width	1.69 in (42.93 mm)
Depth	2.22 in (56.39 mm)
Net Weight	0.33 lb(US) (0.15 kg)

Environment

Product Certifications	UL recognized E42243 CCN NLRV2 CSA LR25490 class 3211 05
NEMA Enclosure Rating	Not rated (open device)

* Price is "List Price" and may be subject to a trade discount – check with your local distributor or retailer for actual price.

Ordering and shipping details

Category	21101-2510,2511,2512 F
Discount Schedule	CP1
GTIN	785901554158
Returnability	Yes
Country of origin	MX

Packing Units

Unit Type of Package 1	PCE
Number of Units in Package 1	1
Package 1 Height	2.01 in (5.1 cm)
Package 1 Width	2.91 in (7.4 cm)
Package 1 Length	4.69 in (11.9 cm)
Package 1 Weight	5.44 oz (154.2 g)
Unit Type of Package 2	PAL
Number of Units in Package 2	624
Package 2 Height	40.00 in (101.6 cm)
Package 2 Width	40.00 in (101.6 cm)
Package 2 Length	48.00 in (121.92 cm)
Package 2 Weight	213.00 lb(US) (96.615 kg)

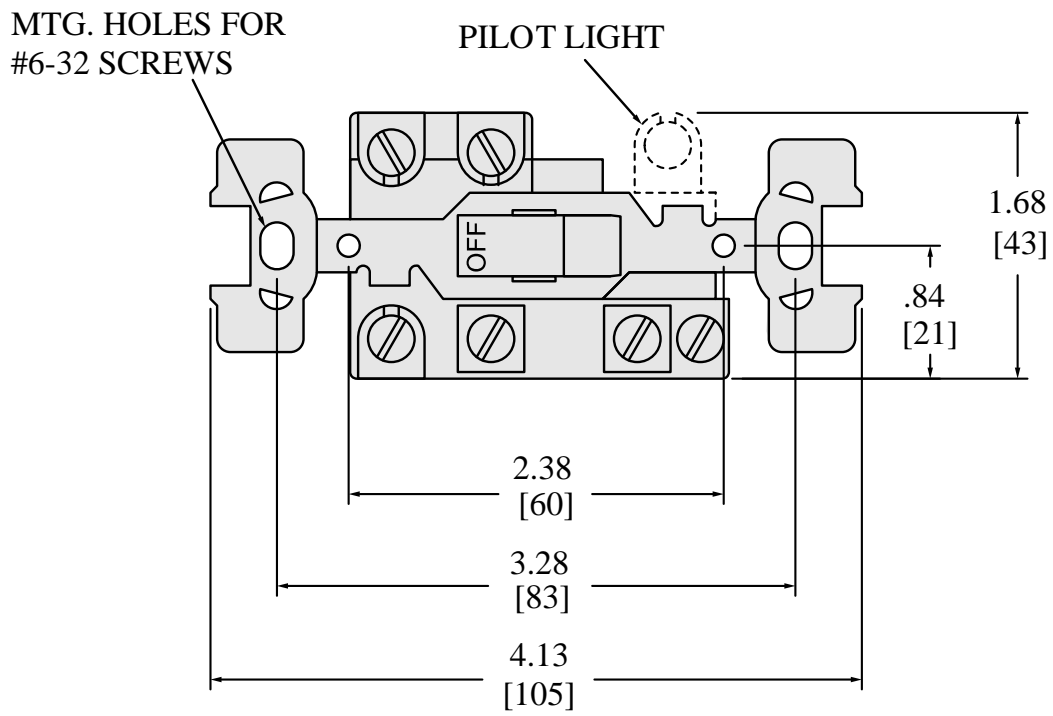
Offer Sustainability

California proposition 65	WARNING: This product can expose you to chemicals including: Lead and lead compounds, which is known to the State of California to cause cancer and birth defects or other reproductive harm. For more information go to www.P65Warnings.ca.gov
REACH Regulation	REACH Declaration
REACH free of SVHC	Yes
EU RoHS Directive	Not compliant
China RoHS Regulation	China RoHS declaration Product out of China RoHS scope. Substance declaration for your information.
PVC free	Yes

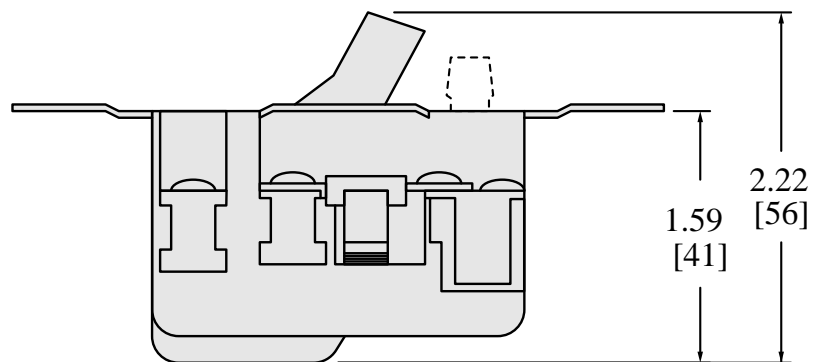
Contractual warranty

Warranty	18 months
----------	-----------

Dimensions



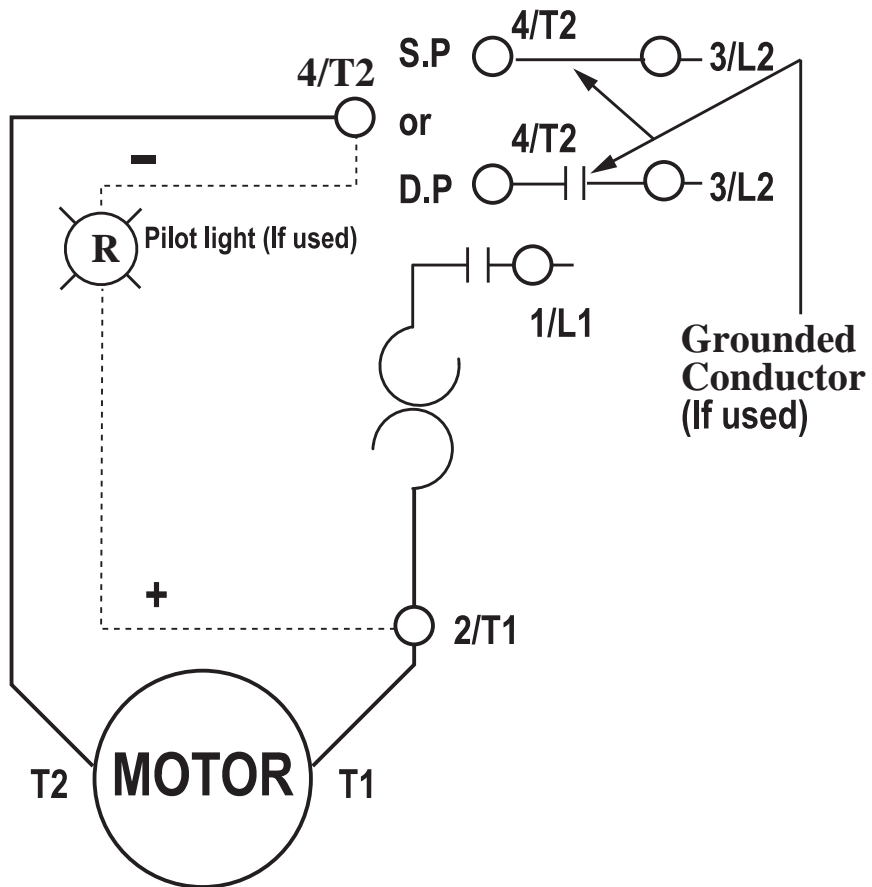
in.
[mm]



All dimensions are approximate.
Also see technical drawings and/or documentation.

TI_DIM_2510FO

Wiring Diagram



REFER TO INSTRUCTION SHEET AND
TECHNICAL DOCUMENTATION FOR COMPLETE INFORMATION

Recommended replacement(s)