

# Product data sheet

Specifications

**SQUARE D**



Manual Starter, fractional horsepower, 16A, 1 pole, 1 HP at 277 VAC, toggle operated, red indicator, NEMA 1 enclosure

2510FG1P

Product availability : Stock - Normally stocked in distribution facility

**Price\* : 135.56 USD**

## Main

Product	Single Unit Manual Starter
Type	F
Overload Relay Type	Melting alloy

## Complementary

Current Rating	16 A
Cable entry	0.5" and 0.75" knock-outs (top and bottom)
Horsepower Rating	1 hp 115 V AC 1 hp 230 V AC 1 hp 277 V AC
Voltage Rating	277 V AC
Number of Poles	1P
Control Unit	Toggle switch
Number of Phases	1 phase
Pilot Light	Red indicator
Reset	Manual
Motor starter type	Non reversing
Electrical Connection	Screw clamp terminals
Wire Gauge	AWG 14...AWG 12 copper
Height	4.25 in (107.95 mm)
Width	2.44 in (61.98 mm)
Depth	2.75 in (69.85 mm)
Net Weight	0.79 lb(US) (0.36 kg)

## Environment

Product Certifications	UL listed file E42243 CCN NLRV CSA LR25490 class 3211 05
NEMA Enclosure Rating	NEMA 1 Plastic standard size

\* Price is "List Price" and may be subject to a trade discount – check with your local distributor or retailer for actual price.

## Ordering and shipping details

Category	21101-2510,2511,2512 F
Discount Schedule	CP1
GTIN	785901553946
Returnability	Yes
Country of origin	MX

## Packing Units

Unit Type of Package 1	PCE
Number of Units in Package 1	1
Package 1 Height	2.60 in (6.6 cm)
Package 1 Width	3.11 in (7.9 cm)
Package 1 Length	4.80 in (12.2 cm)
Package 1 Weight	12.80 oz (362.9 g)

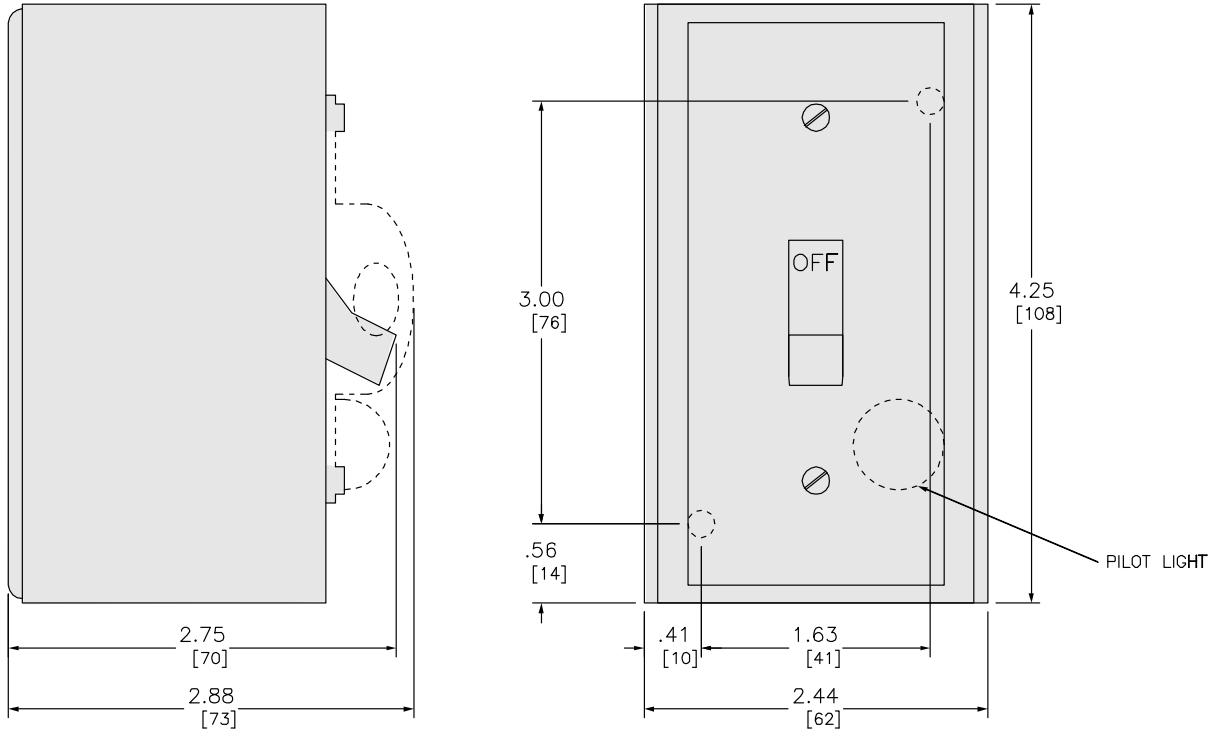
## Offer Sustainability

California proposition 65	WARNING: This product can expose you to chemicals including: Lead and lead compounds, which is known to the State of California to cause cancer and birth defects or other reproductive harm. For more information go to <a href="http://www.P65Warnings.ca.gov">www.P65Warnings.ca.gov</a>
REACH Regulation	<a href="#">REACH Declaration</a>
REACH free of SVHC	Yes
EU RoHS Directive	Not compliant
China RoHS Regulation	<a href="#">China RoHS declaration</a> Product out of China RoHS scope. Substance declaration for your information.
PVC free	Yes

## Contractual warranty

Warranty	18 months
----------	-----------

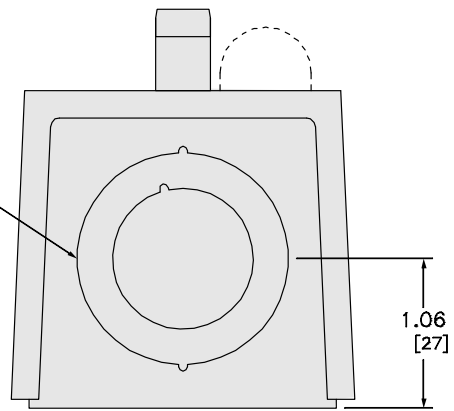
**Dimensions**



in.  
[mm]

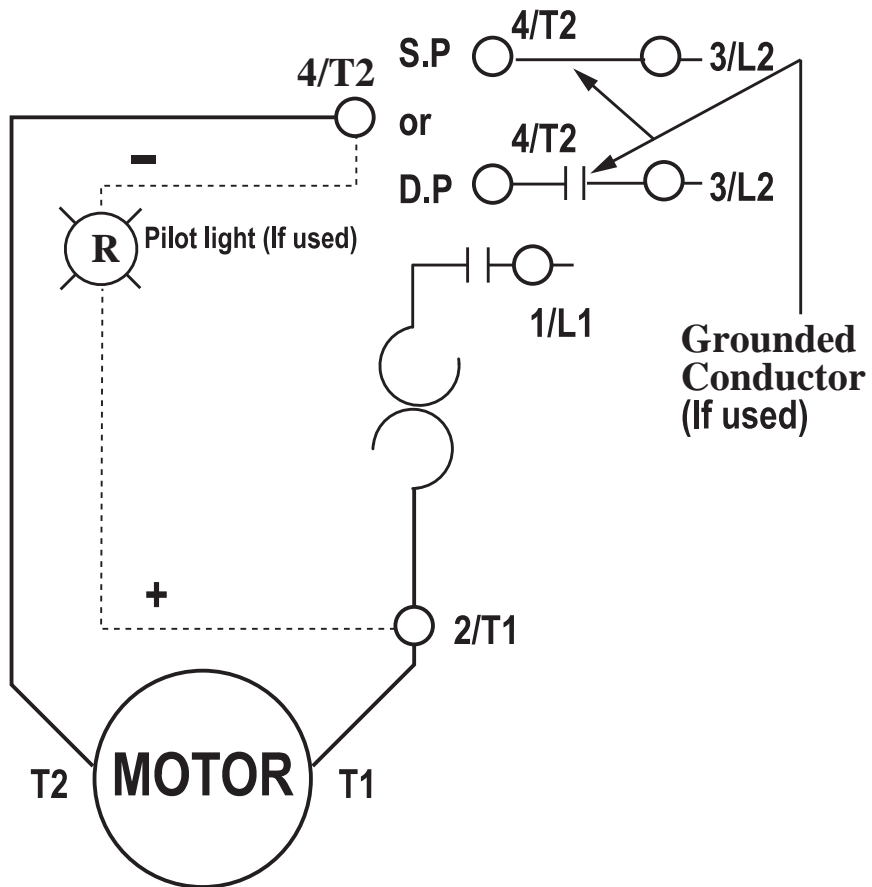
.50 - .75 CONDUIT KNOCKOUT  
[13] - [19] BOTH ENDS

NO PILOT LIGHT	RED PILOT LIGHT	GREEN PILOT LIGHT
2510FG1	2510FG1 P	2510FG1PG
2510FG2	2510FG2 P	2510FG2PG
2510FG5	2510FG5 P	2510FG5PG
2510FG6	2510FG6 P	2510FG6PG



ALL DIMENSIONS ARE APPROXIMATE.  
 REFER TO TECHNICAL DRAWING AND TECHNICAL DOCUMENTS FOR COMPLETE INFORMATION.

Wiring Diagram



REFER TO INSTRUCTION SHEET AND  
TECHNICAL DOCUMENTATION FOR COMPLETE INFORMATION

Recommended replacement(s)