

CODE NUMBER

3912751

DESCRIPTION

0.5 gpf, Polished Chrome Finish, 0.75 Flush Connection, Fixture Connection Top Spud, Single Flush, 0.75" Inlet, 3/4" Control Stop, True Mechanical Override, Hardwired, Infrared, Royal® Exposed Sensor Urinal Flushometer.

DETAILS

- Flush Volume: 0.5 gpf (1.9 Lpf)
- Finish: Polished Chrome (CP)
- Power Type: Hardwired
- Battery Life: 3 years
- Valve: Diaphragm
- Valve Body Material: Semi-red Brass
- Fixture Type: Urinal
- Fixture Connection: Top Spud
- Rough-In Dimension: 11 ½" (292mm)
- Spud Coupling: ¾" (19mm)
- Supply Pipe: ¾" (19mm)
- Override: True Mechanical (TMO)
- Control Stop: 3/4"
- Inlet: 0.75"
- Flush Connection: 0.75

FEATURES

- True Mechanical Override Flush Button
- "User in View" Flashing LED
- 72-Hour Sentinel Flush
- 3/4" IPS screwdriver Bak-Chek® angle stop with vandal resistant stop cap
- Sweat Solder Adapter w/Cover Tube and Cast Wall Flange with Set Screw
- No External Volume Adjustment to Ensure Water Conservation
- Handle Packing, Main Seat, Stop Seat and Vacuum Breaker Molded from PERMEX® Rubber Compound for Chloramine resistance
- Infrared Sensor with Multiple-focused, Lobular Sensing Fields for high and low target detection



COMPLIANCES & CERTIFICATIONS



(ADA Compliant, BAA Compliant, BABAA Compliant, BREEAM Water Credit, cUPC Green Certified, cUPC Certified, UL Certified, UPC Certified, Green Globes Water Credit, LEED V4 Water Efficiency Credit, WaterSense Listed, Satisfies LEED Credits)

RECOMMENDED SPECIFICATION

Valve Body, Cover, Tailpiece and Control Stop shall be in conformance with ASTM Alloy Classification for Semi- Red Brass. Valve shall be in compliance with the applicable sections of ASSE 1037 and ANSI/ASME 112.19.2.

ELECTRICAL SPECIFICATIONS

- Battery Life: 3 years
- Flush Delay: 1s
- Sensor Range: 15" - 30" (381 - 762mm)
- Transformers (specify separately):
 - EL-386 (Up to 1 flushometer)
 - EL-451 (up to 6 flushometers)

VALVE OPERATING PRESSURE (FLOWING)

15-80 PSI (103-552 kPa). Specific fixtures may require greater minimum flowing pressure - consult manufacturer requirements.

DOWNLOADS

- [EBV-500/550-A Installation Instructions](#)
- [Royal Exposed Installation Instructions](#)
- [Royal Exposed Spanish Installation Instructions](#)
- [EL-700/750-A Installation Instructions](#)
- [Control Stop Repair and Maintenance Guide](#)
- [Flush Connections Flanges Repair and Maintenance Guide](#)
- [Tail Piece Repair and Maintenance Guide](#)
- [Royal Manual Diaphragm Flushometer Repair and](#)

Sloan 10500 Seymour Ave, Franklin Park, IL 60131

Phone: 800.982.5839 • Fax: 800.447.8329 • sloan.com

[Maintenance Guide](#)

- [EBV500/EBV550 Repair and Maintenance Guide](#)
- [Additional Downloads](#)

NOTES

All information contained within this document subject to change without notice.

Looking for other variations of the ROYAL 186 SFSM product? [View the general spec sheet with all options.](#)

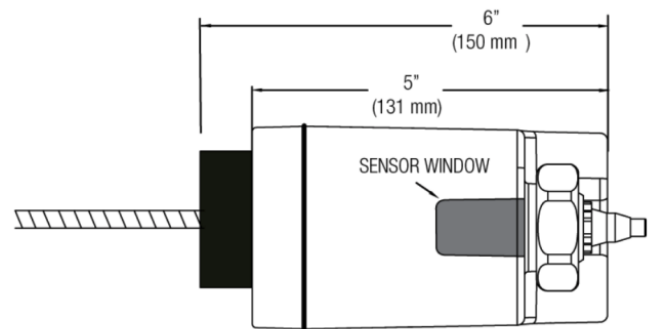
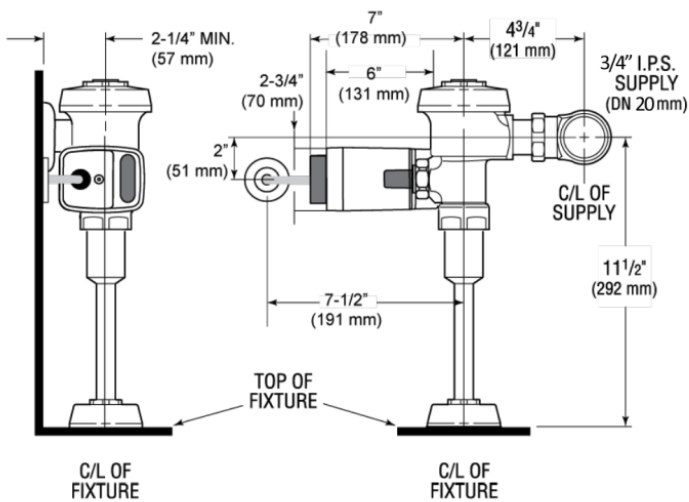
WaterSense compliant when used with a WaterSense compliant fixture

Battery life varies according to actual usage and restroom conditions.

WARRANTY

[View Warranty Information](#)

ROUGH-IN



Sloan 10500 Seymour Ave, Franklin Park, IL 60131

Phone: 800.982.5839 • Fax: 800.447.8329 • sloan.com